

RECORD OF SURVEY

LOCATED IN THE COLUMBIA RIVER GORGE NATIONAL SCENIC AREA,
SECTIONS 1 & 12, T.2 N., R.9 E., AND SECTION 6, T. 2 N., R. 10 E., W.M.
HOOD RIVER COUNTY, STATE OF OREGON
MAY 2024

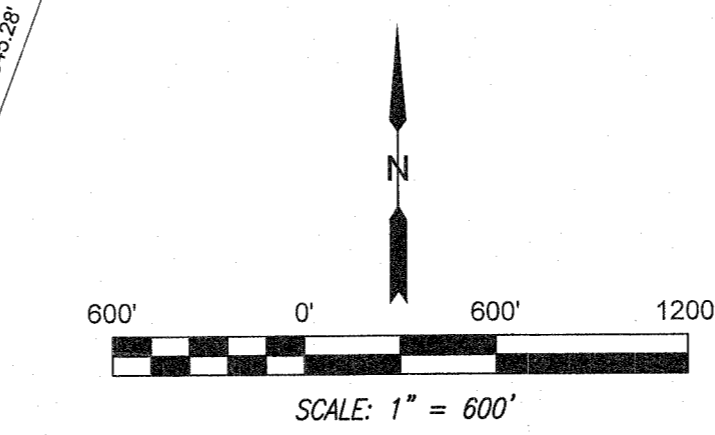
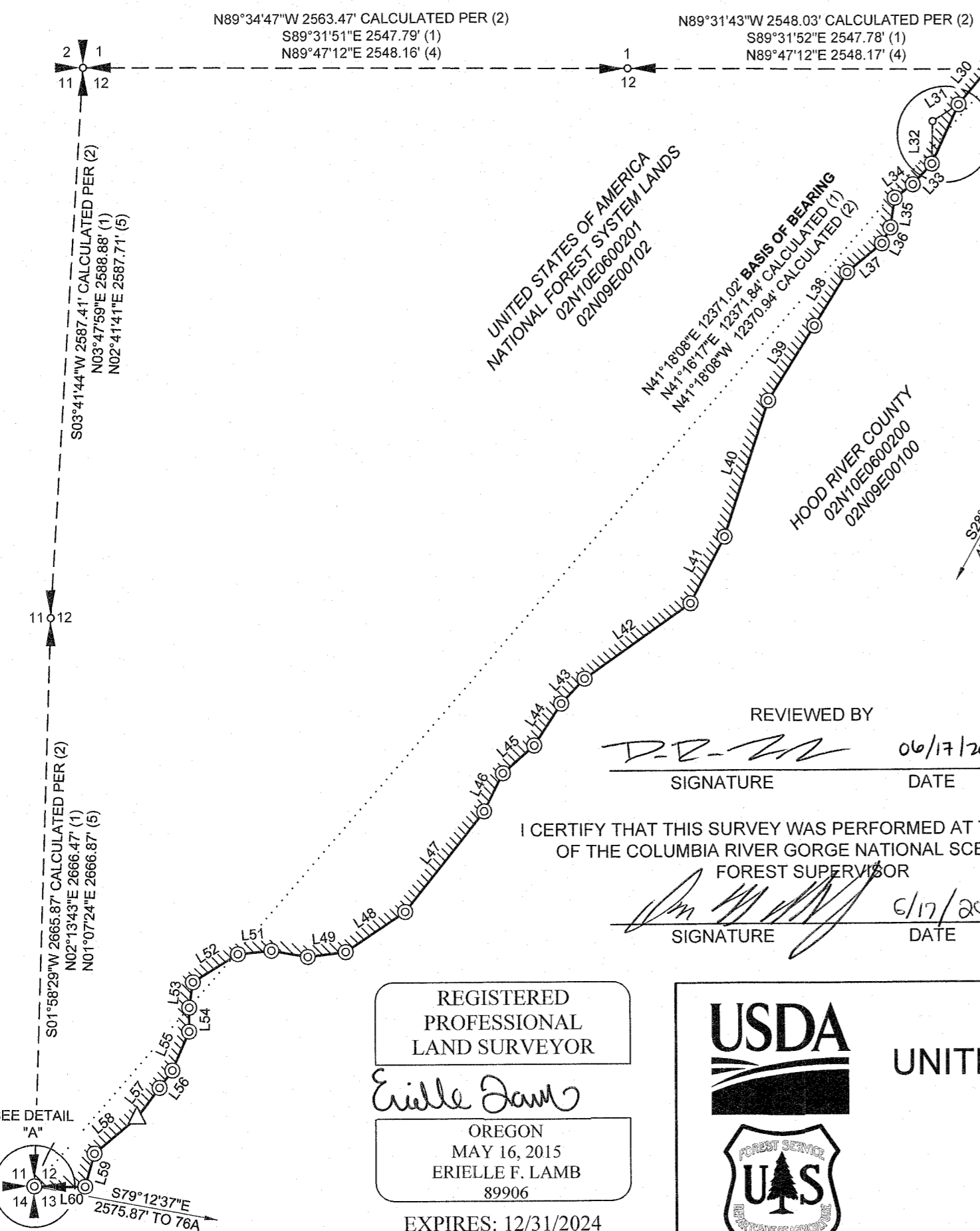
HOOD RIVER COUNTY
SURVEYOR'S OFFICE

SURVEY NO. 2024032
FILED 6/20/2024
BY ML

SHEET INDEX

1. BASIS OF BEARING, CONTROL COORDINATES, LEGEND, FOREST SERVICE APPROVAL, SHEET INDEX
2. PURPOSE, METHOD AND PROCEDURE, SURVEYOR'S REPORT, MONUMENTATION DETAILS, SURVEY REFERENCES AND DETAILS "A" THROUGH "C"

PT #	NORTHING	EASTING	DESCRIPTION
76A	729632.631	7911117.662	FOUND 5/8" REBAR WITH 2" ALUMINUM CAP MARKED "MITCHELL 4 2020" CONTROL POINT 122 PER CS 2022022
102	733593.406	7913310.480	FOUND 5/8" REBAR, ADDED RED PLASTIC CAP MARKED "USFS CONTROL" CONTROL POINT 121 PER CS2022022
103	736866.280	7914666.858	FOUND 5/8" REBAR WITH RED PLASTIC CAP MARKED "MGS CONTROL" CONTROL POINT 123 PER CS2022022
132	737871.047	7916291.875	FOUND 5/8" REBAR WITH RED PLASTIC CAP MARKED "MGS CONTROL" CONTROL POINT 138 PER CS2022022



REVIEWED BY
[Signature] 06/17/2024
SIGNATURE DATE

I CERTIFY THAT THIS SURVEY WAS PERFORMED AT THE REQUEST OF THE COLUMBIA RIVER GORGE NATIONAL SCENIC AREA FOREST SUPERVISOR
[Signature] 6/17/2024
SIGNATURE DATE

REGISTERED PROFESSIONAL LAND SURVEYOR
Erielle Lamb
OREGON
MAY 16, 2015
ERIELLE F. LAMB
89906
EXPIRES: 12/31/2024



UNITED STATES DEPARTMENT OF AGRICULTURE
FOREST SERVICE- REGION 6
COLUMBIA LANDS ZONE
987 McCLELLAN ROAD
VANCOUVER, WA 98661

DRAWN BY: EFL
CALC BY: EFL
CHECK BY: DRL
SHEET 1 OF 2

- LEGEND**
- FOUND 5/8" REBAR WITH OR WITHOUT PLASTIC CAP MARKED "COUNTY SURVEYOR", OR MONUMENT AS NOTED (DECEMBER 2023-APRIL 2024)
 - SET 5/8" REBAR WITH PINK PLASTIC CAP MARKED "OR PLS 89906", MAY 1-2nd, 2024
 - CALCULATED POINT, NO MONUMENT SET
 - CONTROL POINT, RECOVERED FROM CS2022022
 - PROPERTY BOUNDARY MARKED WITH 6" ALUMINUM POSTS AND 54-2 PROPERTY BOUNDARY SIGN, APPROX. 150' INTERVALS
 - CALCULATED LINE
 - BASIS OF BEARING
 - CONTROL TIE LINE
 - CS COUNTY SURVEYOR
 - (#) SURVEY REFERENCE NUMBER, SEE SHEET 2

LINE	BEARING	DISTANCE	BEARING (1)	DISTANCE (1)
L1	N 03°23'22" E	166.42	S 03°18'55" W	166.51
L2	N 33°44'22" E	137.77	S 33°46'54" W	137.89
L3	N 28°44'36" E	274.11	S 28°44'42" W	274.39
L4	S 21°26'40" E	166.42	S 21°32'00" E	166.27
L5	N 06°26'48" E	134.12	S 06°20'00" W	134.10
L6	N 14°41'53" E	113.81	S 14°44'56" W	113.85
L7	N 60°03'17" E	145.65	S 60°06'22" W	145.70
L8	N 77°44'43" E	182.54	S 77°43'09" W	182.50
L9	N 68°21'58" E	61.15	S 68°20'59" W	61.02
L10	N 37°01'34" E	189.63	S 37°03'25" W	189.61
L11	N 23°41'22" E	254.21	S 23°41'30" W	254.22
L12	N 16°40'50" E	98.03	S 16°40'56" W	98.03
L13	N 42°53'50" E	197.31	S 42°53'56" W	197.31
L14	N 53°28'26" E	76.63	S 53°26'36" W	76.61
L15	N 64°20'49" E	104.24	S 64°22'56" W	104.34
L16	S 72°59'21" E	89.11	N 72°50'44" W	89.00
L17	S 63°54'42" E	224.42	N 61°01'29" W	224.51
L18	S 44°28'03" E	262.17	N 44°21'29" W	262.13
L19	N 38°25'57" E	793.63	S 38°27'34" W	793.74
L20	N 49°09'05" E	224.23	S 49°09'04" W	224.26
L21	N 63°21'43" E	105.28	S 63°23'03" W	105.29
L22	N 88°38'15" E	268.04	S 88°39'36" W	268.07
L23	N 45°29'06" E	234.13	S 45°27'11" W	234.04
L24	N 79°40'19" E	249.50	S 79°41'56" W	249.58
L25	S 81°39'42" E	573.63	N 81°39'04" W	573.61
L26	N 33°52'16" E	263.84	S 33°54'54" W	264.03
L27	N 07°59'28" E	564.50	S 07°59'39" W	564.57
L28	N 47°17'55" E	688.46	S 47°18'09" W	688.59
L29	N 42°20'54" E	467.67	S 42°21'44" W	467.48
L30	N 39°48'06" E	232.61	S 39°48'02" W	232.59
L31	L30 TO L33 (SEE DETAIL B)		S 74°40'29" W	145.33
L32	N 24°38'21" E	304.39	S 01°12'35" W	199.07
L33	N 42°57'30" E	132.28	S 42°53'36" W	132.22
L34	N 53°50'24" E	105.91	S 53°48'13" W	105.85
L35	N 08°37'01" E	140.13	S 08°36'57" W	140.22
L36	N 28°44'20" E	84.69	S 28°02'24" W	85.44
L37	N 60°43'38" E	212.56	S 50°46'33" W	212.44
L38	N 31°49'19" E	294.35	S 31°51'53" W	294.44
L39	N 32°02'41" E	413.53	S 32°04'08" W	413.22
L40	N 18°09'40" E	672.30	S 18°12'18" W	672.72
L41	N 27°30'39" E	349.41	S 27°33'38" W	349.50
L42	N 55°00'01" E	611.37	S 55°03'28" W	611.34
L43	N 43°25'15" E	160.44	S 43°28'57" W	160.43
L44	N 33°22'09" E	232.77	S 33°25'17" W	232.86
L45	N 49°08'46" E	196.67	S 49°13'17" W	196.66
L46	N 26°36'44" E	199.33	S 26°40'02" W	199.43
L47	N 38°38'47" E	599.93	S 38°41'16" W	599.86
L48	N 66°29'56" E	337.14	S 56°33'02" W	337.16
L49	N 83°10'01" E	179.51	S 83°14'41" W	179.57
L50	S 80°07'49" E	173.98	N 80°03'29" W	173.99
L51	N 84°33'12" E	158.42	S 84°34'13" W	158.47
L52	N 58°27'01" E	250.10	S 58°28'21" W	250.03
L53	N 08°33'41" E	120.67	S 08°38'28" W	120.59
L54	N 00°24'51" E	112.45	S 00°30'27" W	112.62
L55	N 23°39'40" E	199.52	S 23°41'16" W	199.36
L56	N 37°00'20" E	100.69	S 36°58'47" W	100.61
L57	N 37°29'12" E	176.39	S 37°28'35" W	176.53
L58	N 50°34'05" E	259.69	S 50°33'29" W	259.91
L59	N 16°09'52" E	161.77	S 16°07'18" W	161.58
L60	N 89°53'35" W	238.99	N 89°37'44" W	239.61

CS# 2024 032

SURVEY NO. 2024032
FILED 6/20/2024
BY BL

RECORD OF SURVEY

LOCATED IN THE COLUMBIA RIVER GORGE NATIONAL SCENIC AREA,
SECTIONS 1 & 12, T.2 N., R.9 E., AND SECTION 6, T. 2 N., R. 10 E., W.M.
HOOD RIVER COUNTY, STATE OF OREGON
MAY 2024

PURPOSE

THE PURPOSE OF THIS SURVEY IS TO POST AND MONUMENT A PORTION OF NATIONAL FOREST SYSTEM LANDS IN THE COLUMBIA RIVER GORGE NATIONAL SCENIC AREA. THE LANDS SURVEYED ARE PORTIONS OF SECTION 6, T. 2 N., R. 10 E. AND PORTIONS OF SECTIONS 1 & 12, T. 2 N., R. 9 E., W. M.

METHOD AND PROCEDURE

CONTROL FOR THIS PROJECT WAS SET BY MINISTER & GLAESER SURVEYING IN CS2022022 UNDER CONTRACT FOR THE USDA FOREST SERVICE. FOREST SERVICE CREWS REOBSERVED CONTROL POINTS. PRIMARY CONTROL WAS ESTABLISHED USING A STATIC SESSION AT POINT 76A AND POST-PROCESSED THROUGH THE ONLINE POSITIONING USER SERVICE (OPUS) AND TRIMBLE BUSINESS CENTER. ALL GPS WORK WAS PERFORMED WITH TRIMBLE R12 & R10 BASES (3MM+0.5PPM RMS). RTK VECTORS WERE COLLECTED TO OTHER PRIMARY CONTROL POINTS 102, 103 & 132 AND BASELINES PROCESSED IN TRIMBLE BUSINESS CENTER. ALL OTHER POINTS WERE THEN COLLECTED USING RTK FROM SINGLE BASE RECEIVERS.

COORDINATES SHOWN ARE OREGON STATE PLANE NORTH NAD83(2011) (EPOCH 2010.0000). DISTANCES SHOWN HEREON ARE GRID DISTANCES IN INTERNATIONAL FEET, BEARINGS SHOWN HEREON ARE GRID BEARINGS. COMBINED SCALE FACTOR AT CONTROL POINT 76A IS 0.99982214 AND THE CONVERGENCE ANGLE AT POINT 76A IS -0°48'26". DATA OBTAINED FROM NGS OPUS DERIVED SOLUTIONS UTILIZING THE FOLLOWING CORS STATIONS:

PID	DESIGNATION
DH7993	GOBS_PNGA_WA1997
DP8354	SHANIKO_OR2005
DH4131	MSH_SESLPEVA2004

BEARINGS AND DISTANCES TO BEARING TREES WERE TAKEN WITH A HAND COMPASS (MAGNETIC DECLINATION 16°E) AND MEASURED TO A MAG NAIL AND WASHER SIDE-CENTER.

MONUMENTS SET IN THIS SURVEY CONSIST OF 5/8" REBAR WITH PINK PLASTIC CAP MARKED "OR PLS 89906". STANDARD 54-3 BEARING TREE SIGNS WERE ATTACHED TO THE FRONT AND 54-9 LAND SURVEY MONUMENT SIGNS ATTACHED TO THE BACK OF ALL BEARING TREES. STANDARD 54-2 PROPERTY BOUNDARY AND 54-9 LAND SURVEY MONUMENT SIGNS WERE PLACED ON ALUMINUM POSTS WITHIN 5' OF THE PROPERTY BOUNDARY LINE MONUMENTS. BOUNDARY POSTS ARE SET AT APPROXIMATE 150' INTERVALS ALONG THE INDICATED LINE AND TREES WITHIN 3' EACH SIDE OF THE BOUNDARY WERE BLAZED. TREES ON THE GOVERNMENT SIDE ARE BLAZED WITH 2 QUARTER BLAZES, TREES ON PRIVATE SIDE ARE BLAZED WITH 1 QUARTER BLAZE. TREES THAT ARE ON THE BOUNDARY LINE HAVE 1 QUARTER BLAZE AND 2 AXE HACKS ON LINE.

SURVEYOR'S REPORT

BOUNDARY RESOLUTION:

- THIS SURVEY UPHELD MONUMENTS SET BY CS1999099. CS1999099 WAS THE BASIS FOR THE LAND CONVEYANCE FROM HOOD RIVER COUNTY TO UNITED STATES OF AMERICA, DOCUMENT NUMBER 20011681, HOOD RIVER COUNTY RECORDS.
- THE PRIMARY BOUNDARY MARKED IS "THE TOP OF A RIDGE" AS STATED BY BOTH CS1999099 AND VESTING DEED 20011681.
- 54 ANGLE POINTS SET IN CS1999099 WERE RECOVERED AND 5 ANGLE POINTS WERE RESET. IT WAS DETERMINED THAT THE ANGLE POINT BETWEEN L31 & L32 DID NOT MATCH THE EXISTING RIDGE LINE AND IF LEFT OUT, THE LINE FROM L30 TO L33 BETTER FIT THE TOP OF RIDGE (SEE DETAIL "B"). THIS MOVES THE BOUNDARY APPROXIMATELY 100' EASTERLY. REMOVING THIS ANGLE POINT ALSO FITS CURRENT LAND MANAGEMENT BETWEEN THE TWO OWNERS.
- THE SECTION CORNER COMMON TO SECTIONS 11, 12, 13 & 14 WAS ACCEPTED AS REMONUMENTED BY DAN RENTON IN CS2022022. THE BASE OF THE 1/2" IRON PIPE SET BY HENRY HACKETT IS IN THE SAME LOCATION AS THE BASE OF THE ALUMINUM MONUMENT. WE ADDED A ROCK COLLAR TO THE ALUMINUM MONUMENT AND LEFT THE 1/2" IRON PIPE AS AN ACCESSORY TO THE ALUMINUM MONUMENT.
- THE RIDGE LINE IN THE AREA OF L19 DEVIATED EASTERLY APPROXIMATELY 200' (SEE DETAIL "C"). NO RIDGE LINE EXISTED ALONG THE STRAIGHT LINE L19. IN ORDER TO PRESERVE THE INTENT OF THE RIDGE LINE CALL IN THE LEGAL DESCRIPTION, THE TRUE RIDGE LINE WAS POSTED AND BLAZED. THIS ALSO FITS CURRENT LAND MANAGEMENT BETWEEN THE TWO OWNERS.

MONUMENT DETAILS

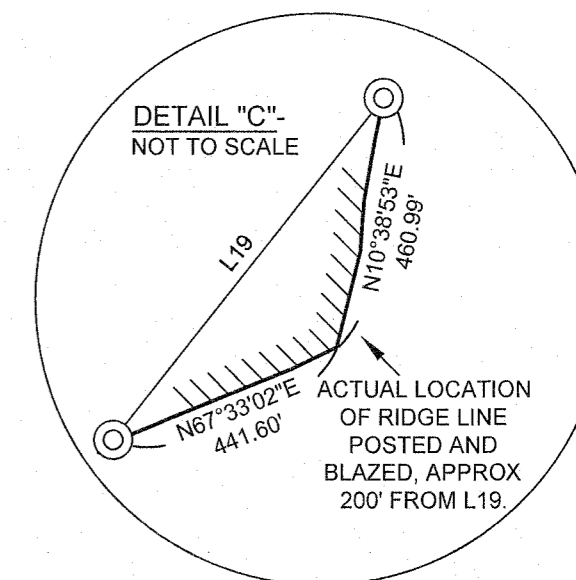
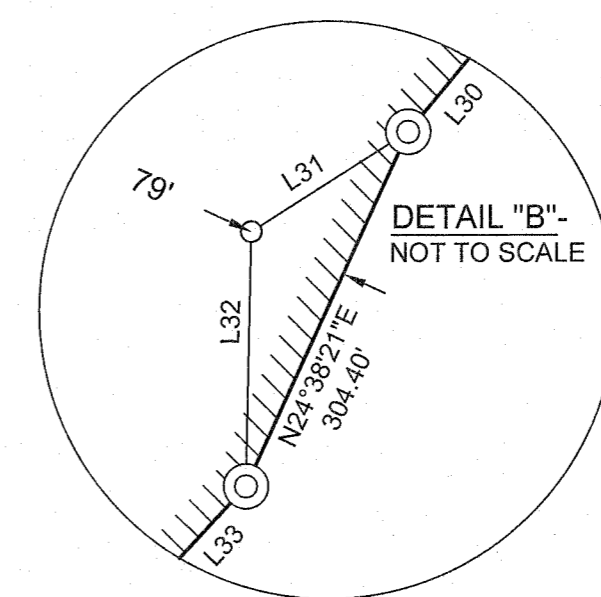
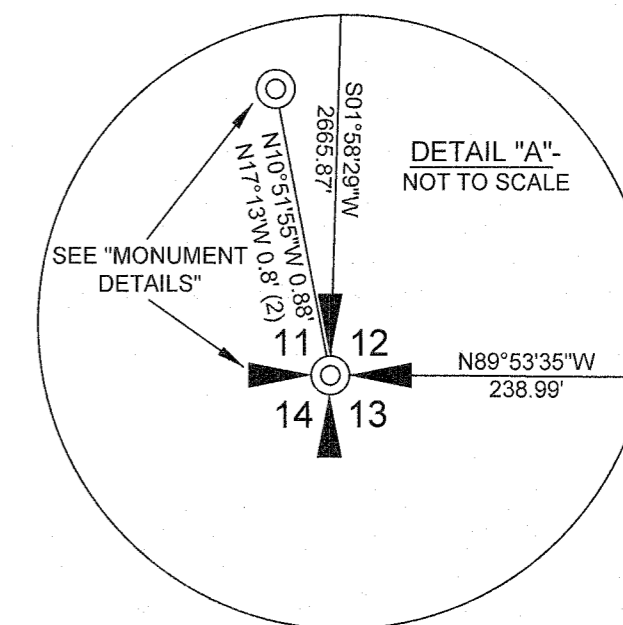
SECTION CORNER COMMON TO SECTIONS 11, 12, 13 & 14, T. 2 N., R. 9 E.
1880- WILLIAM P. WRIGHT, UNDER CONTRACT NUMBER 367, MARKED A 36" FIR FOR THE CORNER TO SECTIONS 11, 12, 13 & 14.
40" FIR BEARS S60°W 22 LINKS
40" FIR BEARS S58°E 28 LINKS
40" FIR BEARS NORTH 3 LINKS
1946- VAN B. EMBREE FOUND 6x6" SQUARED TREE
30" DOUG FIR SNAG BEARS N30°E 55' MARKED "S12 B.T."
36" DOUG FIR (GROWN OVER) BEARS S10°E 90'
30" DOUG FIR (GROWN OVER) BEARS S80°W 80'
34" DOUG FIR BEARS N40°W 75' MARKED "S"
NOTES IN FOREST SERVICE CORNER CARD "NOT BELIEVED TO BE A GENUINE CORNER"
1979- CORNER CARD #378 SHOWS SET 2" IP WITH BRASS CAP
1980- CORNER CARD #378 SHOWS TAGGED AND SCRIBED 3 NEW BT'S
10" DOUG FIR BEARS N52°E 27'
18" DOUG FIR BEARS S40°W 19'
10" DOUG FIR BEARS N70°W 10.5'
1999- CORNER CARD #378 STATES "VISITED THIS CORNER IN AUGUST 1999: 1-1/2" PIPE GONE. FOUND 1/2" IP AS PER HENRY HACKETT"
CS1999099 STATES FOUND 1/2" IRON PIPE AS PER HENRY HACKETT, ALSO FOUND REMAINS OF G.L.O. BT AGREEING WITH ORIGINAL NOTES
2022- CS2022022 FOUND 1/2" IRON PIPE, 0.2' ABOVE GROUND, LEANING NORTHWEST, NOT ACCEPTED. SET 3-1/4" STANDARD USDA FOREST SERVICE ALUMINUM MONUMENT FROM EXISTING BEARING TREES.
FOUND:
1/2" IRON PIPE BEARS N17°13'W 0.8'
ERODED 28" SNAG BEARS N51°W 10.7' WITH HEALED/ROTTED BLAZE
ERODED 12" FIR BEARS FIR STUMP BEARS N41°W, BROKEN TREE FOUND WITH PARTIAL SCRIBE
24" ROTTED STUMP BEARS S40°W 18.8'
12" FIR BEARS N50°E 37.3' WITH HEALED BLAZE
MARKED:
11" FIR BEARS S85°W 5.45' MARKED "SCT2NR9ES14BT" WITH BRASS WASHER
9" FIR BEARS S13°E 15.5' MARKED "SCT2NR9ES13BT" WITH BRASS WASHER
26" FIR BEARS N14°W 7.7' MARKED "SCT2NR9ES11BT" WITH BRASS WASHER
2024- FOUND 3-1/4" STANDARD USDA ALUMINUM MONUMENT AS SET IN CS2022022 AND 1/2" IRON PIPE LEANING NORTHWEST, 0.2' BELOW GROUND N10°51'55"W 0.88' FROM ALUMINUM MONUMENT. BASE OF 1/2" IRON PIPE IS AT THE SAME LOCATION OF THE BASE OF THE 3-1/4" ALUMINUM MONUMENT. MAINTAINED ALUMINUM MONUMENT AS PERPETUATION OF ORIGINAL LOCATION OF 1/2" IRON PIPE. ADDED ROCK COLLAR AROUND ALUMINUM MONUMENT.
REMEASURED BEARING TREES
10" DOUG FIR WITH OPEN BLAZE BEARS S8°E 15.4' TO MAG NAIL LEFT SIDE-CENTER
12" DOUG FIR WITH OPEN BLAZE BEARS S85°W 5.35' TO NAIL AND TAG IN FACE OF TREE
20" DOUG FIR WITH OPEN BLAZE BEARS N17°W 7.65' TO MAG NAIL LEFT SIDE-CENTER
12" SNAG WITH HEALED BLAZE BEARS N53°E 37.4' TO MAG NAIL RIGHT SIDE-CENTER
ROTTED STUMP BEARS S40°W 19.69' TO CENTER OF STUMP
ROTTED STUMP BEARS N70°W 10.75' TO CENTER OF STUMP
31" ROTTED FIR SNAG, 20' TALL, BEARS N52°W 66.8' TO BASE OF OPEN SCRIBE
1/2" IRON PIPE BEARS N10°51'55"W 0.88', LEANING NORTHWESTERLY
NEW BEARING OBJECT
SET 5/8" REBAR WITH PINK PLASTIC CAP MARKED "OR PLS 89906" BEARS N45°E 5'
SET GUARD POST ON PROPERTY BOUNDARY LINE WEST OF MONUMENT

SURVEY REFERENCES

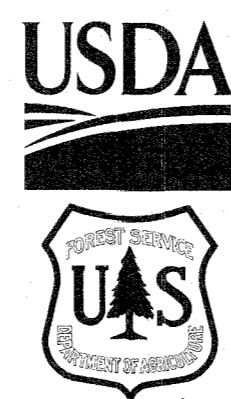
- CS1999099- HOOD RIVER COUNTY SURVEY BY RICHARD ARNOLD FOR COLUMBIA RIVER GORGE NATIONAL SCENIC AREA AND HOOD RIVER COUNTY FILED DECEMBER 15, 1999
- CS2022022- MINISTER-GLAESER SURVEY BY DAN RENTON FOR USDA FOREST SERVICE FILED APRIL 20, 2022
- CS1990057- HOOD RIVER COUNTY SURVEY BY RICHARD ARNOLD FOR HOOD RIVER COUNTY FORESTRY FILED JULY 1990
- CS1977109- HOOD RIVER COUNTY SURVEY BY ANTHONY KLEIN FOR HOOD RIVER COUNTY FORESTRY FILED FEBRUARY 7, 1978
- CS1980064- HOOD RIVER COUNTY SURVEY BY ANTHONY KLEIN FOR HOOD RIVER COUNTY AND USFS FILED JUNE 23, 1980
- CS2012017- KLEIN & ASSOCIATES, INC SURVEY BY JAMES KLEIN FOR HOOD RIVER COUNTY FORESTRY JUNE 20, 2012

DEED REFERENCES

- BARGAIN AND SALE DEED FROM HOOD RIVER COUNTY TO UNITED STATES OF AMERICA, RECORDED APRIL 30TH, 2001, DOCUMENT NUMBER 20011681, HOOD RIVER COUNTY RECORDS



REGISTERED
PROFESSIONAL
LAND SURVEYOR
Erielle Lamb
OREGON
MAY 16, 2015
ERIELLE F. LAMB
89906
EXPIRES: 12/31/2024



UNITED STATES DEPARTMENT OF AGRICULTURE
FOREST SERVICE- REGION 6
COLUMBIA LANDS ZONE
987 McCLELLAN ROAD
VANCOUVER, WA 98661

DRAWN BY: EFL
CALC BY: EFL
CHECK BY: DRL

SHEET 2 OF 2