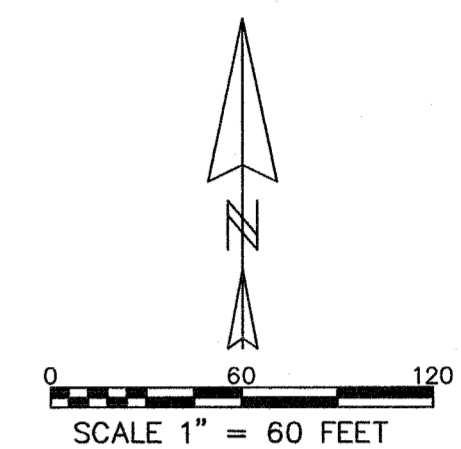


HOOD RIVER COUNTY
 SURVEYOR'S OFFICE
 SURVEY NO. 2021 007
 FILED DATE: 1/13/2021
 BY: KD

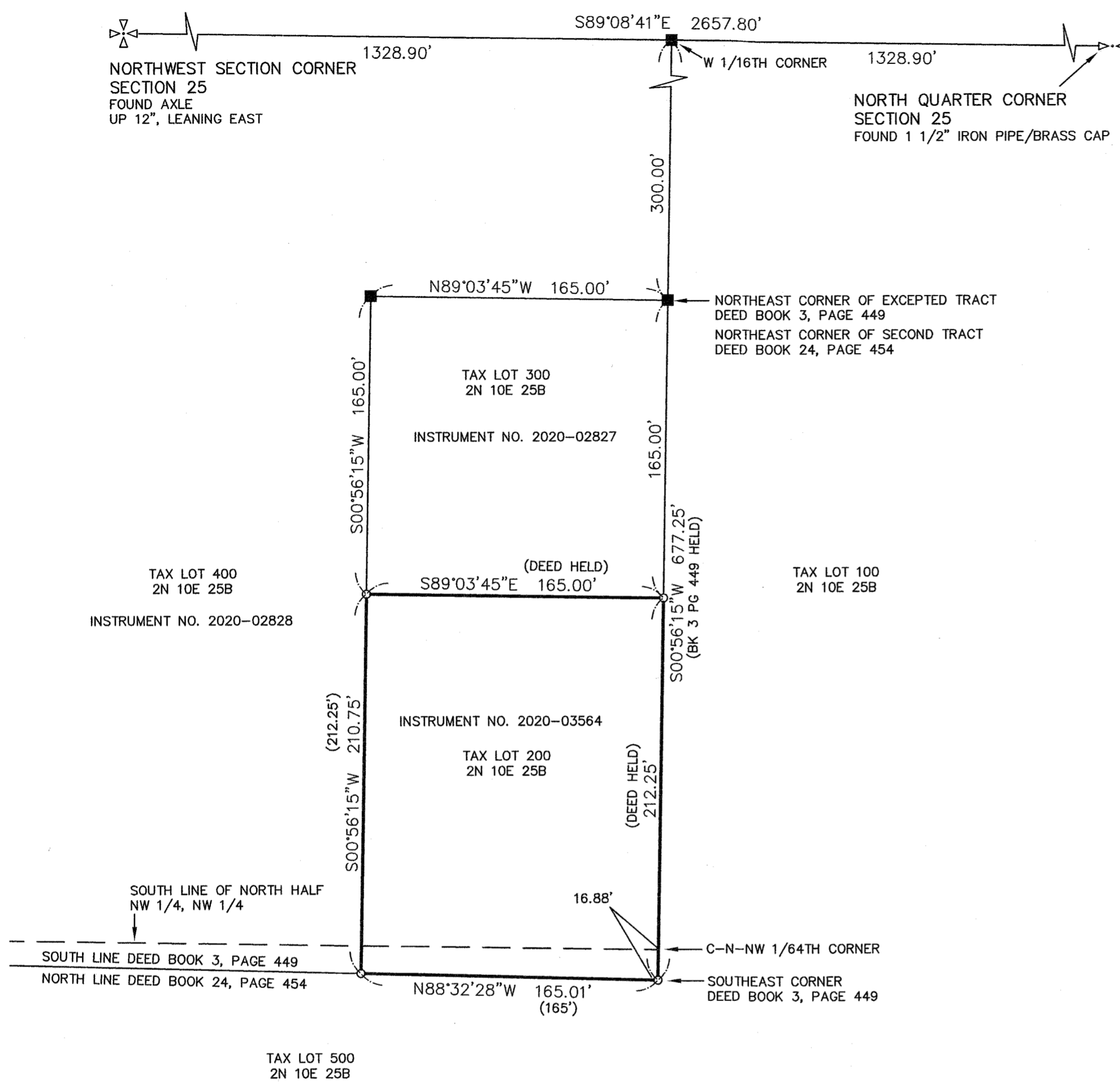


REGISTERED
 PROFESSIONAL
 LAND SURVEYOR

Kevin Dowd

OREGON
 JULY 26, 1989
 KEVIN DOWD
 2393

RENEW DATE: 12-31-21
 JANUARY 8, 2021



NARRATIVE

THE PURPOSE OF THIS SURVEY IS TO ESTABLISH THE BOUNDARIES OF THAT TRACT OF LAND DESCRIBED IN DEED RECORDED AS INSTRUMENT NO. 2020-03564. THE DEED DESCRIPTION DESCRIBES THE SOUTH LINE AS BEING ALONG THE SOUTH LINE OF THE FRIDAY TRACT AS DESCRIBED IN DEED BOOK 3, PAGE 449. DEED RESEARCH DISCOVERED THAT DATING BACK TO DOCUMENT NO. 690775 AND NO. 782416 CERTAIN DEEDS DESCRIBE THIS LINE AS BEING ALONG THE LINE BETWEEN THE NORTH AND SOUTH HALVES OF THE QUARTER-QUARTER SECTION. THE LINE AS DESCRIBED BY THE FRIDAY DEED WOULD BE THE SENIOR LINE. CORRECTION DEEDS WERE RECORDED FOR TAX LOTS 200, 300 AND 400 2N 10E 25B TO CLARIFY THIS. DEED CALLS WERE HELD AS SHOWN TO ESTABLISH THE BOUNDARIES.

LEGEND

- SET 5/8" X 30" IRON ROD WITH YELLOW PLASTIC CAP MARKED "WYEAST LS 2393" ON DECEMBER 1, 2020
- CALCULATED POSITION
- (xxx) DEED OR RECORD DATA

RECORD OF SURVEY

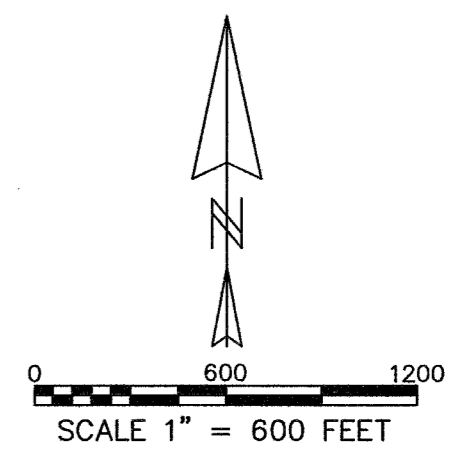
LOCATED IN THE NORTHWEST QUARTER OF SECTION 25 TOWNSHIP 2 NORTH, RANGE 10 EAST, W.M. HOOD RIVER COUNTY, OREGON

FOR: GOE LIVING TRUST
 STEVE AND VICKI AUSTIN

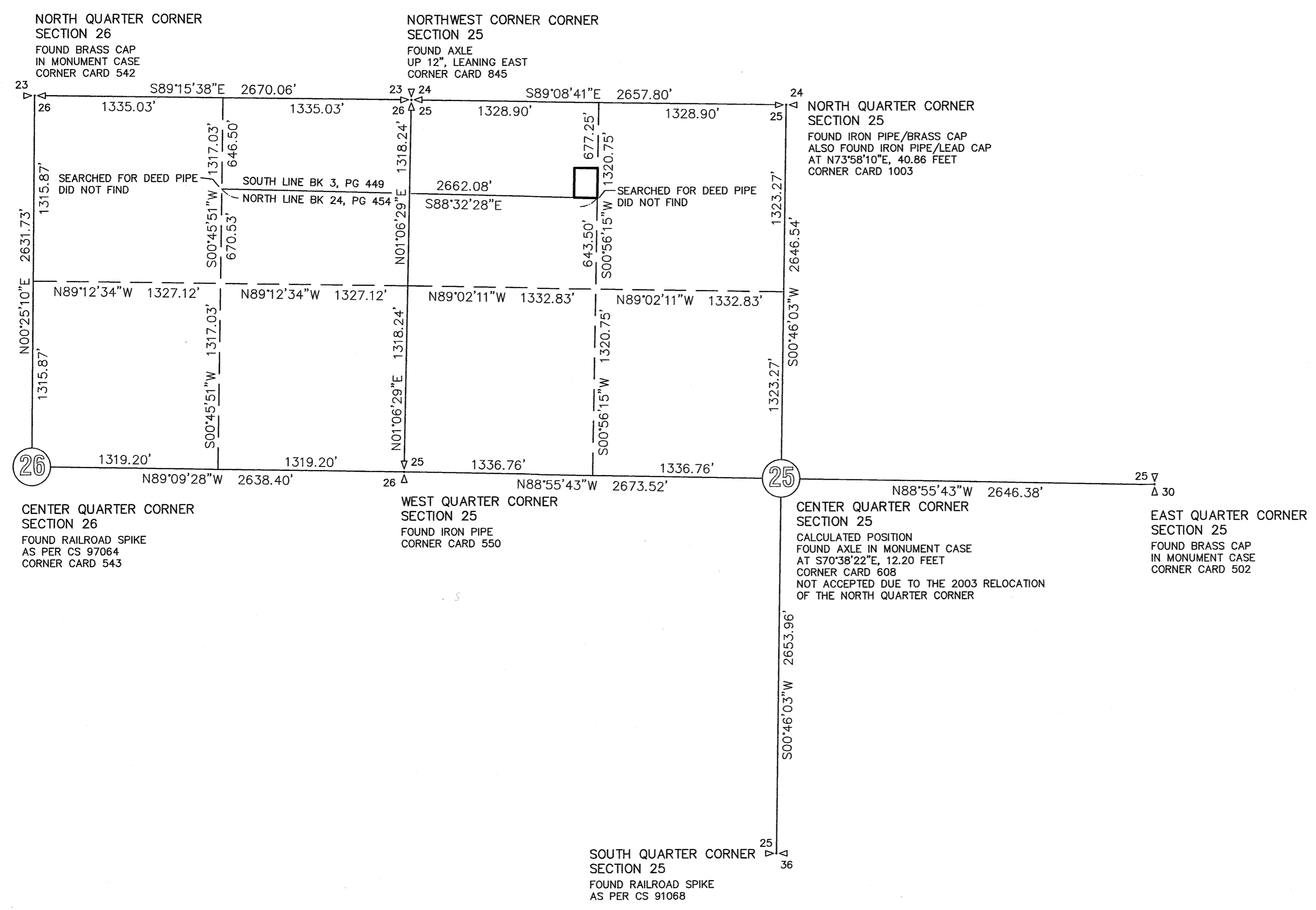
WYEAST SURVEYS
 KEVIN DOWD
 4399 WOODWORTH DR.
 MT HOOD-PARKDALE OR, 97041
 (541) 362-6065

CS# 2021 007

HOOD RIVER COUNTY
 SURVEYOR'S OFFICE
 SURVEY NO. 2021 007
 FILED DATE: 1/13/2021
 BY: BL



REGISTERED
 PROFESSIONAL
 LAND SURVEYOR
Kevin Dowd
 OREGON
 JULY 26, 1989
 KEVIN DOWD
 2393
 RENEW DATE: 12-31-21
 JANUARY 8, 2021



BASIS OF BEARING:
 THE EAST-WEST CENTER OF SECTION 25 LINE BETWEEN MONUMENTS FOUND AT
 THE EAST AND WEST QUARTER CORNERS AS PER CS 2019013.

REFERENCES

- R1) CS 7203, SURVEY BY NORMAN A. NEWTON LS 654 FOR KEN FOSTER, FILED JANUARY 17, 1972
- R2) CS 78039, SURVEY BY DANNY L. CRON LS 1028 FOR JULES STANTON, FILED MAY, 1978
- R3) CS 91068, SURVEY BY DANNY L. CRON LS 1028 FOR TARA JOHNSON, FILED SEPTEMBER 20, 1991
- R4) CS 97064, PARTITION PLAT 9725, SURVEY BY ROY O. GAYLORD LS 1815 FOR DENNIS E. BLOOM, FILED NOVEMBER 24, 1977
- R5) CS 2003027, SURVEY BY ROY O. GAYLORD LS 1815 FOR HANEL DEVELOPMENT GROUP, LLC, FILED APRIL 17, 2003
- R6) CS 2019013, SURVEY BY KEVIN DOWD LS 2393 FOR DICK AND CHRISTIE REED, FILED FEBRUARY 21, 2019

RECORD OF SURVEY

LOCATED IN THE NORTHWEST QUARTER
 OF SECTION 25
 TOWNSHIP 2 NORTH, RANGE 10 EAST, W.M.
 HOOD RIVER COUNTY, OREGON

FOR: GOE LIVING TRUST
 STEVE AND VICKI AUSTIN

WYEAST SURVEYS
 KEVIN DOWD
 4399 WOODWORTH DR.
 MT HOOD-PARKDALE OR, 97041
 (541) 362-6065