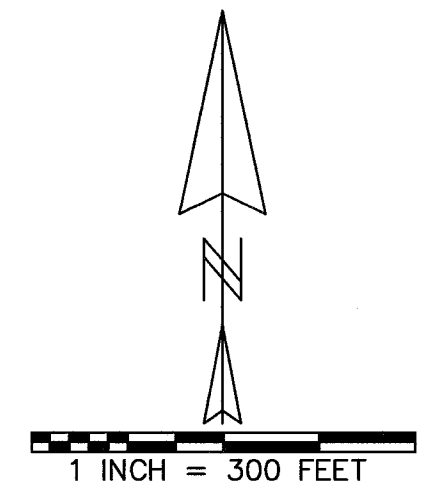


HOOD RIVER COUNTY
SURVEYOR'S OFFICE
SURVEY NO. *CS 2014 018*
FILED DATE: *6/26/14*
BY: *RJ*

NARRATIVE

THE PURPOSE OF THIS SURVEY IS TO ESTABLISH THE NORTH LINE OF THE SOUTHWEST QUARTER OF THE SOUTHWEST QUARTER AND THE NORTH LINE OF THE SOUTHWEST QUARTER OF THE SOUTHWEST QUARTER OF SECTION 14. MONUMENTS FOUND AT THE SOUTHWEST SECTION CORNER, SOUTH QUARTER CORNER AND WEST QUARTER CORNER TOGETHER WITH A CALCULATED POSITION OF THE CENTER QUARTER CORNER WERE USED FOR A SUBDIVISION OF THE SOUTHWEST QUARTER INTO ALIQUOT PARTS. IRON RODS SET BY CS 2007 123 WERE FOUND TO ESTABLISH THE NORTH LINE OF THE SOUTHWEST QUARTER OF THE SOUTHWEST QUARTER.



REGISTERED
PROFESSIONAL
LAND SURVEYOR
Kevin Dowd
OREGON
JULY 26, 1989
KEVIN DOWD
2393
RENEW DATE: 12-31-15
MAY 21, 2014

DATE OF FIRST MONUMENTATION: APRIL 15, 2014

LEGEND

- SET 5/8" X 30" IRON ROD WITH YELLOW PLASTIC CAP MARKED "WYEAST LS 2393"
- FOUND IRON ROD AS PER CS 2007 123
- CALCULATED POSITION

RECORD OF SURVEY

LOCATED IN THE SOUTH HALF OF SECTION 14
T2 NORTH, R10 EAST, W.M.
HOOD RIVER COUNTY, OREGON

FOR: GALE ORCHARDS, INC.
ROY WEBSTER ORCHARDS, INC.

WYEAST SURVEYS
KEVIN DOWD
4399 WOODWORTH DR.
MT HOOD, OR 97041
(541) 352-6065

