

TERRA SURVEYING

LOCATION OF SURVEY

LOCATED IN THE NORTHEAST QUARTER OF SECTION 11,  
TOWNSHIP 2 NORTH, RANGE 10 EAST OF THE WILLAMETTE  
MERIDIAN IN HOOD RIVER COUNTY AND STATE OF OREGON.

HOOD RIVER COUNTY  
SURVEYOR'S OFFICE

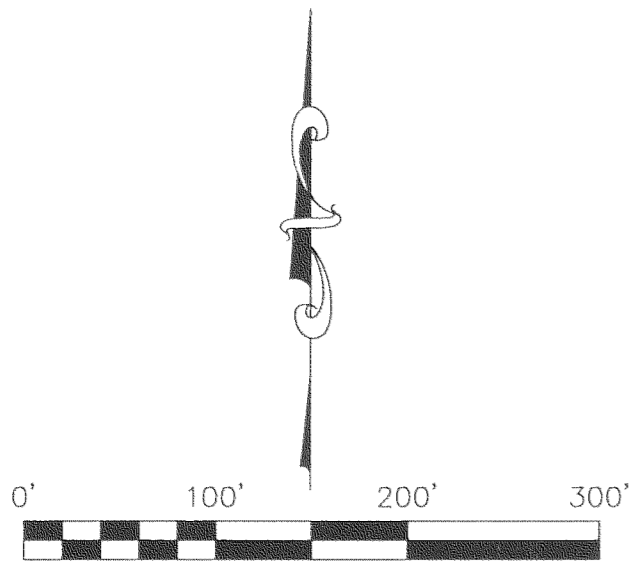
CS# 2012 043

DATE FILED: 10/18/12

BY: *RS*

FOUND 3" BRASS CAP IN MONUMENT  
BOX MONUMENTING THE NORTH  
QUARTER CORNER OF SECTION 11.

FOUND 3" BRASS CAP  
MONUMENTING THE  
NORTHEAST CORNER  
OF SECTION 11.



SCALE: 1" = 100'  
BASIS OF BEARING:  
HOOD RIVER COUNTY SURVEY No. 79030

REGISTERED  
PROFESSIONAL  
LAND SURVEYOR

*Erik M. Carlson*

OREGON  
DECEMBER 30, 2005  
ERIK M. CARLSON  
72306

Expires: December, 2013

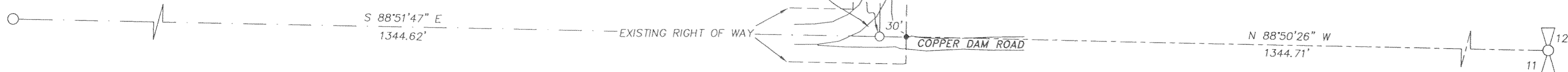
NARRATIVE:

THE PURPOSE OF THIS SURVEY IS TO MONUMENT THE DEDICATED RIGHT OF WAY OF ORCHARD ROAD. ORCHARD ROAD HAS BEEN VACATED TO ALLOW FOR THE SHIFT AND EXTENSION OF THE KEN JERNSTEDT RUNWAY. AT EACH END OF THE VACATION THE COUNTY CONFIGURED AREAS FOR TRAFFIC TO TURN AROUND. THE CORNERS OF THESE AREA ARE MONUMENTED ON THIS SURVEY. THE BASIS OF BEARING FOR THIS SURVEY IS SHOWN ON THE NORTH LINE OF THE NORTH EAST QUARTER OF SECTION 11, BOTH MONUMENTS ARE IN GOOD SHAPE AND MATCH CLOSELY WITH RECORD DISTANCES.

LINE	BEARING	DISTANCE
L1	N 00°48'57" E	196.75'
L2	S 89°11'03" E	50.00'
L3	N 00°48'57" E	60.00'
L4	N 89°11'03" W	50.00'
L5	S 00°48'57" W	60.00'
L6	N 89°11'03" W	30.00'
L7	N 89°11'03" W	50.00'
L8	N 00°48'57" E	60.00'
L9	S 89°11'03" E	50.00'
L10	S 00°48'57" W	60.00'
L11	N 00°48'57" E	75.39'
L12	S 88°51'47" E	60.00'
L13	S 00°48'57" W	70.00'
L14	S 89°11'03" E	60.00'
L15*	N 22°22'58" W	76.16'
L16*	N 37°34'34" W	96.61'

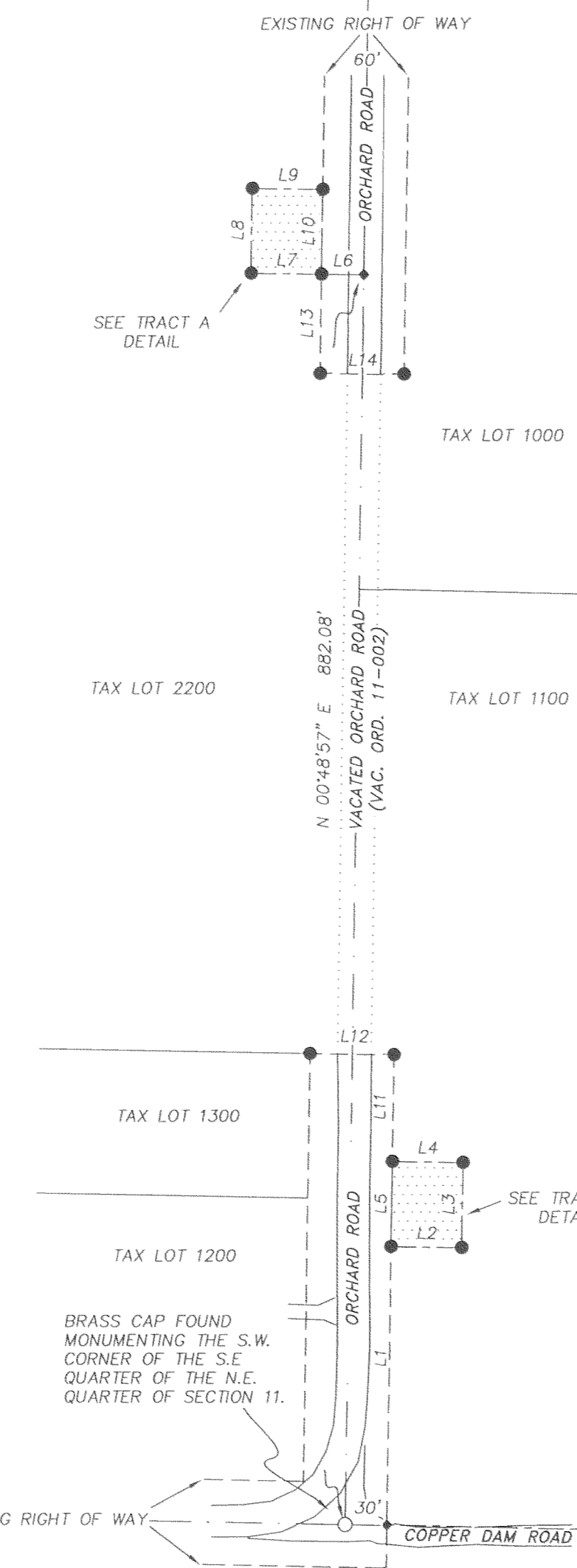
NOTE: \*CLOSURE TIE

FOUND AXLE  
MONUMENTING THE  
CENTER QUARTER OF  
SECTION 11.



- LEGEND:
- FOUND MONUMENT OF RECORD
  - SET 5/8" IRON ROD, L.S. 72306
  - ◆ CALCULATED POSITION

- REFERENCES:
- HOOD RIVER COUNTY SURVEY No. 1389
  - HOOD RIVER COUNTY SURVEY No. 77042
  - HOOD RIVER COUNTY SURVEY No. 79030
  - HOOD RIVER COUNTY SURVEY No. 81082
  - HOOD RIVER COUNTY SURVEY No. 86053
  - HOOD RIVER COUNTY SURVEY No. 92016
  - HOOD RIVER COUNTY SURVEY No. 95057
  - HOOD RIVER COUNTY SURVEY No. 96070
  - HOOD RIVER COUNTY SURVEY No. 2009035

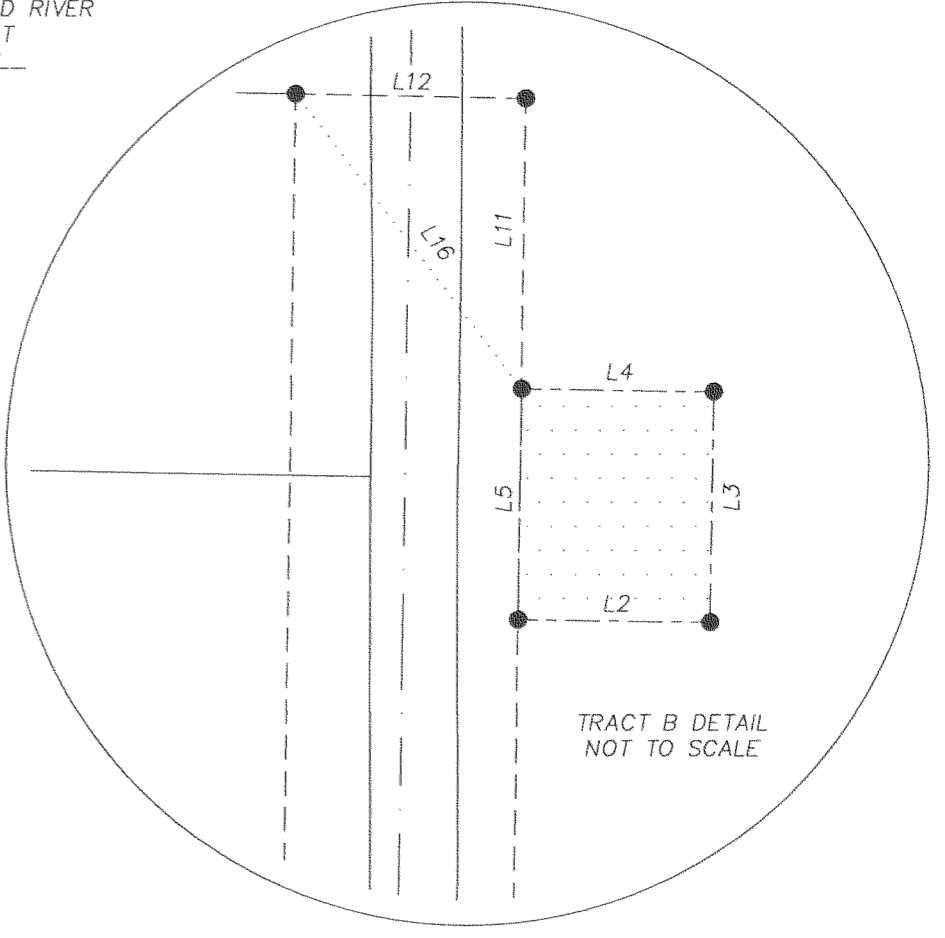
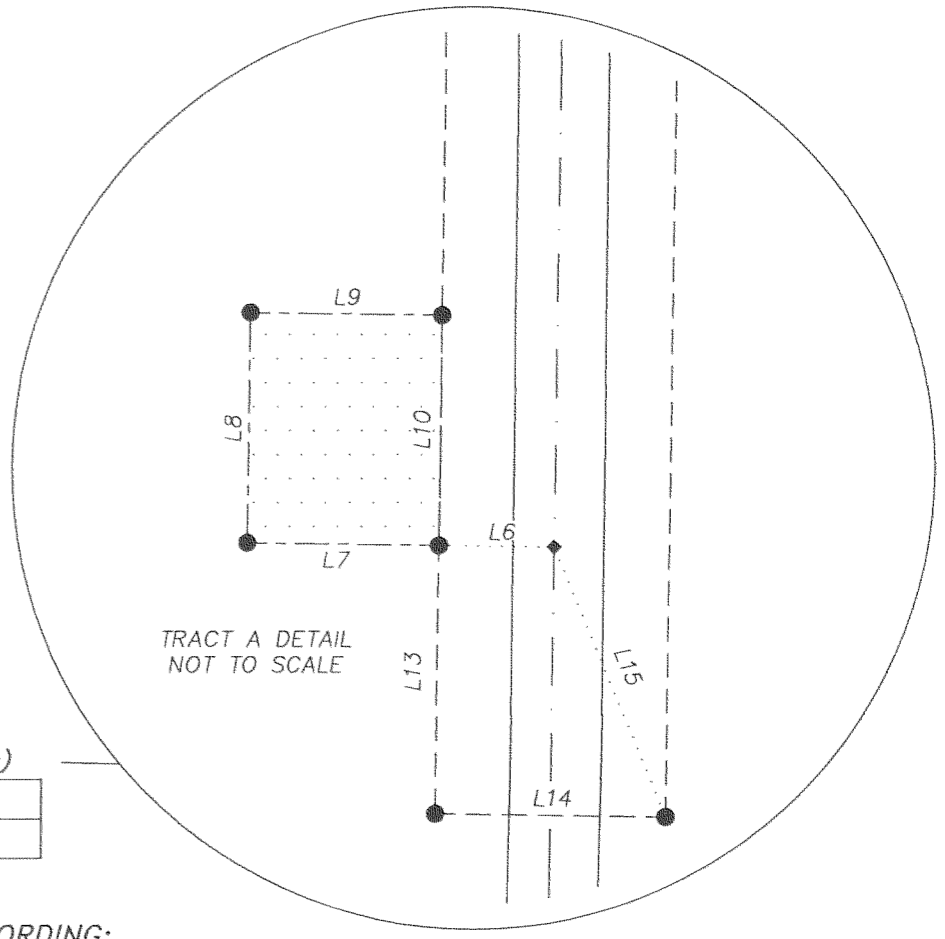


AREA TABLE (Sq.Ft.±)

TRACT A = 3,000
TRACT B = 3,000

DEDICATION RECORDING:

TRACT A AND B HAVE BEEN DEDICATED ON HOOD RIVER COUNTY INSTRUMENT # 2012-03236



RECORD OF SURVEY  
for  
HOOD RIVER COUNTY  
and  
THE PORT OF HOOD RIVER

FOUND 3" BRASS CAP MONUMENTING THE EAST QUARTER CORNER OF SECTION 11. POINT OF COMMENCEMENT,

TERRA SURVEYING

DATE MONUMENTED: SEPTEMBER 13, 2012  
SCALE: 1" = 100'  
PROJECT: 12087BOUND  
ASSESSORS MAP: 2N 10E 11A  
P.O. BOX 617  
HOOD RIVER, OREGON 97031  
PHONE & FAX: (541) 386-4531  
terra@gorge.net  
www.terrandsurveying.com

RECEIVED OCT - 8 2012

CS 2012 043