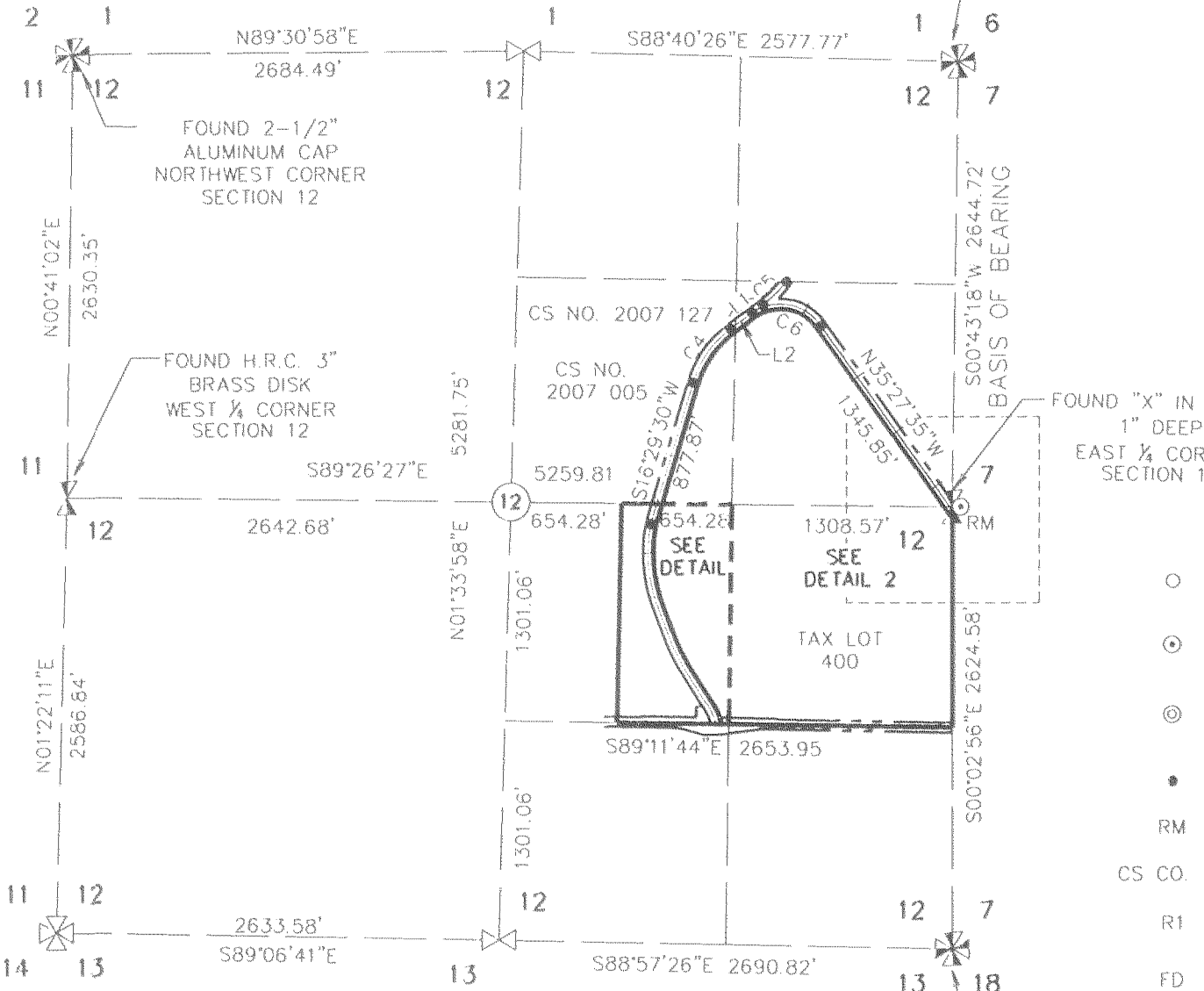
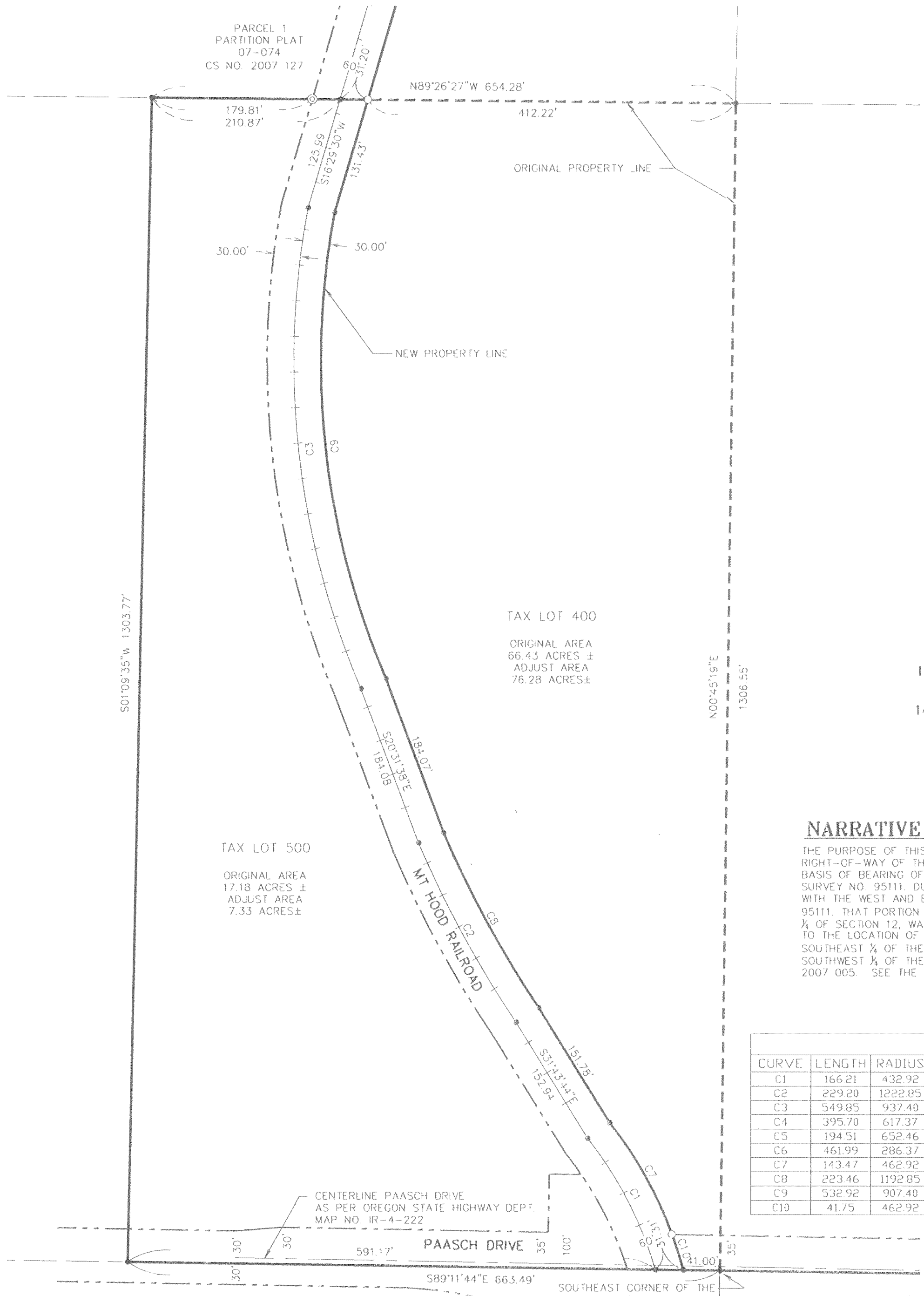


SURVEY NO. CS 2010 032
FILED 8-4-10
BY [Signature]

BOUNDARY LINE ADJUSTMENT

LOCATED IN THE NORTHEAST 1/4 AND THE SOUTHEAST 1/4
SECTION 12, T.2N., R.10E., W.M.
COUNTY OF HOOD RIVER, STATE OF OREGON
2N 10E 12 TAX LOT 400 & 500



BASIS OF BEARINGS

COUNTY SURVEY NO. 95111

LEGEND

- SET 5/8" X 30" REBAR W/ YELLOW PLASTIC CAP (KLEIN & ASSOCIATES OR 59002)
- ⊙ FOUND HOOD RIVER COUNTY 1-1/2" IRON PIPE WITH BRASS DISK, SET FOR REFERENCE MARK TO 1/4 CORNER
- ⊙ FOUND D2AB 5/8" REBAR W/ 2" ALUMINUM CAP FILED AS CS NO. 2007-005
- ANGLE POINT, NOT MONUMENTED
- RM REFERENCE MONUMENT
- CS CO. COUNTY SURVEY NUMBER
- R1 RECORD DATA PER RECORD OF SURVEY, CS NO. 95111
- FD FOUND DATA
- CENTERLINE OF RAILROAD TRACTS, TIED 7-08-2010
- - - EDGE OF RIGHT-OF-WAY

SECTION 12

SCALE - FEET
1" = 1000'

NARRATIVE

THE PURPOSE OF THIS SURVEY IS TO ADJUST THAT PORTION OF TAX LOT 500, LYING EAST OF THE EASTERLY RIGHT-OF-WAY OF THE MT. HOOD RAILROAD WITH TAX LOT 400 OF HOOD RIVER COUNTY ASSESSOR MAP 2N 10E 12. THE BASIS OF BEARING OF THIS SURVEY IS THE EAST LINE OF THE NORTHEAST QUARTER OF SECTION 12, AS PER COUNTY SURVEY NO. 95111. DURING THE COURSE OF THIS SURVEY, THE NORTHWEST, NORTHEAST AND SOUTHEAST CORNERS ALONG WITH THE WEST AND EAST QUARTER CORNERS OF SECTION 12 WERE FOUND AND HELD AS PER SAID COUNTY SURVEY NO. 95111. THAT PORTION OF THE CENTERLINE OF THE MT. HOOD RAILROAD, LYING IN THE NORTHWEST 1/4 OF THE SOUTHEAST 1/4 OF SECTION 12, WAS FIELD TIED ON JULY 8, 2010. DAVIS PAASCH, OWNER OF TAX LOT 400, GAVE PAROLE EVIDENCE TO THE LOCATION OF THAT PORTION OF THE NOW ABANDONED SPUR LINE OF THE MT. HOOD RAILROAD LYING IN THE SOUTHEAST 1/4 OF THE NORTHEAST 1/4 OF SAID SECTION 12. THAT PORTION OF THE MT HOOD RAILROAD LYING IN THE SOUTHWEST 1/4 OF THE NORTHEAST 1/4 OF SAID SECTION 12 WAS COMPUTED AS PER D2AB, FILED AS COUNTY SURVEY NO. 2007 005. SEE THE FACE OF THIS PLAT FOR MONUMENTS FOUND AND/OR ESTABLISHED.

CURVE TABLE					
CURVE	LENGTH	RADIUS	DELTA	CHORD DIRECTION	CHORD LENGTH
C1	166.21	432.92	21°59'49"	N27°25'52"W	165.19
C2	229.20	1222.85	10°44'21"	S28°30'58"E	228.87
C3	549.85	937.40	33°36'28"	S06°16'50"E	542.00
C4	395.70	617.37	36°43'24"	S34°51'11"W	388.96
C5	194.51	652.46	17°04'52"	N44°40'28"E	193.79
C6	461.99	286.37	92°25'55"	N79°10'43"W	413.49
C7	143.47	462.92	17°45'25"	N29°19'49"W	142.89
C8	223.46	1192.85	10°44'00"	S28°32'45"E	223.13
C9	532.92	907.40	33°38'59"	S06°18'05"E	525.29
C10	41.75	462.92	5°10'03"	N17°52'05"W	41.74

LINE TABLE		
LINE	BEARING	LENGTH
L1	N53°12'53"E	239.94
L2	N53°12'53"E	161.42

AREA NOTE

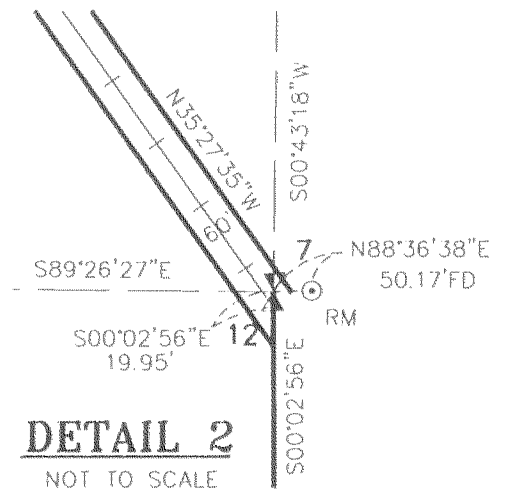
THE AREA COMPUTED DOES NOT INCLUDE THE LAND LYING WITHIN PAASCH DRIVE OR THE AREA LYING WITH THE MT. HOOD RAILROAD.

REFERENCED DEEDS

QUITCLAIM DEED, RECORDED IN INSTRUMENT NO. 2007-04120
WARRANTY DEED, RECORDED IN INSTRUMENT NO. 2001297

REFERENCED SURVEYS

SURVEY PERFORMED BY GERA, FILED AS CS. NO 95111
SURVEY PERFORMED BY D2AB SURVEYING, INC, FILED AS CS NO. 2007 127
SURVEY PERFORMED BY D2AB SURVEYING, INC, FILED AS CS NO. 2007 005
SURVEY PERFORMED BY DLC SURVEYING, FILED AS CS NO. 83015
SURVEY PERFORMED BY NEWTON SURVEYING, FILED AS CS NO. 7209
SURVEY PERFORMED BY MART PERKINS, FILED AS CS NO. 0376
OREGON STATE HIGHWAY DEPT. MAP NO. IR-4-222



DETAIL 2

NOT TO SCALE

REGISTERED
PROFESSIONAL
LAND SURVEYOR

JAMES M. KLEIN
OREGON
JULY 12, 2005
JAMES M. KLEIN
59002

Expires 6-30-2011

KA Klein & ASSOCIATES, INC.
ENGINEERING • LAND SURVEYING • PLANNING

SURVEY PERFORMED FOR:
DAVID PAASCH
MONUMENTED: JULY 8, 2010
PROJECT: 10-06-08
FILE: 100608BLA.DWG
DRAFT: JMK

1308 12th Street, Hood River, Oregon 97031
Tel: (541)386-3322
EMAIL info@kleinassocinc.com

SHEET 1 OF 1
WILLAMETTE MERIDIAN
HOOD RIVER COUNTY, OREGON

1/4 SEC	T.	R.
12	2N.	10E.

KLEIN & ASSOCIATES, MAKES NO WARRANTY AS TO MATTERS OF UNWRITTEN TITLE, ADVERSE POSSESSION, ESTOPPEL, ACQUIESCENCE.

OWNER
DAVID A. PAASCH

DETAIL

SCALE - FEET
1" = 100'

CS 2010 032