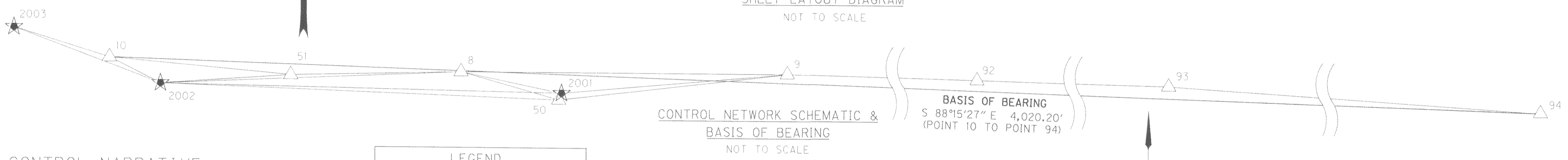


**LEGEND**

- ★ SET GPS STATION
- △ FOUND NETWORK POINT

**SHEET LAYOUT DIAGRAM**  
NOT TO SCALE



**CONTROL NETWORK SCHEMATIC & BASIS OF BEARING**  
NOT TO SCALE

**CONTROL NARRATIVE**

PROJECT: MIDDLE FORK HOOD RIVER BRIDGE DESIGN  
LOCATION: PARKDALE, OREGON  
OBEC PROJECT: 108-114  
SURVEY DATUM:  
HORIZONTAL - PRIMARY HORIZONTAL CONTROL IS BASED ON AN ASSUMED COORDINATE SYSTEM PROVIDED BY THE UNITED STATES FOREST SERVICE.

**NARRATIVE**

THE PURPOSE OF THIS SURVEY IS TO RESOLVE THE FIELD LOCATION OF THE EXISTING RIGHT OF WAY FOR A PORTION OF RED HILL DRIVE IN THE VICINITY OF BRIDGE, WHICH WAS DESTROYED DUE TO FLOODING, CROSSING THE MIDDLE FORK HOOD RIVER IN PARKDALE, OREGON. THIS SURVEY IS ALSO TO PERPETUATE THE LOCATIONS OF ANY EXISTING SURVEY MONUMENTS THAT LIE WITHIN THE PROJECT FOOTPRINT WHICH MAY BE DESTROYED DUE TO FUTURE CONSTRUCTION IMPROVEMENTS. PERPETUATION OF THE MONUMENT LOCATIONS WAS ACCOMPLISHED BY TYING THE MONUMENTS TO THE PROJECT CONTROL NETWORK. THIS SURVEY WAS MADE AT THE REQUEST OF THE UNITED STATES FOREST SERVICE. THIS SURVEY MEETS THE REQUIREMENTS FOR A RECOVERY SURVEY AS OUTLINED IN THE OREGON REVISED STATUTES, CHAPTER 209.155.

THIS SURVEY WAS PERFORMED USING INTERNATIONAL FEET UNITS.

THIS SURVEY WAS PERFORMED IN AUGUST, 2008 THROUGH APRIL, 2009. THE SURVEY EQUIPMENT USED CONSISTED OF TRIMBLE DUAL FREQUENCY GPS RECEIVERS (5700 AND R8), A TRIMBLE S6 ROBOTIC TOTAL STATION, AND TRIMBLE TSC2 DATA COLLECTORS.

**NETWORK POINT TABLE**

PT ID	NORTHING	EASTING	DATE	DESCRIPTION
8	3000.00	4705.75	10/28/08	FOUND ALUMINUM SPIKE
9	3000.00	5000.00	10/28/08	FOUND MAG NAIL W/ FLAGGING
10	3010.60	4389.74	10/28/08	FOUND MAG NAIL W/ FLAGGING
50	2975.50	4794.15	10/28/08	FOUND MAG NAIL W/ FLAGGING
51	2996.05	4552.64	10/28/08	FOUND MAG NAIL W/ FLAGGING
92	2970.67	6315.99	10/28/08	FOUND MAG NAIL W/ FLAGGING
93	2961.90	6795.70	10/28/08	FOUND MAG NAIL W/ FLAGGING
94	2888.36	8408.08	10/28/08	FOUND MAG NAIL W/ FLAGGING
2001	2981.58	4796.51	11/19/08	SET MAG NAIL W/ WASHER "OBEC CONTROL"
2002	2987.79	4435.70	11/19/08	SET MAG NAIL W/ WASHER "OBEC CONTROL"
2003	3037.08	4303.80	11/19/08	SET MAG NAIL W/ WASHER "OBEC CONTROL"

**RED HILL DRIVE (COUNTY ROAD NO. 417)**

THIS RESOLUTION COVERS A PORTION OF RED HILL DRIVE (COUNTY ROAD NO. 417) CROSSING THE MIDDLE FORK HOOD RIVER (FROM OLD PARKDALE ROAD AT RED HILL DRIVE CENTERLINE STATION 0+00.000 POB, WESTERLY TO CENTERLINE STATION 46+00.000 POT, TO ESTABLISH THE CENTERLINE OF RED HILL DRIVE, COMMISSIONER'S JOURNAL VOLUME 2, PAGE 541, FOR THE ESTABLISHMENT OF COUNTY ROAD NO. 417 WAS USED. BASED ON SAID COMMISSIONER'S JOURNAL VOLUME 2, PAGE 541, THE PORTION OF THE CENTERLINE OF RED HILL DRIVE FROM STATION 0+00 TO STATION 39+90 (STATIONING IS BASED ON C.S. 138) IS OFFSET NORTH 20 FEET FROM THE SOUTH 1/16TH LINE OF SECTION 31, TO ESTABLISH SAID SOUTH 1/16TH LINE OF SECTION 31, THE SECTION CORNER FOUND AT THE SOUTHEAST CORNER OF SECTION 31 (POINT 1000), AND THE 1/4 CORNER COMMON TO SECTIONS 31 AND 32 (POINT 1006) WERE TIED AND THE MIDPOINT ON A LINE BETWEEN THEM WAS HELD ALONG WITH THE CENTER SOUTH 1/16TH CORNER OF SECTION 31 (POINT 1007) TO ESTABLISH THE SOUTH 1/16TH LINE IN THE SOUTHEAST QUARTER OF SECTION 31. THE CENTER SOUTH 1/16TH CORNER OF SECTION 31 (POINT 1007) AND THE SOUTH 1/16TH CORNER COMMON TO SECTIONS 31 AND 36 (POINT 1010) WERE HELD TO ESTABLISH THE SOUTH 1/16TH LINE IN THE SOUTHWEST QUARTER OF SECTION 31. THE PORTION OF THE CENTERLINE WESTERLY OF CENTERLINE STATION 39+90 WAS ESTABLISHED BY HOLDING THE RECORD ANGLE IN THE CENTERLINE ALIGNMENT OF 131°14'00" AS DESCRIBED IN COMMISSIONER'S JOURNAL VOLUME 2, PAGE 541 AND SHOWN ON COUNTY SURVEY 138. IT WAS DISCOVERED FROM REVIEW OF THE COMMISSIONER'S JOURNAL VOLUME 2, PAGE 541, COUNTY SURVEY NO. 138, AND BASED ON THE FIELD LOCATION OF RED HILL DRIVE AND MIDDLE FORK HOOD RIVER, THAT THERE APPEARS TO BE A SCRIVINER'S ERROR IN THE CENTERLINE DESCRIPTION OF COUNTY ROAD NO. 417 IN COMMISSIONER'S JOURNAL VOLUME 2, PAGE 541. THE ERROR IS LOCATED WHERE THE RIGHT OF WAY WIDTH CHANGES FROM 30 FEET TO 40 FEET, WHERE A BEARING AND DISTANCE OF WEST 590 FEET IS STATED WHICH SHOULD BE WEST 1590 FEET, BASED ON THE DIFFERENCE IN STATIONING SHOWN ON COUNTY SURVEY 138 FROM CENTERLINE STATION 24+00 TO STATION 39+90. COMMISSIONER'S JOURNAL VOLUME 2, PAGE 541 STATES A RIGHT OF WAY WIDTH OF 30.00 FEET FOR THE PORTION OF COUNTY ROAD NO. 417 FROM CENTERLINE STATION 0+00 TO 24+00, AND A RIGHT OF WAY WIDTH OF 40.00 FEET FROM CENTERLINE STATION 24+00 TO STATION 46+00.

I, BRET N. ELITHORP, STATE THAT THIS SURVEY WAS PREPARED USING HEWLETT-PACKARD PRODUCT #516450 ON CONTINENTAL #JPC4M2 POLYESTER FILM.

[Signature] 6/4/2009  
BRET N. ELITHORP DATE

REGISTERED PROFESSIONAL LAND SURVEYOR

[Signature]  
OREGON  
JAN. 14, 2003  
BRET N. ELITHORP  
#53188  
RENEWAL DATE: DEC. 31, 2009  
SIGNED: 6/4/2009

**SHEET INDEX**

1. SHEET LAYOUT, SHEET INDEX, REFERENCES, NARRATIVE, CONTROL NETWORK, BASIS OF BEARING, CONTROL NARRATIVE
- 2.-6. SURVEY

**REFERENCES**

1. COMMISSIONER'S JOURNAL VOLUME 2, PAGE 541
  2. CS 0138, MAP OF A PROPOSED COUNTY ROAD THROUGH R.J. McISSAC'S PROPERTY, BY C.M. HURLBURT
  3. CS 77040 BY LARRY D. BISHOP, FILED APR. 26, 1977
  4. CS 80040 BY DANNY L. CRON FILED JUNE 12, 1980
  5. CS 82058 BY DANNY L. CRON FILED DEC. 2, 1982
  6. CS 86046 BY WILLIAM J. FROST FILED AUG. 29, 1986
  7. CS 99108 BY KEVIN DOWD FILED DEC. 6, 1999
  8. CS 02012 BY JON T. FEIGON FILED MAR. 8, 2002
  9. DEPENDENT RESURVEY, SUBDIVISION OF SECTION 31, BY DANIEL E. WELLER, U.S. DEPARTMENT OF THE INTERIOR, BUREAU OF LAND MANAGEMENT DATED JULY 18, 2003
  10. CS 2007-087 BY JAMES M. KLEIN, FILED AUG. 20, 2007
  11. HOOD RIVER COUNTY SURVEYOR CORNER RESTORATION CARD NO. 648
  12. HOOD RIVER COUNTY SURVEYOR CORNER RESTORATION CARD NO. 1022
- FILE NAME: 108114ret.dgn



**OBEC CONSULTING ENGINEERS**  
www.obec.com

Corporate Office: 920 COUNTRY CLUB ROAD, SUITE 100B, EUGENE, OREGON 97401-6089, 541-683-6090  
2235 MISSION STREET SE, SUITE 100 SALEM, OREGON 97302-1295, 503-589-4100  
831 O'HARE PARKWAY WEDFORD, OREGON 97504-4005, 541-774-5591  
5005 SW MEADOWS ROAD, SUITE 120 LAKE OSWEGO, OREGON 97035, 503-620-6103

**UNITED STATES FOREST SERVICE**

HORIZONTAL CONTROL, RECOVERY AND RETRACEMENT SURVEY  
MIDDLE FORK HOOD RIVER BRIDGE DESIGN  
RED HILL DRIVE  
HOOD RIVER COUNTY

JUNE 4, 2009  
NO SCALE  
SHEET 1 OF 6

J. COLTON OBEC  
APPROVED BY: GROUP MANAGER

DESIGNED: B. ELITHORP  
DRAWN: A. DUPLANT  
CHK'D: J. COLTON

PROJ. NO. 108-114

RECEIVED JUN - 8 2009

CS 2009 027-1

SW 1/4 SEC 31 T1N R10E WM

HOOD RIVER COUNTY  
SURVEYOR'S OFFICE  
SURVEY NO.: CS 2009 027  
FILED: 6.22-09  
BY: [Signature]

THIS POINT BEARS NORTH 1,897.86'  
AND WEST 4,392.31' FROM THE  
SOUTHEAST CORNER OF SEC 31, T1N, R10E, WM  
(POINT 1000)

46+00.000 POT  
(46+00 PI) (1)(2)  
N 3456.091  
E 4049.970

20' (20') (1)  
20' (20') (1)

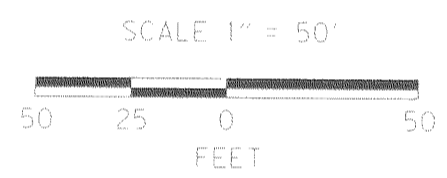
45+00

RED HILL DRIVE  
(COUNTY ROAD NO. 417)

F-20051864

MIDDLE FORK HOOD RIVER  
APPROXIMATE LOCATION  
1/16TH SECTION LINE

N 40°13'42" W  
(N 41°14' W) (1)(2)



F-995552

2003

F-20021738

1010

HELD  
131°14'00" (1)(2)

N 88°59'42" W  
(WEST) (1)  
(N 89°00'45" W) (9)

51 RED HILL DRIVE  
(COUNTY ROAD NO. 417)

20' (20') (1)  
20' (20') (1)

2001

F-800927

40+00

F-800929

39+90.000 PI  
(39+90 PI) (2)  
N 2990.371  
E 4443.930

LEGEND	
(XX)	RECORD DATA PER REFERENCE LIST ON SHEET 1
△	FOUND NETWORK POINT
★	SET GPS POINT
—	RIGHT-OF-WAY
—	PROPERTY LINE
- - -	EDGE OF PAVEMENT

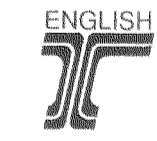
RECOVERED MONUMENT LIST

PT ID	NORTHING	EASTING	STATION	OFFSET	DATE	DESCRIPTION & REFERENCE DOCUMENTS
1010	2994.71	3056.37	N/A	N/A	3/25/09	FD RAILROAD SPIKE, FLUSH, CS 80040

FD = FOUND  
CS = COUNTY SURVEY

REGISTERED PROFESSIONAL LAND SURVEYOR  
*Bret N. Elithorp*  
OREGON  
JAN. 14, 2003  
BRET N. ELITHORP  
#63148

RENEWAL DATE: DEC. 31, 2009  
SIGNED: 6/4/2009



FILE NAME: 108114ret.dgn

**OBEC CONSULTING ENGINEERS**  
www.obec.com  
Corporate Offices: 920 COUNTRY CLUB ROAD, SUITE 100B EUGENE, OREGON 97401-6089, 541-683-6090  
2235 MISSION STREET SE, SUITE 100 SALEM, OREGON 97302-1295, 503-589-4100  
831 O'HARE PARKWAY WEDFORD, OREGON 97504-4005, 541-774-5591  
5005 SW MEADOWS ROAD, SUITE 120 LAKE OSWEGO, OREGON 97035, 503-620-6103

UNITED STATES FOREST SERVICE  
HORIZONTAL CONTROL, RECOVERY AND RETRACEMENT SURVEY  
MIDDLE FORK HOOD RIVER BRIDGE DESIGN  
RED HILL DRIVE  
HOOD RIVER COUNTY

JUNE 4, 2009  
NO SCALE  
SHEET 2 OF 6

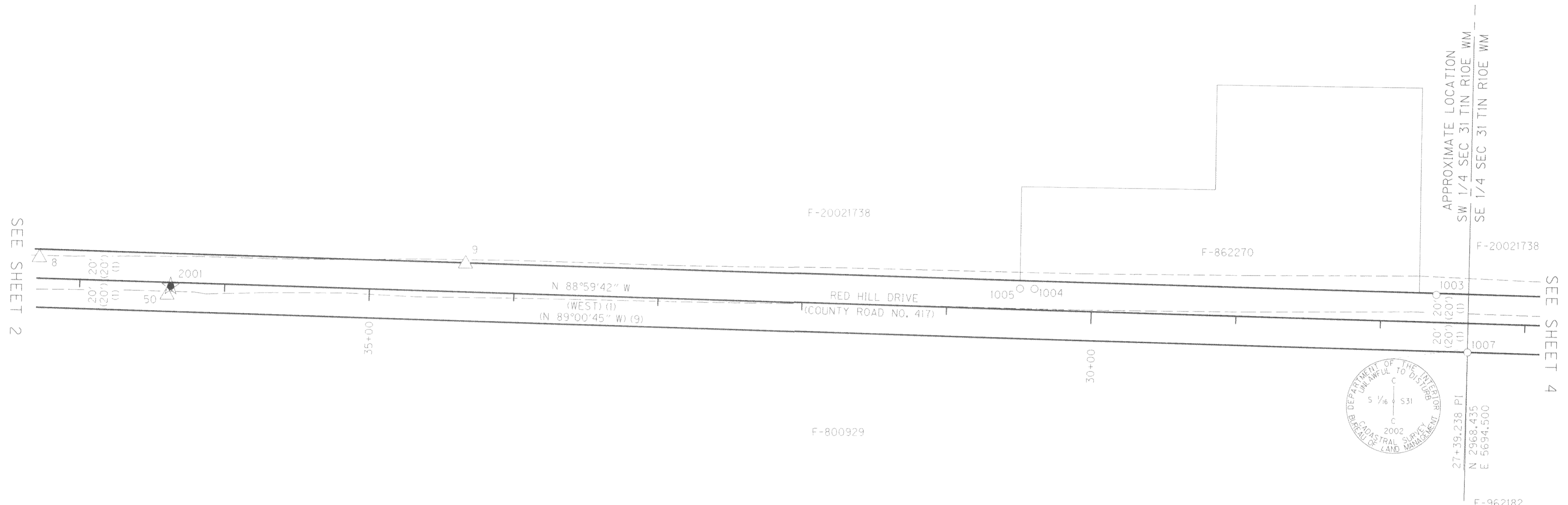
DESIGNED: B. ELITHORP  
DRAWN: A. DUPLANT  
CHK'D: J. COLTON  
PROJ. NO. 108-114

CS 2009 027.2

SEE SHEET 3

SW 1/4 SEC 31 T1N R10E WM  
SE 1/4 SEC 31 T1N R10E WM

HOOD RIVER COUNTY  
SURVEYOR'S OFFICE  
SURVEY NO. CS 2009 027  
FILED: 6-22-09  
BY: [Signature]



SEE SHEET 2

SEE SHEET 4

LEGEND	
(XX)	RECORD DATA PER REFERENCE LIST ON SHEET 1
○	FOUND MONUMENT NOTED IN TABLE
△	FOUND NETWORK POINT
★	SET GPS POINT
—	RIGHT-OF-WAY
—	PROPERTY LINE
- - -	EDGE OF PAVEMENT

RECOVERED MONUMENT LIST

PT ID	NORTHING	EASTING	STATION	OFFSET	DATE	DESCRIPTION & REFERENCE DOCUMENTS
1003	2987.81	5672.15	27+61.92	18.99' RT	11/19/08	FD RAILROAD SPIKE, DN 0.25', CS 82058
1004	2988.32	5394.37	30+39.66	14.71' RT	11/19/08	FD RAILROAD SPIKE, DN 0.25', CS 82058
1005	2988.33	5384.37	30+49.67	14.54' RT	11/19/08	FD SPIKE W/BRASS DISK "WS FROST LS 1971", CS 86046
1007	2948.44	5694.15	27+39.24	20.00' LT	11/19/08	FD 3-1/4" BRASS DISK, UP 0.4', CS 037067

DN = DOWN  
FD = FOUND  
CS = COUNTY SURVEY

REGISTERED PROFESSIONAL LAND SURVEYOR  
*Bret N. Elithorp*  
OREGON  
JAN. 14, 2003  
BRET N. ELITHORP  
#63148

RENEWAL DATE: DEC. 31, 2009  
SIGNED: 6/4/2009

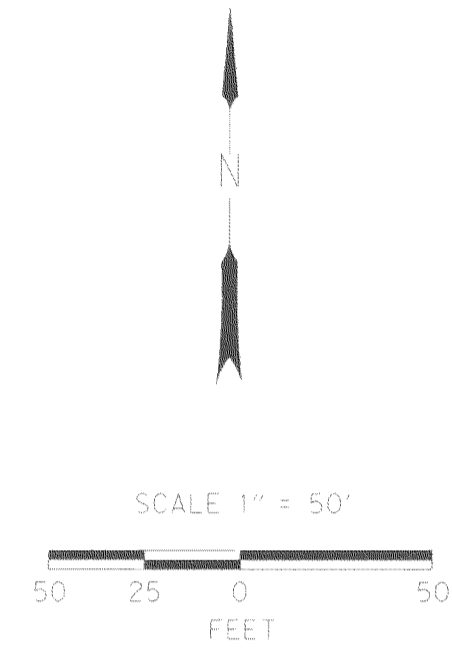
**OBEC CONSULTING ENGINEERS**  
Corporate Office: 920 COUNTRY CLUB ROAD, SUITE 100B EUGENE, OREGON 97401-6089, 541-683-6090  
2235 MISSION STREET SE, SUITE 100 SALEM, OREGON 97302-1295, 503-589-4100  
831 O'HARE PARKWAY MEDFORD, OREGON 97504-4005, 541-774-5591  
5005 SW MEADOWS ROAD, SUITE 120 LAKE OSWEGO, OREGON 97035, 503-620-6103  
www.obec.com

UNITED STATES FOREST SERVICE  
HORIZONTAL CONTROL, RECOVERY AND RETRACEMENT SURVEY  
MIDDLE FORK HOOD RIVER BRIDGE DESIGN  
RED HILL DRIVE  
HOOD RIVER COUNTY  
JUNE 4, 2009  
SCALE 1"=50'  
SHEET 3 OF 6  
DESIGNED: B. ELITHORP  
DRAWN: A. DUPLANT  
CHK'D: J. COLTON  
PROJ. NO. 108-114

CS 2009 027-3

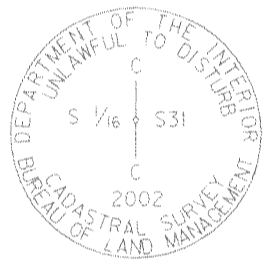
SW 1/4 SEC 31 T1N R10E WM  
SE 1/4 SEC 31 T1N R10E WM

HOOD RIVER COUNTY  
SURVEYOR'S OFFICE  
SURVEY NO.: CS 2009 027  
FILED: 6.22-09  
BY: Randy Johns



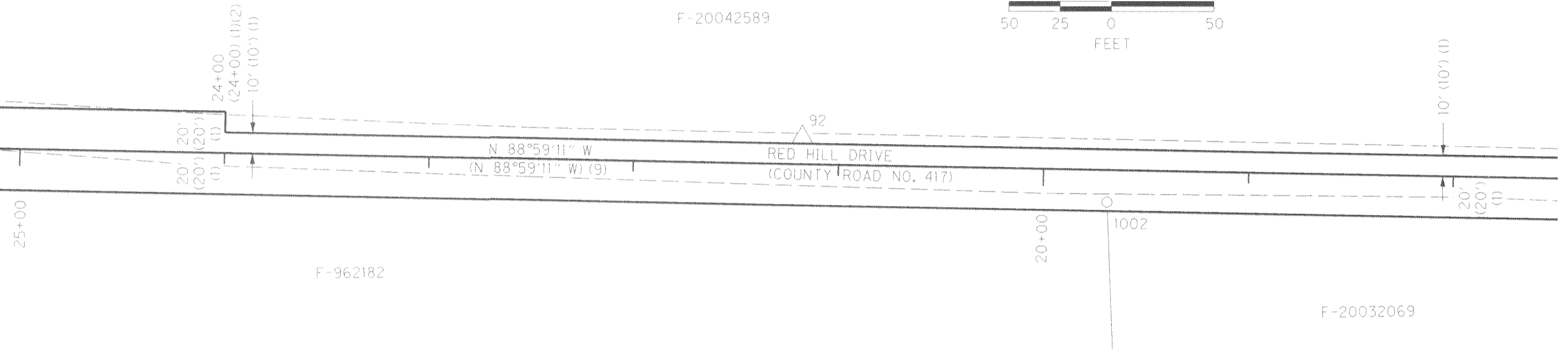
SEE SHEET 3

SEE SHEET 5



APPROXIMATE LOCATION  
SW 1/4 SEC 31 T1N R10E WM  
SE 1/4 SEC 31 T1N R10E WM

1007  
27+39.238 PI  
N 2968.435  
E 5694.500



LEGEND

- (XX) RECORD DATA PER REFERENCE LIST ON SHEET I
- FOUND MONUMENT NOTED IN TABLE
- △ FOUND NETWORK POINT
- RIGHT-OF-WAY
- PROPERTY LINE
- - - EDGE OF PAVEMENT

DN = DOWN  
FD = FOUND  
CS = COUNTY SURVEY

REGISTERED PROFESSIONAL LAND SURVEYOR

*Bret N. Elithorp*  
BRET N. ELITHORP  
#63148

OREGON  
JAN. 14, 2003  
RENEWAL DATE: DEC. 31, 2009  
SIGNED: 6/4/2009



Corporate Offices: 920 COUNTRY CLUB ROAD, SUITE 100B EUGENE, OREGON 97401-6089, 541-683-6090  
2235 MISSION STREET SE, SUITE 100 SALEM, OREGON 97302-1295, 503-589-4100  
831 O'HARE PARKWAY MEDFORD, OREGON 97504-4005, 541-774-5591  
5005 SW MEADOWS ROAD, SUITE 120 LAKE OSWEGO, OREGON 97035, 503-620-6103

UNITED STATES FOREST SERVICE  
HORIZONTAL CONTROL, RECOVERY AND RETRACEMENT SURVEY  
MIDDLE FORK HOOD RIVER BRIDGE DESIGN  
RED HILL DRIVE  
HOOD RIVER COUNTY

JUNE 4, 2009  
SCALE 1"=50'  
SHEET 4 OF 6

DESIGNED: B. ELITHORP  
DRAWN: A. DUPLANT  
CHK'D: J. COLTON  
PROJ. NO. 108-114

CS 2009 027-4

RECOVERED MONUMENT LIST

PT ID	NORTHING	EASTING	STATION	OFFSET	DATE	DESCRIPTION & REFERENCE DOCUMENTS
1002	2939.25	6464.53	19+68.81	15.56' LT	11/19/08	FD 3/4" ID IRON PIPE, BENT, TIED AT SPIN POINT, UP 0.3', FD IN CS 80040 & CS 2007-087

SE 1/4 SEC 31 T1N R10E WM

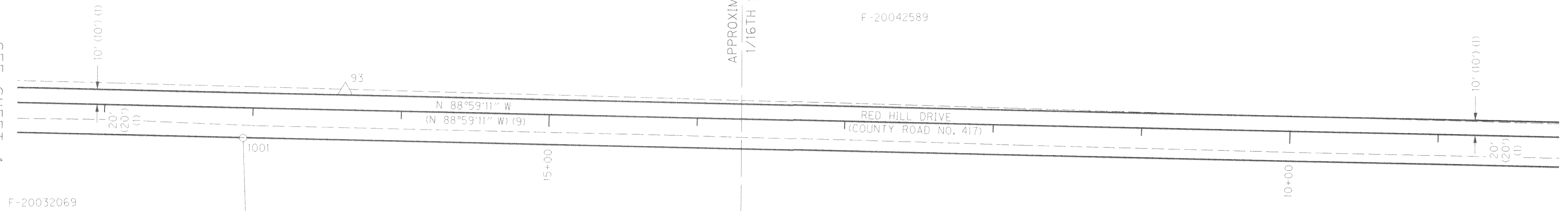
HOOD RIVER COUNTY  
SURVEYOR'S OFFICE

SURVEY NO.: CS 2009 027  
FILED: 6.22.09  
BY: [Signature]

SEE SHEET 4

SEE SHEET 6

APPROXIMATE LOCATION  
1/16TH SECTION LINE

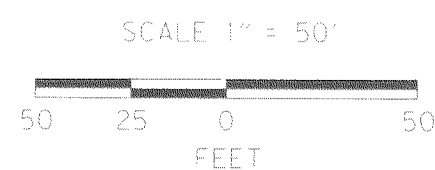


F-20032069

F-20042589

F-20042589

LEGEND	
(XX)	RECORD DATA PER REFERENCE LIST ON SHEET I
○	FOUND MONUMENT NOTED IN TABLE
△	FOUND NETWORK POINT
—	RIGHT-OF-WAY
—	PROPERTY LINE
- - -	EDGE OF PAVEMENT



FILE NAME: 108114ret.dgn

**OBEC CONSULTING ENGINEERS**  
Corporate Offices: 920 COUNTRY CLUB ROAD, SUITE 100B EUGENE, OREGON 97401-6089, 541-683-6090  
2235 MISSION STREET SE, SUITE 100 SALEM, OREGON 97302-1295, 503-589-4100  
831 O'HARE PARKWAY MEDFORD, OREGON 97504-4005, 541-774-5591  
5005 SW MEADOWS ROAD, SUITE 120 LAKE OSWEGO, OREGON 97035, 503-620-6103

UNITED STATES FOREST SERVICE  
HORIZONTAL CONTROL, RECOVERY AND RETRACEMENT SURVEY  
MIDDLE FORK HOOD RIVER BRIDGE DESIGN  
RED HILL DRIVE  
HOOD RIVER COUNTY

JUNE 4, 2009  
SCALE 1"=50'  
SHEET 5 OF 6

DESIGNED: B. ELITHORP  
DRAWN: A. DUPLANT  
CHK'D: J. COLTON

PROJ. NO. 108-114

REGISTERED PROFESSIONAL LAND SURVEYOR  
[Signature]  
OREGON  
JAN. 15, 2005  
BRET N. ELITHORP  
#63148

RENEWAL DATE: DEC. 31, 2009  
SIGNED: 6/4/2009

FD = FOUND  
CS = COUNTY SURVEY  
YPC = YELLOW PLASTIC CAP

RECOVERED MONUMENT LIST

PT ID	NORTHING	EASTING	STATION	OFFSET	DATE	DESCRIPTION & REFERENCE DOCUMENTS
1001	2929.91	6726.94	17+06.27	20.25' LT	11/19/08	FD 5/8" IRON ROD W/YPC "KLEIN & ASSOC PLS 59002", FLUSH, CS 2007-087

CS 2009 027\_5

SE 1/4 SEC 31 T1N R10E WM

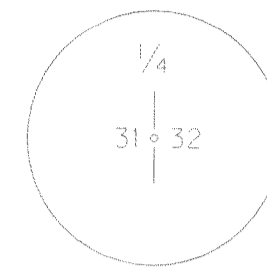
SE 1/4 SEC 31 T1N R10E WM

HOOD RIVER COUNTY  
SURVEYOR'S OFFICE

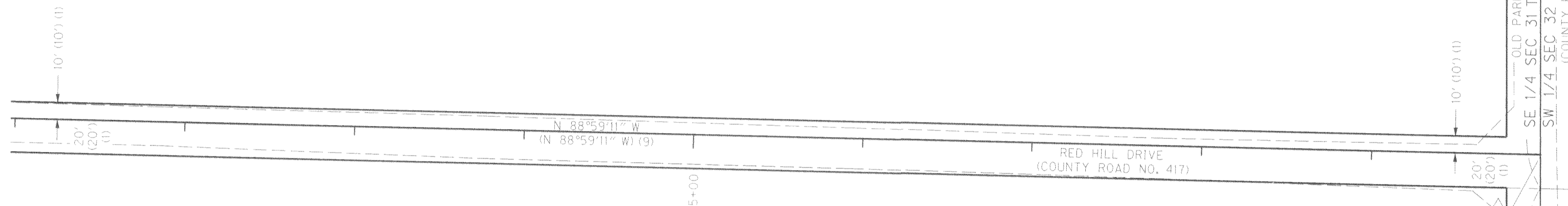
SURVEY NO.: CS 2009 027

FILED: 6-22-09

BY: [Signature]

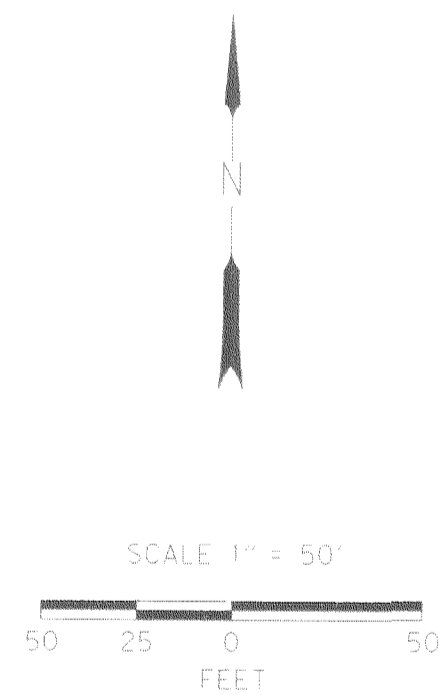


SEE SHEET 5

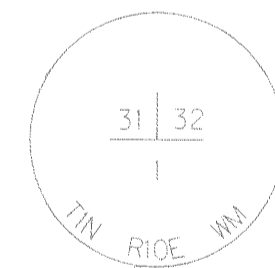


APPROXIMATE LOCATION  
1/16TH SECTION LINE

LEGEND	
(XX)	RECORD DATA PER REFERENCE LIST ON SHEET 1
○	FOUND MONUMENT NOTED IN TABLE
△	FOUND NETWORK POINT
—	RIGHT-OF-WAY
---	PROPERTY LINE
---	EDGE OF PAVEMENT



0+00,000 POB  
(0+00 POB) (2)  
N 2919.973  
E 8433.309



FILE NAME: 108114ret.dgn



Corporate Office: 920 COUNTRY CLUB ROAD, SUITE 100B EUGENE, OREGON 97401-6089, 541-683-6090  
2235 MISSION STREET SE, SUITE 100 SALEM, OREGON 97302-1295, 503-589-4100  
831 O'HARE PARKWAY MEDFORD, OREGON 97504-4005, 541-774-5591  
5005 SW MEADOWS ROAD, SUITE 120 LAKE OSWEGO, OREGON 97035, 503-620-6103

UNITED STATES FOREST SERVICE

HORIZONTAL CONTROL, RECOVERY AND RETRACEMENT SURVEY  
MIDDLE FORK HOOD RIVER BRIDGE DESIGN  
RED HILL DRIVE  
HOOD RIVER COUNTY

JUNE 4, 2009  
SCALE 1"=50'  
SHEET 6 OF 6

REGISTERED  
PROFESSIONAL  
LAND SURVEYOR

[Signature]  
OREGON  
JAN. 14, 2003  
BRET N. ELITHORP  
#63148

RENEWAL DATE: DEC. 31, 2009  
SIGNED: 6/4/2009

FD = FOUND  
DN = DOWN  
HCRS = HOOD RIVER COUNTY SURVEYOR

RECOVERED MONUMENT LIST

PT ID	NORTHING	EASTING	STATION	OFFSET	DATE	DESCRIPTION & REFERENCE DOCUMENTS
1000	1558.23	8442.28	N/A	N/A	11/19/08	FD 3" BRASS DISK IN MONUMENT BOX, DN 0.4', HCRS CORNER RESTORATION CARD NO. 648
1006	4241.73	8423.63	N/A	N/A	11/19/08	FD 3" BRASS DISK, DN 0.25', HCRS CORNER RESTORATION CARD NO. 1022

DESIGNED: B. ELITHORP

PROJ. NO. 108-114

DRAWN: A. DUPLANT

CHK'D: J. COLTON

CS 2009 027-6