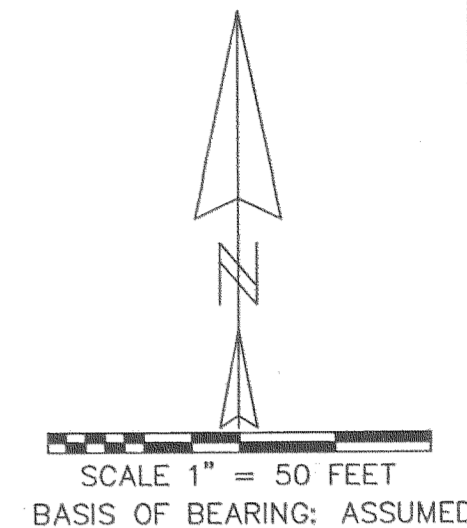


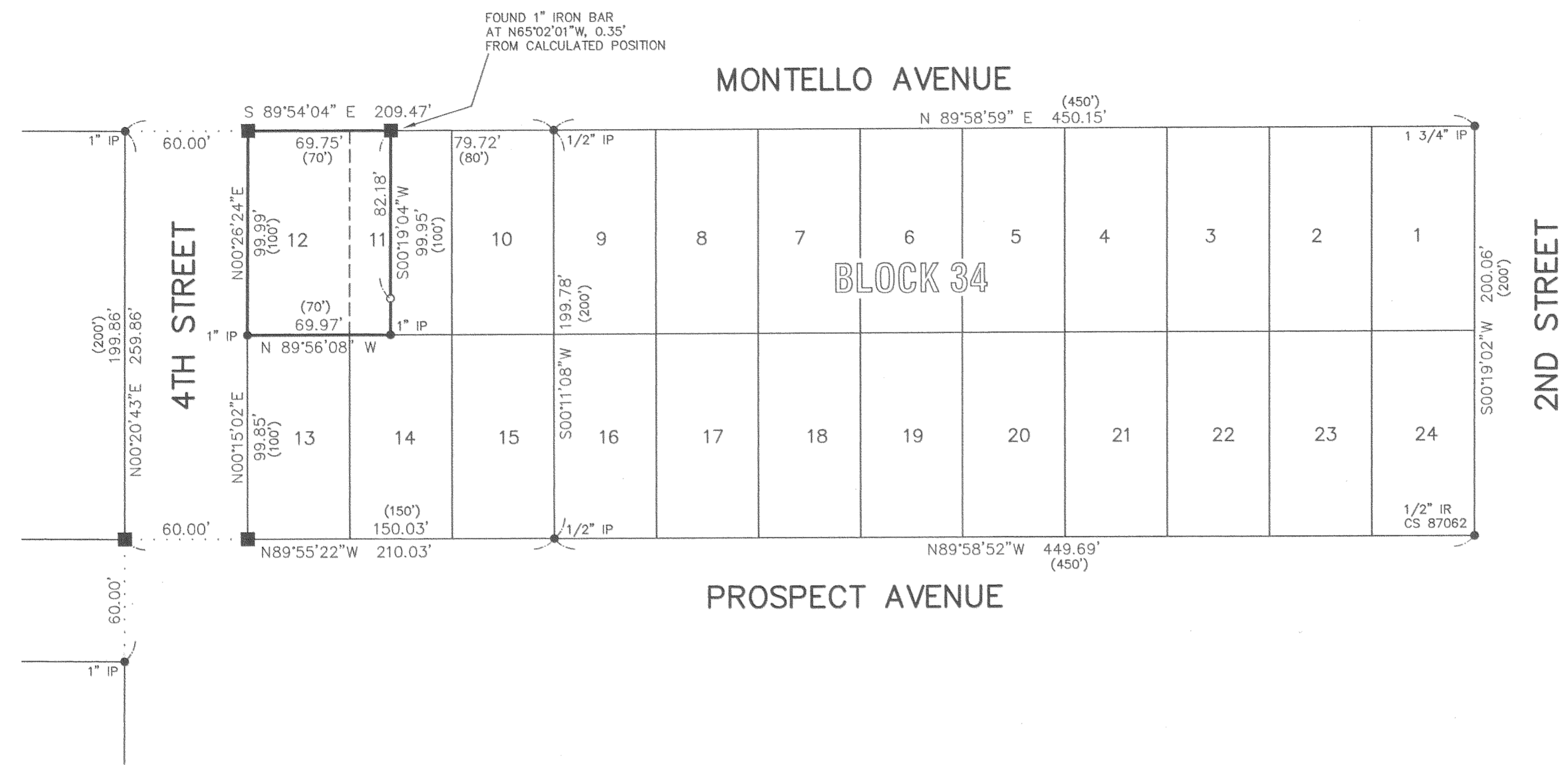
HOOD RIVER COUNTY
 SURVEYOR'S OFFICE
 SURVEY NO. CS 2008 077
 FILED DATE: 11.9.08
 BY: *Kevin Dowd*



REGISTERED
 PROFESSIONAL
 LAND SURVEYOR

Kevin Dowd

OREGON
 JULY 26, 1989
 KEVIN DOWD
 2393
 RENEW DATE: 12-31-09
 OCTOBER 29, 2008



NARRATIVE

THE PURPOSE OF THIS SURVEY IS TO ESTABLISH THE BOUNDARIES OF LOT 12 AND THE WEST 20 FEET OF LOT 11, BLOCK 34, HOOD RIVER PROPER. FOUND IRON PIPES WERE ACCEPTED TO ESTABLISH THE SOUTHEAST AND SOUTHWEST CORNERS. THE NORTHEAST AND NORTHWEST CORNERS WERE ESTABLISHED BY PRORATION BETWEEN IRON PIPES FOUND AT THE NORTHEAST CORNER OF LOT 10 AND THE NORTHEAST CORNER OF BLOCK 35. OTHER MONUMENTS WERE LOCATED AS SHOWN TO VERIFY THIS RESOLUTION.

MONUMENT WAS SET SEPTEMBER 19, 2008.

LEGEND

- SET 1/2" X 30" IRON ROD WITH YELLOW PLASTIC CAP MARKED "WYEAST LS 2393"
- FOUND MONUMENT AS NOTED
- IP IRON PIPE
- IR IRON ROD
- CALCULATED POSITION
- (xxx) PLAT OR RECORD DATA

RECORD OF SURVEY

LOT 12 AND THE WEST 20 FEET OF LOT 11
 BLOCK 34, HOOD RIVER PROPER
 LOCATED IN SECTION 36
 T3 NORTH, R10 EAST, W.M.
 IN THE CITY OF HOOD RIVER
 HOOD RIVER COUNTY, OREGON

FOR: PETE HIXON

WYEAST SURVEYS
 KEVIN DOWD
 4399 WOODWORTH DRIVE
 MT HOOD, OR 97041
 (541) 352-6065