

LOCATION OF SURVEY:

THE EAST 57.7 FEET OF LOT 17 AND THE WEST 22.3 FEET OF LOT 18, FOLTS SUBDIVISION OF ODELL, SW 1/4 OF NW 1/4 SECTION 26, TOWNSHIP 2 NORTH, RANGE 10 EAST, WILLAMETTE MERIDIAN, COUNTY OF HOOD RIVER STATE OF OREGON.

REFERENCES:

HOOD RIVER COUNTY SURVEY # 2004061
 HOOD RIVER COUNTY SURVEY # 2002024
 HOOD RIVER COUNTY SURVEY # 99055
 HOOD RIVER COUNTY SURVEY # 87055
 HOOD RIVER COUNTY SURVEY # 80005
 HOOD RIVER COUNTY SURVEY # 2006097
 HOOD RIVER COUNTY SURVEY # 96057
 HOOD RIVER COUNTY SURVEY # 7599

NARRATIVE:

THE PURPOSE OF THIS SURVEY WAS TO DETERMINE PROPERTY BOUNDARIES FOR TAX LOT 300.

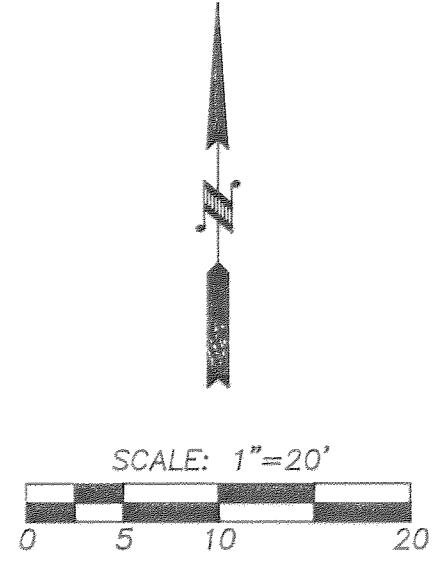
THE EAST AND WEST LINES OF THE LOT WERE DETERMINED BY PROPORTIONAL MEASUREMENT ALONG THE NORTH LINE OF FOLTS SUBDIVISION. THE NORTHEAST CORNER OF FOLTS SUBDIVISION WAS PREVIOUSLY SET BY TERRA SURVEYING AS THE PERPETUATED CORNER IN HOOD RIVER COUNTY SURVEY #2004 061. WE USED THE MONUMENTATION FOUND AT THE NORTHEAST CORNER OF LOT 13 OF FOLTS SUBDIVISION PLAT AND PROPORTIONED BETWEEN THESE FOUND MONUMENTS TO DETERMINE THE NORTH PROPERTY CORNERS OF SAID TAX LOT 300.

THE SOUTH LINE OF TAX LOT 300 WAS DETERMINED BY THE PROPORTIONING BETWEEN THE EAST LINE OF FOLTS SUBDIVISION DETERMINED BY THE MONUMENTS FOUND MONUMENTING THE WEST LINE OF ANNA ACRES ESTATES SUBDIVISION AND THE EAST LINE OF TAX LOT 1100 OF FOLTS SUBDIVISION. THE SUBJECT LOT WAS MONUMENTED AT THE RIGHT OF WAY OF MUD ALLEY.

REGISTERED PROFESSIONAL LAND SURVEYOR

ERIK M. CARLSON
 OREGON
 DECEMBER 30, 2005
 72306

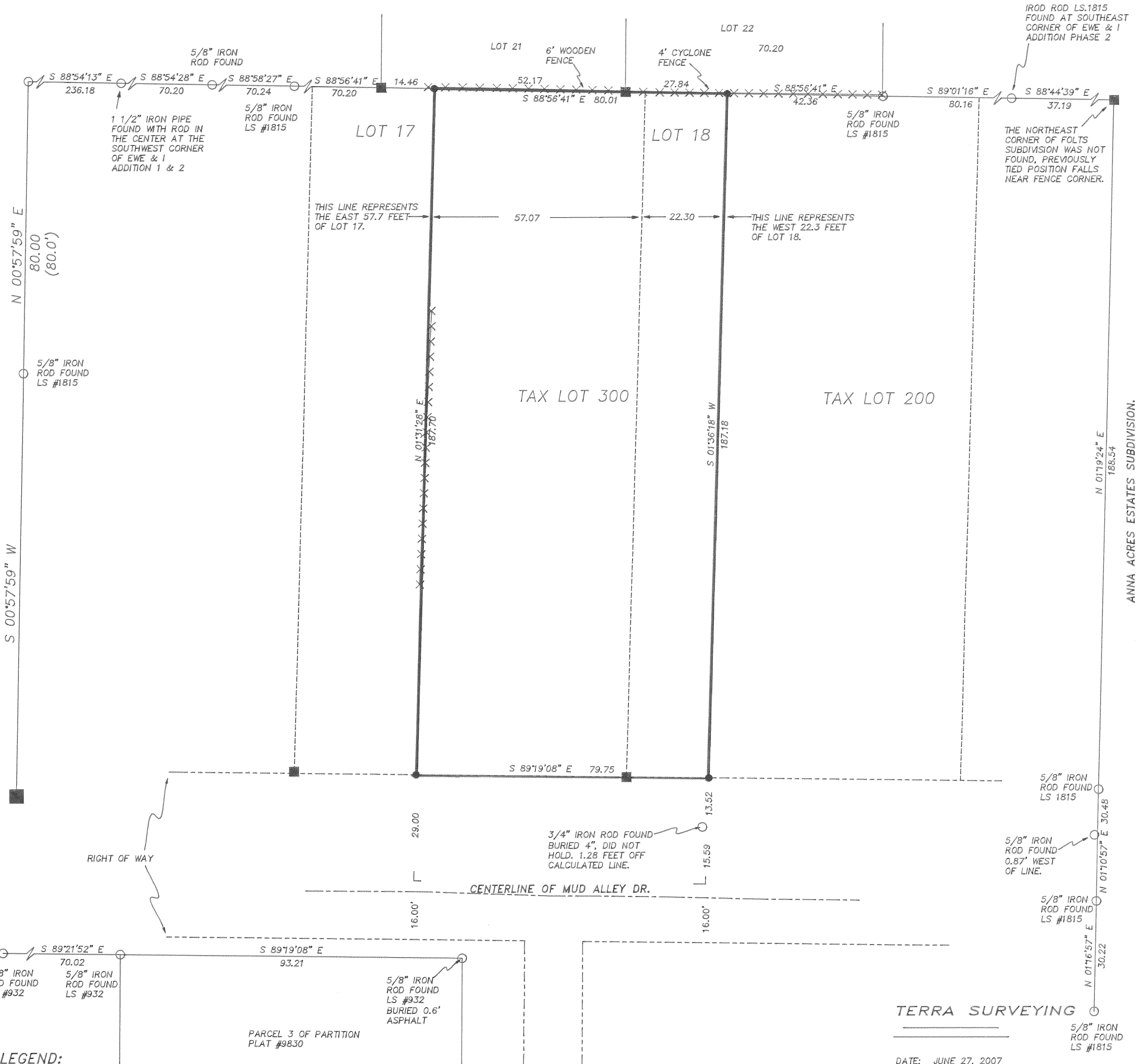
EXPIRES: DECEMBER 2007



BASIS OF BEARING:
 N.A.D. 1983, OREGON NORTH, GRID BEARINGS
 FOLTS SUBDIVISION

HOOD RIVER COUNTY SURVEYOR'S OFFICE
 CS# 2007 080
 DATE FILED: August 7, 2007
 BY: [Signature]

EWE & I ADDITION - PHASE 2



- LEGEND:**
- SET 5/8" X 30" IRON ROD WITH PLASTIC CAP
 - FOUND MONUMENT OF RECORD
 - CALCULATED, NOT FOUND OR SET
 - () DEED OR PLAT CALL

BOUNDARY SURVEY
 for
ARNULFO & MARICELA PEREZ

TERRA SURVEYING
 DATE: JUNE 27, 2007
 SCALE: 1" = 20'
 PROJECT: 207041
 P.O. BOX 617
 HOOD RIVER, OREGON 97031
 PHONE & FAX: (541) 386-4531
 E-Mail: terra@gorge.net

080 2007 080

2N 10 26 BC 300

7-25-07 1500

CS 2007 080