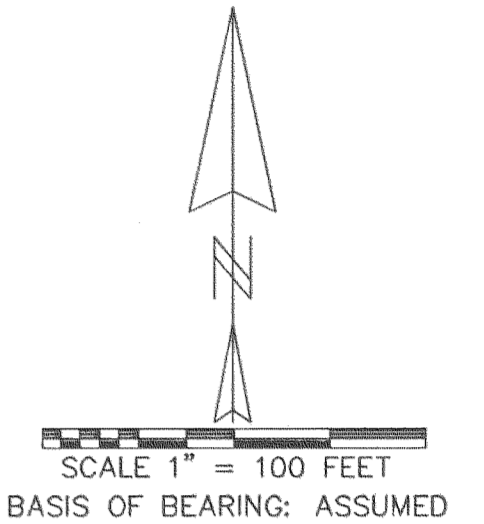


NORTHWEST CORNER  
SECTION 12  
FOUND ALUMINUM CAP

HOOD RIVER COUNTY  
SURVEYOR'S OFFICE  
SURVEY NO. *CS 2007 059*  
FILED DATE: *MAY 14, 2007*  
BY: *Kevin Dowd*



DOC# 20065210  
DEED BOOK 19, PAGE 619  
DEED BOOK 25, PAGE 203

REGISTERED  
PROFESSIONAL  
LAND SURVEYOR

*Kevin Dowd*

OREGON  
JULY 26, 1989  
KEVIN DOWD  
2393  
RENEW DATE: 12-31-07  
APRIL 14, 2007

**LEGEND**

- SET 1/2" X 30" IRON ROD WITH YELLOW PLASTIC CAP MARKED "WYEAST LS 2393" ON MARCH 15, 2007
- FOUND MONUMENT AS NOTED
- CALCULATED POSITION

**NARRATIVE**

THE PURPOSE OF THIS SURVEY IS TO ESTABLISH THE BOUNDARIES OF THAT TRACT OF LAND DESCRIBED IN DEED RECORDED AS DOC# 20065210. THE NORTHWEST CORNER WAS ESTABLISHED AT DEED DISTANCE SOUTH OF THE NORTHWEST SECTION CORNER. THE SOUTHWEST CORNER WAS ESTABLISHED AT DEED DISTANCE NORTH OF THE N 1/16TH CORNER. A FOUND IRON PIPE WAS ACCEPTED TO ESTABLISH THE NORTHEAST CORNER. THE SOUTHEAST CORNER WAS ESTABLISHED AT DEED DISTANCE NORTH OF AN AXLE FOUND AT THE SOUTHEAST CORNER OF THAT TRACT OF LAND DESCRIBED IN DEED BOOK 2 AT PAGE 343.

**RECORD OF SURVEY**

LOCATED IN THE NORTHWEST QUARTER OF SECTION 12 T2 NORTH, R10 EAST, W.M. HOOD RIVER COUNTY, OREGON

FOR: BOB BENTON

WYEAST SURVEYS  
KEVIN DOWD  
4399 WOODWORTH DRIVE  
MT HOOD, OR 97041  
(541) 352-6065

WEST QUARTER CORNER  
SECTION 12  
FOUND BRASS CAP/IP