

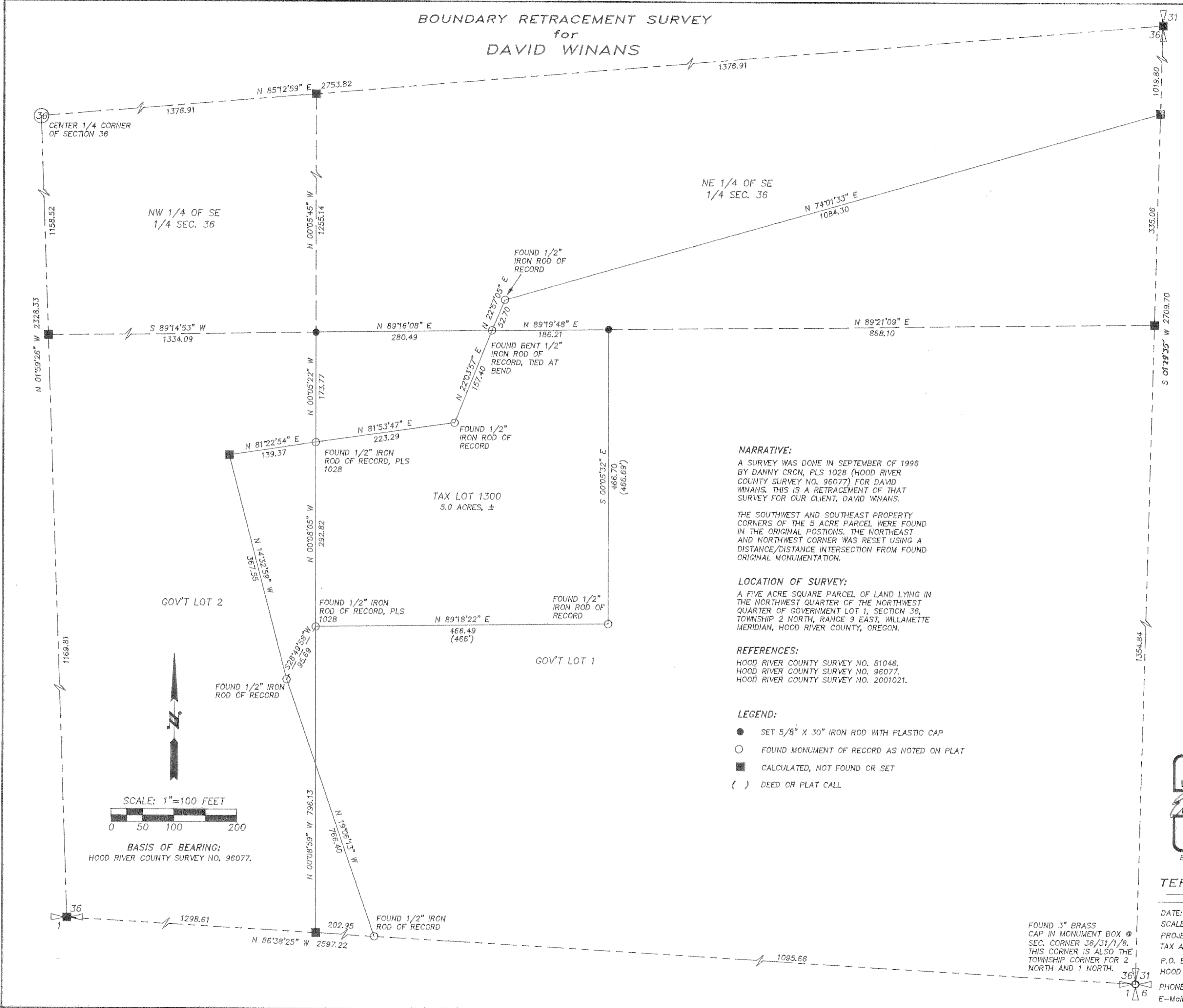
**BOUNDARY RETRACEMENT SURVEY
for
DAVID WINANS**

HOOD RIVER COUNTY
SURVEYOR'S OFFICE

CS# 2007 031

DATE FILED: 4-10-07

BY: *[Signature]*



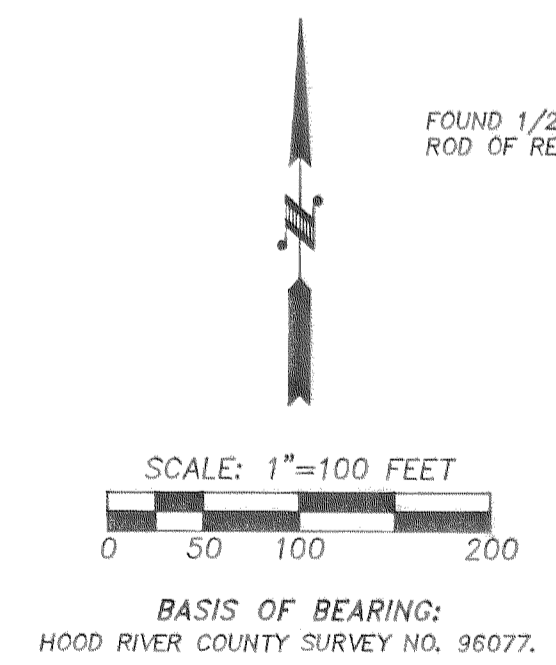
NARRATIVE:
A SURVEY WAS DONE IN SEPTEMBER OF 1996 BY DANNY CRON, PLS 1028 (HOOD RIVER COUNTY SURVEY NO. 96077) FOR DAVID WINANS. THIS IS A RETRACEMENT OF THAT SURVEY FOR OUR CLIENT, DAVID WINANS.

THE SOUTHWEST AND SOUTHEAST PROPERTY CORNERS OF THE 5 ACRE PARCEL WERE FOUND IN THE ORIGINAL POSITIONS. THE NORTHEAST AND NORTHWEST CORNER WAS RESET USING A DISTANCE/DISTANCE INTERSECTION FROM FOUND ORIGINAL MONUMENTATION.

LOCATION OF SURVEY:
A FIVE ACRE SQUARE PARCEL OF LAND LYING IN THE NORTHWEST QUARTER OF THE NORTHWEST QUARTER OF GOVERNMENT LOT 1, SECTION 36, TOWNSHIP 2 NORTH, RANGE 9 EAST, WILLAMETTE MERIDIAN, HOOD RIVER COUNTY, OREGON.

REFERENCES:
HOOD RIVER COUNTY SURVEY NO. 81046.
HOOD RIVER COUNTY SURVEY NO. 96077.
HOOD RIVER COUNTY SURVEY NO. 2001021.

- LEGEND:**
- SET 5/8" X 30" IRON ROD WITH PLASTIC CAP
 - FOUND MONUMENT OF RECORD AS NOTED ON PLAT
 - CALCULATED, NOT FOUND OR SET
 - () DEED OR PLAT CALL



REGISTERED
PROFESSIONAL
LAND SURVEYOR

[Signature]

OREGON
December 30, 2005
ERIK M. CARLSON
72306

Expires: December, 2007

TERRA SURVEYING

DATE: MARCH 14, 2007
SCALE: 1" = 100'
PROJECT: 207003
TAX ASSESSORS MAP: 2N-9E-SEC.36
P.O. BOX 617
HOOD RIVER, OREGON 97031
PHONE & FAX: (541) 386-4531
E-Mail: terra@gorge.net

FOUND 3" BRASS
CAP IN MONUMENT BOX @
SEC. CORNER 36/31/1/6.
THIS CORNER IS ALSO THE
TOWNSHIP CORNER FOR 2
NORTH AND 1 NORTH.

3-26-07 0830

CS 2007 031