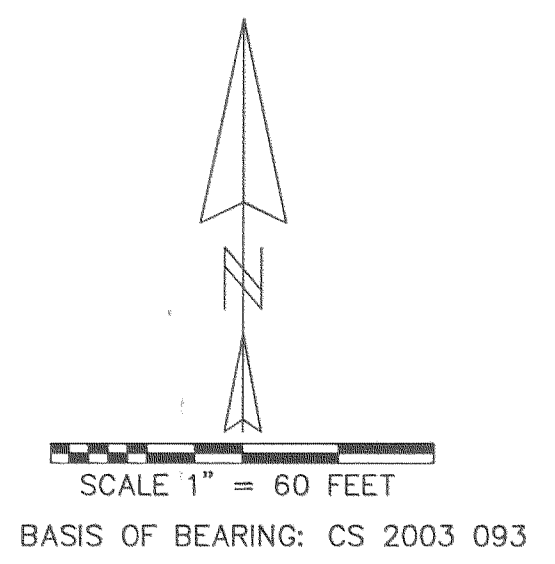


LINE TABLE		
LINE	LENGTH	BEARING
L1	19.90	S88°31'17"E



NARRATIVE:

THE PURPOSE OF THIS SURVEY IS TO MONUMENT THE ADJUSTED LINE AND TO FILE FOR RECORD A PROPERTY LINE ADJUSTMENT BETWEEN PARCELS 1 AND 2 OF PARTITION NO. 78-20. MONUMENTS WERE RECOVERED FROM CS 2003 093 WHICH HAD PREVIOUSLY ESTABLISHED THE EXTERIOR BOUNDARIES OF THE PARENT PARCEL AS DESCRIBED IN DEED RECORDED AS FEE NO. 780381. THE ADJUSTED LINE WAS ESTABLISHED AS PER CLIENT INSTRUCTION.

AREA TABLE

EXISTING PARCEL 1 PARTITION 78-20	0.50 ACRES
ADJUSTED PARCEL 1 PARTITION 78-20	1.126 ACRES
EXISTING PARCEL 2 PARTITION 78-20	1.256 ACRES
ADJUSTED PARCEL 2 PARTITION 78-20	0.630 ACRES

PROPERTY LINE ADJUSTMENT

SITUATED IN GOVERNMENT LOT 13
OF SECTION 15
T1 NORTH, R10 EAST, W.M.
HOOD RIVER COUNTY, OREGON

FOR: DAVID JENKINS

FILED

LEGEND:

- SET 1/2" X 30" IRON ROD WITH YELLOW PLASTIC CAP STAMPED "WYEAST LS 2393"
- FOUND 1/2" IRON ROD WITH YELLOW PLASTIC CAP STAMPED "WYEAST LS 2393" AS PER CS 2003 093
- FOUND MONUMENT AS NOTED
- CALCULATED POSITION

REGISTERED PROFESSIONAL LAND SURVEYOR

Kevin Dowd

OREGON
JULY 26, 1989
KEVIN DOWD
2393

RENEW DATE: 12-31-05
OCTOBER 17, 2005

NOV 2 2005
Paul J. Little
DEPUTY

WYEAST SURVEYS
KEVIN DOWD
4399 WOODWORTH DRIVE
MT HOOD, OR 97041
(541) 352-6065