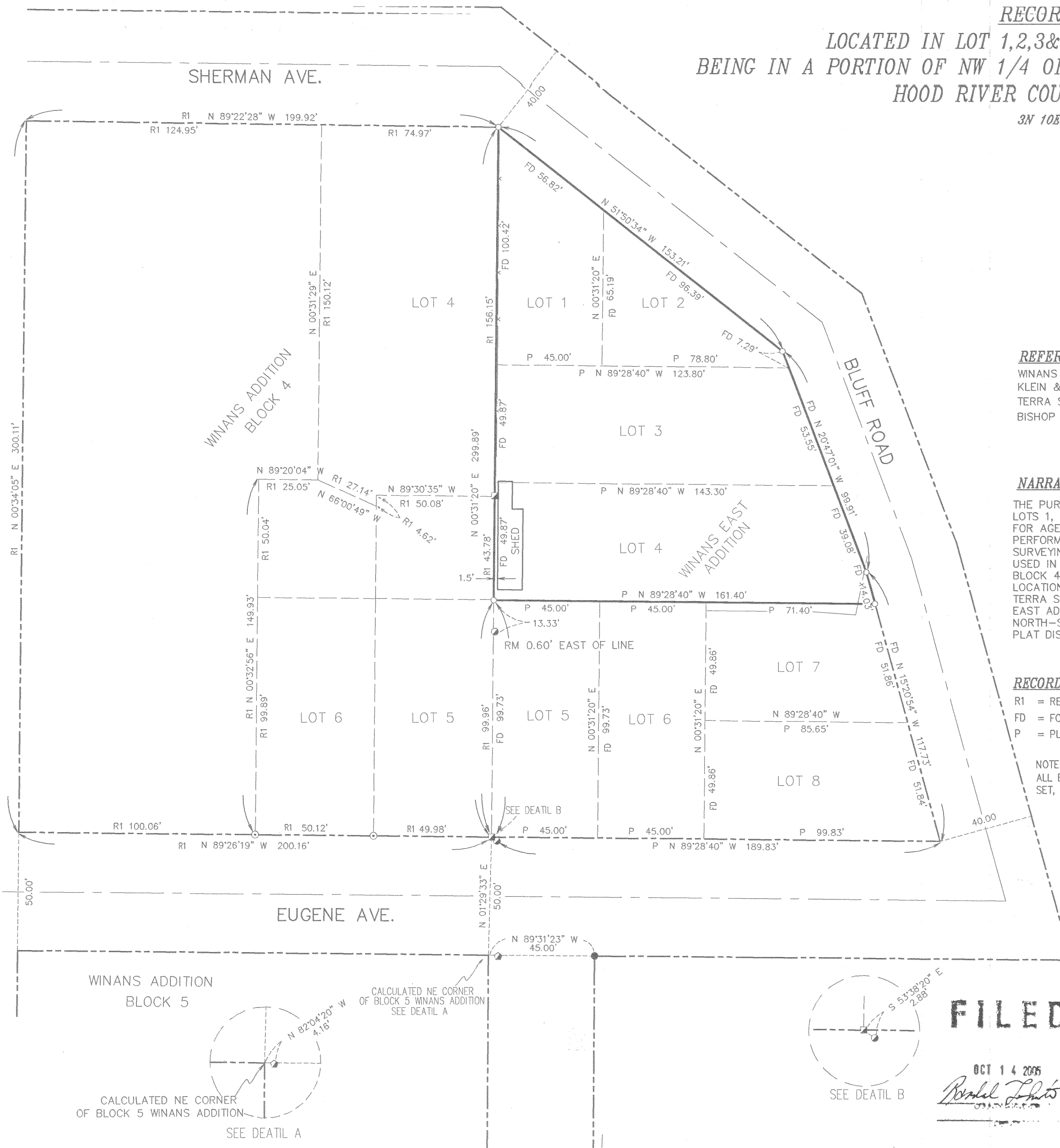
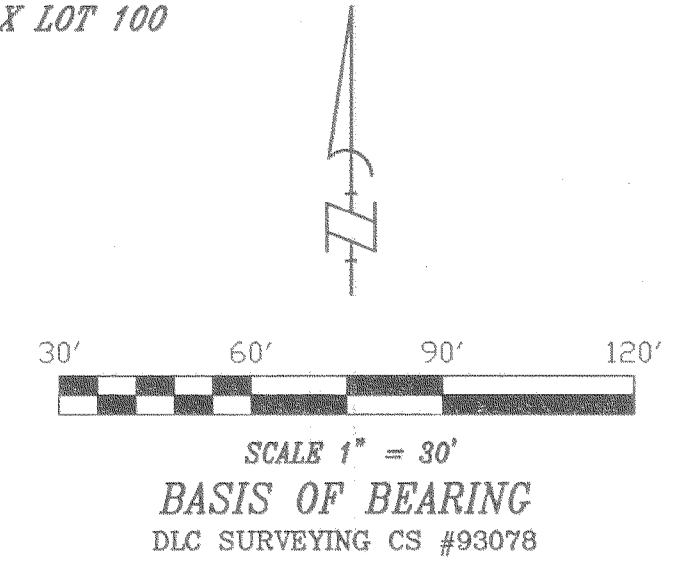


RECORD OF SURVEY
LOCATED IN LOT 1,2,3&4 OF WINANS' EAST ADDITION
BEING IN A PORTION OF NW 1/4 OF NE 1/4 SECTION 36, T 3 N, R 10 E, W.M.
HOOD RIVER COUNTY, STATE OF OREGON

3N 10E 36AB TAX LOT 100



REFERENCE SURVEYS

WINANS EAST ADDITION
 KLEIN & ASSOC. CS #9309
 TERRA SURVEYING CS #2004 046
 BISHOP SURVEYING CS #78104

LEGEND

- = SET 5/8" IR. WITH PLASTIC CAP MARKED OR #932 & WA #22098, EXCEPT AS NOTED
- = FOUND KLEIN & ASSOC. 5/8" IRON ROD WITH PLASTIC CAP AS RECORDED IN COUNTY SURVEY 9309
- ⊠ = FOUND TERRA SURVEYING 5/8" IRON ROD WITH PLASTIC CAP AS RECORDED IN COUNTY SURVEY 2004 046
- ⊙ = FOUND WYEAST SURVEYS 5/8" IRON ROD WITH PLASTIC CAP AS RECORDED IN COUNTY SURVEY 93071
- ⊠ = FOUND BISHOP SURVEYING 5/8" IRON ROD WITH PLASTIC CAP AS RECORDED IN COUNTY SURVEY 78104
- ⊙ = FOUND IRON PIPE

NARRATIVE OF SURVEY

THE PURPOSE OF THIS SURVEY IS TO LOCATE LOTS 1, 2, 3 AND 4 OF WINANS EAST ADDITION FOR AGERSEA CONSTRUCTION. A SURVEY PERFORMED BY WYEAST SURVEYS AND TERRA SURVEYING IN BLOCK 4 OF WINANS ADDITION WAS USED IN THIS SURVEY. EAST LINE OF BLOCK 4 OF WINANS ADDITION WAS HELD AS PER LOCATION OF AFORE SAID WYEAST SURVEYS AND TERRA SURVEYING. THE WEST LINE OF WINANS EAST ADDITION WAS THEN PORTIONED. THE NORTH-SOUTH LOT LINES WERE HELD AS PER PLAT DISTANCES.

RECORD DIST LEGEND

R1 = RECORD OF SURVEY, TERRA SURVEY CS#2004 046.
 FD = FOUND DATA.
 P = PLAT DISTANCE AS PER WINANS EAST ADDITION.

NOTE:
 ALL BEARINGS AND DISTANCES SHOWN ARE FOUND OR SET, UNLESS OTHERWISE NOTED.

REGISTERED
 PROFESSIONAL
 LAND SURVEYOR

OREGON
 JULY 17, 1970
 ANTHONY C. KLEIN

Expires 6-30-07



Klein & Assoc.

LAND SURVEYING
 1412 13th Street Suite 200
 Hood River, Oregon 97031
 Tel: (541)386-3322

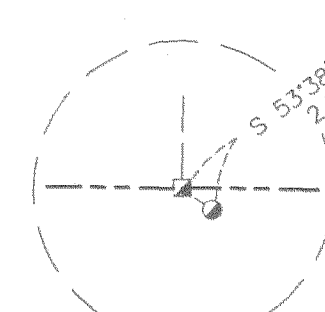
OWNER

AGERSEA CONSTRUCTION
 SHEET 1 OF 1
 WILLAMETTE MERIDIAN
 HOOD RIVER COUNTY, OREGON

FILED

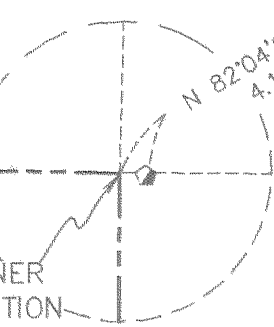
OCT 14 2005

Anthony C. Klein
 Surveyor



SEE DEATIL B

CALCULATED NE CORNER OF BLOCK 5 WINANS ADDITION



SEE DEATIL A

| | | | |
|------|-----|------|----|
| 1/4 | SEC | T. | R. |
| 36AB | 3N. | 10E. | |

7/20/05 10-10-05 1600

C3 2005 084