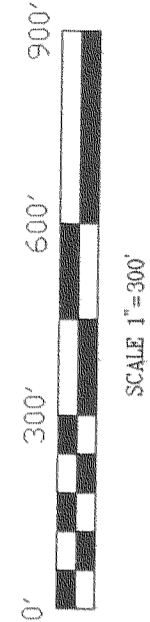
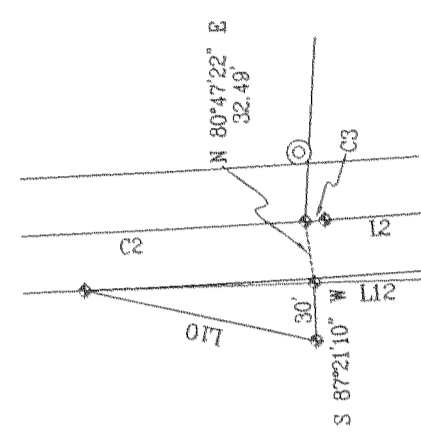


PROPERTY LINE ADJUSTMENT
WEST HALF OF SECTION 7
T 1 N, R 10 E, W.M.
HOOD RIVER COUNTY, OREGON



IN 10 7 TAX LOT 202 & 501



DETAIL
NOT TO SCALE

BASIS OF BEARING
AS PER CS #82024

REFERENCE SURVEYS
BY WEST SURVEYS
SURV. 2004-08, 2082-06, 2000-018, 996653
CS #2003-075

DLC SURVEYING, CS 92024
HOOD RIVER COUNTY, CS 88029
OREGON DEPT. TRANS. CS#20030-051
KLEIN & ASSOC. CS 2003-049

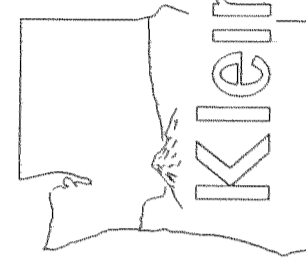
NARRATIVE OF SURVEY

THE PURPOSE OF THIS SURVEY IS TO FILE FOR RECORD A BOUNDARY LINE ADJUSTMENT BETWEEN TAX LOT 202 DESCRIBED AS PARCELS 1, 2, 3, 4, 5, 6, 7, 8, 9, 10, 11, 12, 13, 14, 15, 16, 17, 18, 19, 20, 21, 22, 23, 24, 25, 26, 27, 28, 29, 30, 31, 32, 33, 34, 35, 36, 37, 38, 39, 40, 41, 42, 43, 44, 45, 46, 47, 48, 49, 50, 51, 52, 53, 54, 55, 56, 57, 58, 59, 60, 61, 62, 63, 64, 65, 66, 67, 68, 69, 70, 71, 72, 73, 74, 75, 76, 77, 78, 79, 80, 81, 82, 83, 84, 85, 86, 87, 88, 89, 90, 91, 92, 93, 94, 95, 96, 97, 98, 99, 100, 101, 102, 103, 104, 105, 106, 107, 108, 109, 110, 111, 112, 113, 114, 115, 116, 117, 118, 119, 120, 121, 122, 123, 124, 125, 126, 127, 128, 129, 130, 131, 132, 133, 134, 135, 136, 137, 138, 139, 140, 141, 142, 143, 144, 145, 146, 147, 148, 149, 150, 151, 152, 153, 154, 155, 156, 157, 158, 159, 160, 161, 162, 163, 164, 165, 166, 167, 168, 169, 170, 171, 172, 173, 174, 175, 176, 177, 178, 179, 180, 181, 182, 183, 184, 185, 186, 187, 188, 189, 190, 191, 192, 193, 194, 195, 196, 197, 198, 199, 200, 201, 202, 203, 204, 205, 206, 207, 208, 209, 210, 211, 212, 213, 214, 215, 216, 217, 218, 219, 220, 221, 222, 223, 224, 225, 226, 227, 228, 229, 230, 231, 232, 233, 234, 235, 236, 237, 238, 239, 240, 241, 242, 243, 244, 245, 246, 247, 248, 249, 250, 251, 252, 253, 254, 255, 256, 257, 258, 259, 260, 261, 262, 263, 264, 265, 266, 267, 268, 269, 270, 271, 272, 273, 274, 275, 276, 277, 278, 279, 280, 281, 282, 283, 284, 285, 286, 287, 288, 289, 290, 291, 292, 293, 294, 295, 296, 297, 298, 299, 300, 301, 302, 303, 304, 305, 306, 307, 308, 309, 310, 311, 312, 313, 314, 315, 316, 317, 318, 319, 320, 321, 322, 323, 324, 325, 326, 327, 328, 329, 330, 331, 332, 333, 334, 335, 336, 337, 338, 339, 340, 341, 342, 343, 344, 345, 346, 347, 348, 349, 350, 351, 352, 353, 354, 355, 356, 357, 358, 359, 360, 361, 362, 363, 364, 365, 366, 367, 368, 369, 370, 371, 372, 373, 374, 375, 376, 377, 378, 379, 380, 381, 382, 383, 384, 385, 386, 387, 388, 389, 390, 391, 392, 393, 394, 395, 396, 397, 398, 399, 400, 401, 402, 403, 404, 405, 406, 407, 408, 409, 410, 411, 412, 413, 414, 415, 416, 417, 418, 419, 420, 421, 422, 423, 424, 425, 426, 427, 428, 429, 430, 431, 432, 433, 434, 435, 436, 437, 438, 439, 440, 441, 442, 443, 444, 445, 446, 447, 448, 449, 450, 451, 452, 453, 454, 455, 456, 457, 458, 459, 460, 461, 462, 463, 464, 465, 466, 467, 468, 469, 470, 471, 472, 473, 474, 475, 476, 477, 478, 479, 480, 481, 482, 483, 484, 485, 486, 487, 488, 489, 490, 491, 492, 493, 494, 495, 496, 497, 498, 499, 500, 501, 502, 503, 504, 505, 506, 507, 508, 509, 510, 511, 512, 513, 514, 515, 516, 517, 518, 519, 520, 521, 522, 523, 524, 525, 526, 527, 528, 529, 530, 531, 532, 533, 534, 535, 536, 537, 538, 539, 540, 541, 542, 543, 544, 545, 546, 547, 548, 549, 550, 551, 552, 553, 554, 555, 556, 557, 558, 559, 560, 561, 562, 563, 564, 565, 566, 567, 568, 569, 570, 571, 572, 573, 574, 575, 576, 577, 578, 579, 580, 581, 582, 583, 584, 585, 586, 587, 588, 589, 590, 591, 592, 593, 594, 595, 596, 597, 598, 599, 600, 601, 602, 603, 604, 605, 606, 607, 608, 609, 610, 611, 612, 613, 614, 615, 616, 617, 618, 619, 620, 621, 622, 623, 624, 625, 626, 627, 628, 629, 630, 631, 632, 633, 634, 635, 636, 637, 638, 639, 640, 641, 642, 643, 644, 645, 646, 647, 648, 649, 650, 651, 652, 653, 654, 655, 656, 657, 658, 659, 660, 661, 662, 663, 664, 665, 666, 667, 668, 669, 670, 671, 672, 673, 674, 675, 676, 677, 678, 679, 680, 681, 682, 683, 684, 685, 686, 687, 688, 689, 690, 691, 692, 693, 694, 695, 696, 697, 698, 699, 700, 701, 702, 703, 704, 705, 706, 707, 708, 709, 710, 711, 712, 713, 714, 715, 716, 717, 718, 719, 720, 721, 722, 723, 724, 725, 726, 727, 728, 729, 730, 731, 732, 733, 734, 735, 736, 737, 738, 739, 740, 741, 742, 743, 744, 745, 746, 747, 748, 749, 750, 751, 752, 753, 754, 755, 756, 757, 758, 759, 760, 761, 762, 763, 764, 765, 766, 767, 768, 769, 770, 771, 772, 773, 774, 775, 776, 777, 778, 779, 780, 781, 782, 783, 784, 785, 786, 787, 788, 789, 790, 791, 792, 793, 794, 795, 796, 797, 798, 799, 800, 801, 802, 803, 804, 805, 806, 807, 808, 809, 810, 811, 812, 813, 814, 815, 816, 817, 818, 819, 820, 821, 822, 823, 824, 825, 826, 827, 828, 829, 830, 831, 832, 833, 834, 835, 836, 837, 838, 839, 840, 841, 842, 843, 844, 845, 846, 847, 848, 849, 850, 851, 852, 853, 854, 855, 856, 857, 858, 859, 860, 861, 862, 863, 864, 865, 866, 867, 868, 869, 870, 871, 872, 873, 874, 875, 876, 877, 878, 879, 880, 881, 882, 883, 884, 885, 886, 887, 888, 889, 890, 891, 892, 893, 894, 895, 896, 897, 898, 899, 900, 901, 902, 903, 904, 905, 906, 907, 908, 909, 910, 911, 912, 913, 914, 915, 916, 917, 918, 919, 920, 921, 922, 923, 924, 925, 926, 927, 928, 929, 930, 931, 932, 933, 934, 935, 936, 937, 938, 939, 940, 941, 942, 943, 944, 945, 946, 947, 948, 949, 950, 951, 952, 953, 954, 955, 956, 957, 958, 959, 960, 961, 962, 963, 964, 965, 966, 967, 968, 969, 970, 971, 972, 973, 974, 975, 976, 977, 978, 979, 980, 981, 982, 983, 984, 985, 986, 987, 988, 989, 990, 991, 992, 993, 994, 995, 996, 997, 998, 999, 1000.

LINE	BEARING	DISTANCE
L1	S 02°04'28" E	155.30'
L2	S 04°27'25" E	662.80'
L3	S 18°32'20" E	393.50'
L4	S 14°20'18" E	210.20'
L5	S 02°05'51" E	892.70'
L6	S 00°41'09" W	590.90'
L7	S 03°18'51" E	268.40'
L8	S 18°56'57" E	210.90'
L9	S 05°17'57" E	184.70'
L10	S 11°23'20" W	123.69'
L11	N 87°21'10" E	300.00'
L12	S 02°38'50" E	526.79'

AREA NOTE:
ALL AREA ARE CALCULATED TO THE CENTER OF EXISTING ROADS AND/OR HIGHWAYS.

PROPERTY LINE ADJUSTMENT
FOR
BRADFORD PERRON



REGISTERED
PROFESSIONAL
LAND SURVEYOR
Anthony C. Klein
OREGON
JULY 17, 1970
ANTHONY C. KLEIN
93E
Expires 6-30-05

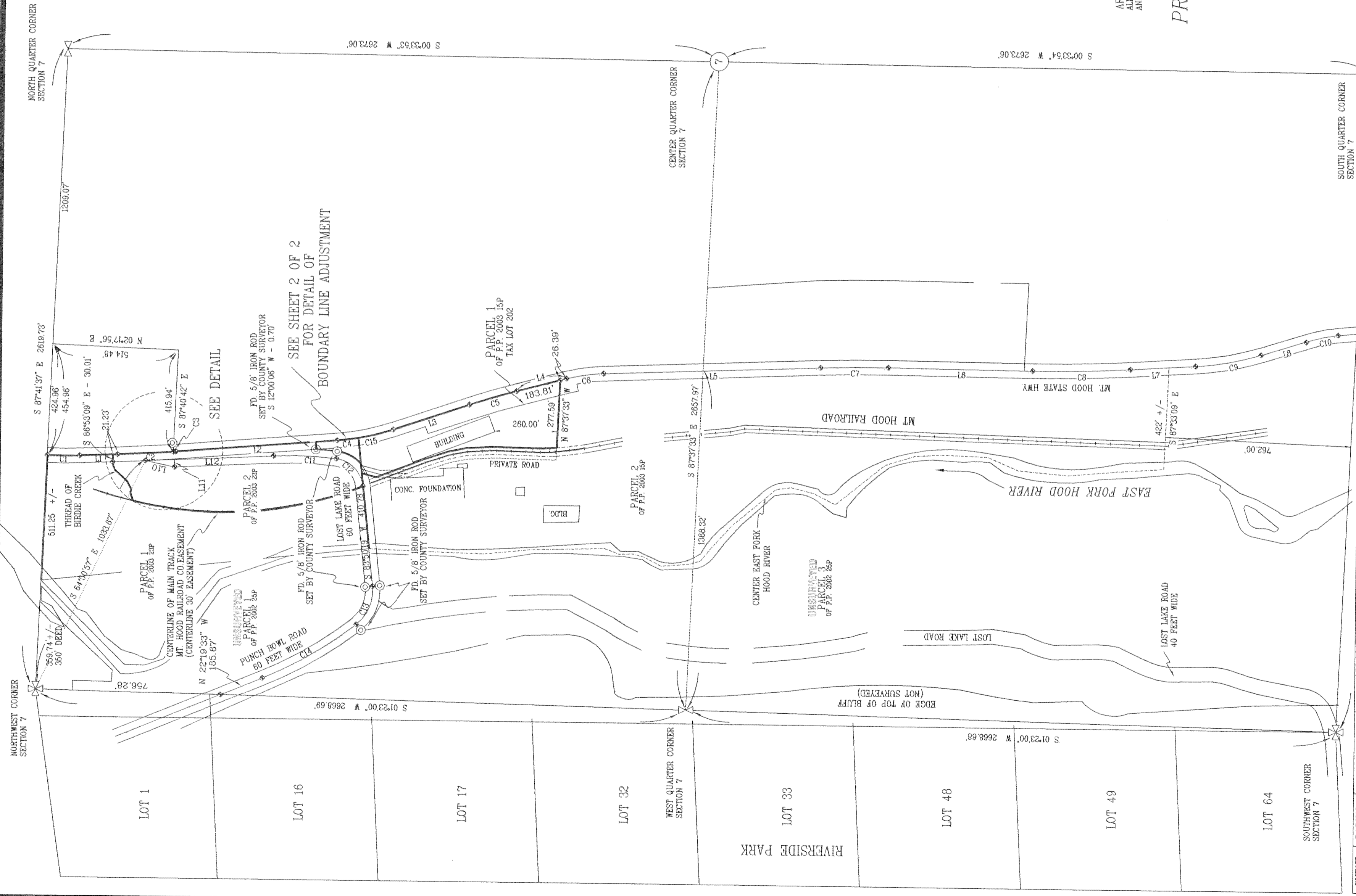
Klein & Assoc.
LAND SURVEYING
1412 13th Street
Hood River, Oregon 97031
Tel: (541)386-3322
DATE SURVEYED: Feb. 2004
JOB NO.: 03077

FIELD

APR 1 2004
Bradford Perron
BRADFORD PERRON
REGISTERED PROFESSIONAL LAND SURVEYOR
OREGON

SHEET 1 OF 2

CS 2004 013 (1)

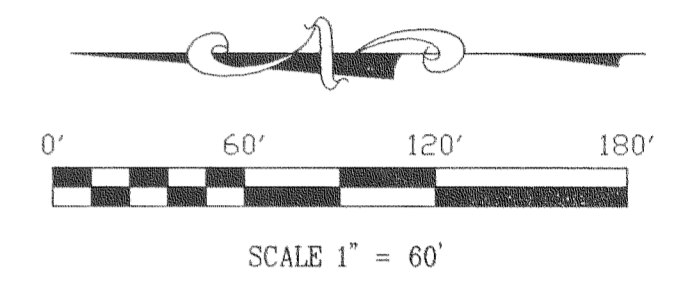


CURVE	RADIUS	ARC LENGTH	CHORD LENGTH	CHORD BEARING	DELTA ANGLE
C1	1432.40'	132.69'	132.54'	N 00°00'53" E	05°18'13"
C2	5729.58'	227.98'	227.96'	N 05°12'49" W	02°16'47"
C3	5729.58'	10.33'	10.33'	N 04°24'19" W	00°06'12"
C4	954.93'	86.62'	86.59'	N 07°03'23" W	05°11'50"
C5	2884.79'	201.63'	201.63'	S 16°31'20" E	04°02'00"
C6	715.20'	154.60'	154.27'	S 08°19'18" E	12°22'00"
C7	5729.58'	278.30'	278.32'	S 00°42'21" E	02°47'00"
C8	5729.58'	400.00'	389.91'	N 01°18'51" W	04°00'00"
C9	1145.92'	272.70'	272.02'	N 10°07'51" W	13°38'00"
C10	672.96'	116.50'	116.30'	S 11°07'27" E	11°59'00"
C11	1600.00'	257.03'	256.75'	S 01°57'17" W	09°12'15"
C12	125.00'	168.60'	166.11'	S 45°11'49" W	77°16'50"
C13	175.00'	176.89'	169.46'	N 67°12'31" W	57°54'54"
C14	1600.00'	444.72'	443.29'	N 30°17'19" W	15°55'31"
C15	954.93'	148.07'	147.92'	S 14°05'50" E	08°53'03"

PROPERTY LINE ADJUSTMENT
WEST HALF OF SECTION 7
T 1 N, R 10 E, W.M.
HOOD RIVER COUNTY, OREGON

CURVE	RADIUS	ARC LENGTH	CHORD LENGTH	CHORD BEARING	DELTA ANGLE
C4	954.93'	86.62'	86.59'	N 07°03'23" W	05°11'50"
C5	2864.79'	201.63'	201.63'	S 16°31'20" E	04°02'00"
C6	716.20'	154.60'	154.27'	S 08°19'18" E	12°22'00"
C12	125.00'	168.60'	156.11'	S 45°11'49" W	77°16'50"
C15	954.93'	148.07'	147.92'	S 14°05'50" E	08°53'03"
C16	155.00'	54.27'	53.99'	S 57°37'09" W	20°03'35"
C17	155.00'	111.00'	108.65'	S 27°04'23" W	41°01'57"

LINE	BEARING	DISTANCE
L1	S 02°04'26" E	155.30'
L2	S 04°27'25" E	862.80'
L3	S 18°32'20" E	329.50'
L4	S 14°30'18" E	210.20'
L5	S 02°05'51" E	892.70'
L6	S 00°41'09" W	590.90'
L7	S 03°18'51" E	268.40'
L8	S 16°56'57" E	210.90'
L9	S 05°17'57" E	164.70'
L10	S 11°23'20" W	123.69'
L11	N 87°21'10" E	30.00'
L12	S 02°38'50" E	526.79'



FILED

APR 1 2004
Bradford Perron
COUNTY CLERK

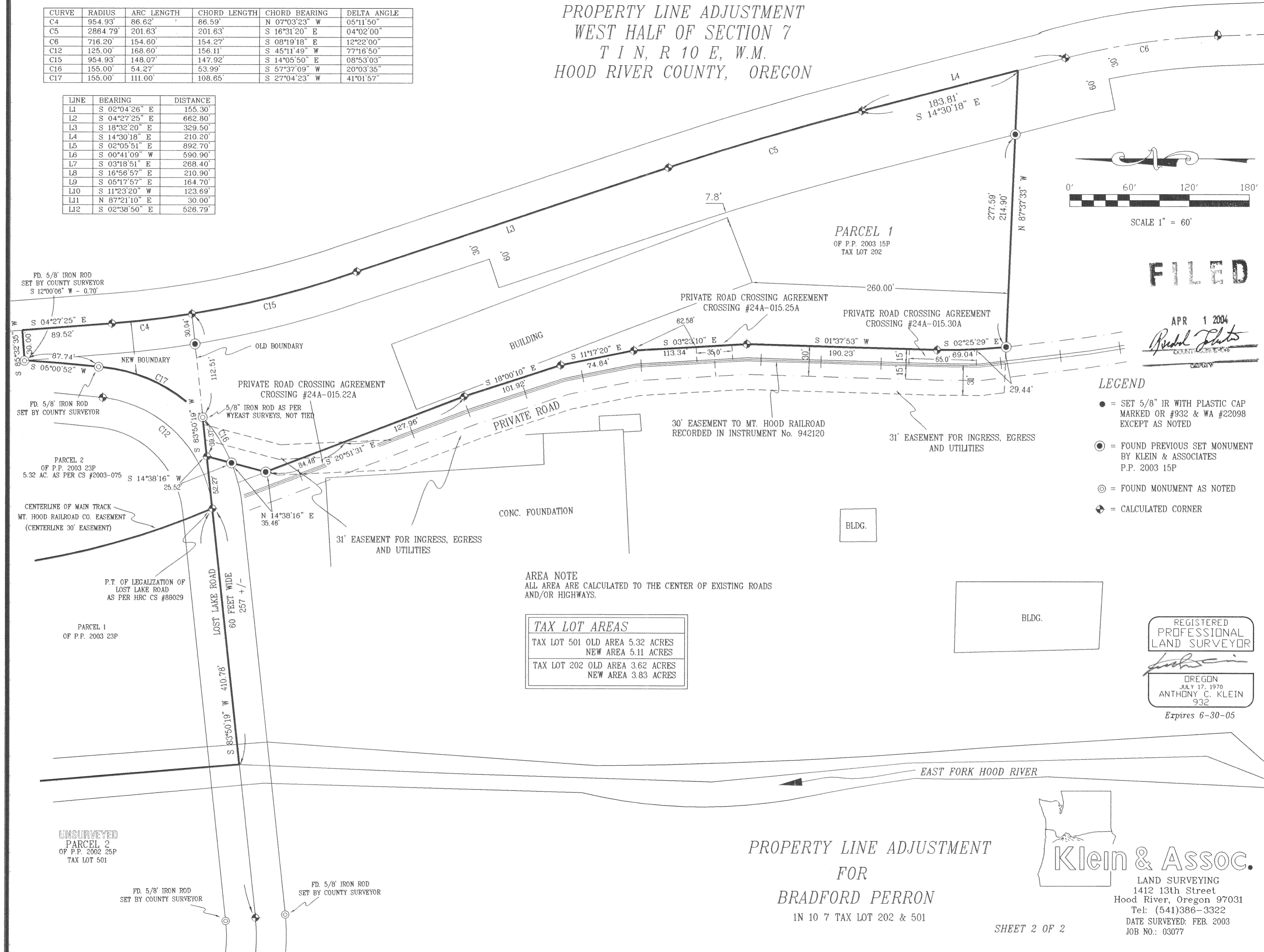
LEGEND

- = SET 5/8" IR WITH PLASTIC CAP MARKED OR #932 & WA #22098 EXCEPT AS NOTED
- ⊙ = FOUND PREVIOUS SET MONUMENT BY KLEIN & ASSOCIATES P.P. 2003 15P
- ⊙ = FOUND MONUMENT AS NOTED
- ⊕ = CALCULATED CORNER

REGISTERED PROFESSIONAL LAND SURVEYOR
Anthony C. Klein
OREGON
JULY 17, 1970
ANTHONY C. KLEIN
932
Expires 6-30-05

AREA NOTE
ALL AREA ARE CALCULATED TO THE CENTER OF EXISTING ROADS AND/OR HIGHWAYS.

TAX LOT AREAS	
TAX LOT 501 OLD AREA	5.32 ACRES
TAX LOT 501 NEW AREA	5.11 ACRES
TAX LOT 202 OLD AREA	3.62 ACRES
TAX LOT 202 NEW AREA	3.83 ACRES



PROPERTY LINE ADJUSTMENT
FOR
BRADFORD PERRON
1N 10 7 TAX LOT 202 & 501

Klein & Assoc.
LAND SURVEYING
1412 13th Street
Hood River, Oregon 97031
Tel: (541)386-3322
DATE SURVEYED: FEB. 2003
JOB NO.: 03077