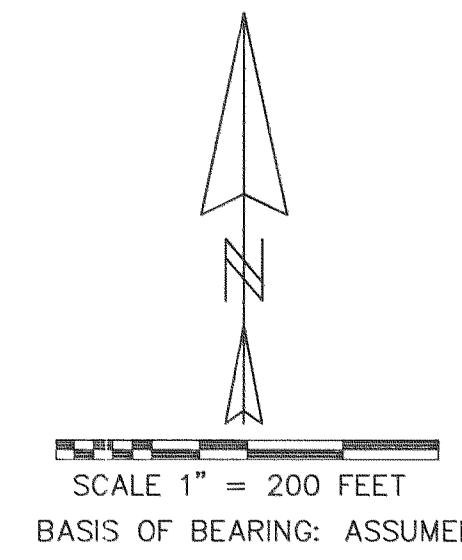


NORTH QUARTER CORNER
SECTION 28
FOUND 3/4" IRON PIPE

NORTHEAST CORNER
SECTION 28
FOUND BRASS DISC
IN MONUMENT CASE



LEGEND:

- SET 1/2" X 30" IRON ROD WITH YELLOW PLASTIC CAP STAMPED "WYEAST LS 1028"
- FOUND 1/2" IRON ROD AS PER CS# 77119
- ⊕ 1/16TH CORNER CALCULATED POSITION
- CALCULATED POSITION, NOT FOUND OR SET

NARRATIVE:

THE PURPOSE OF THIS SURVEY IS TO ESTABLISH THE BOUNDARIES OF THAT TRACT OF LAND DESCRIBED IN DEED RECORDED AS FEE NO. 931968. THE NORTHWEST QUARTER OF THE NORTHEAST QUARTER OF SECTION 28 WAS ESTABLISHED IN ACCORDANCE WITH BLM MANUAL OF SURVEYING INSTRUCTIONS 1973 BASED ON THE FOUND MONUMENTS AS SHOWN. AN IRON ROD WAS FOUND AND HELD TO ESTABLISH THE MOST NORTHERLY CORNER OF THE WESTERLY DEED EXCEPTION. THE SOUTHEAST CORNER OF SAID EXCEPTION WAS ESTABLISHED 600 FEET WEST OF THE SOUTHEAST CORNER OF SAID QUARTER-QUARTER AS PER DEED. AN IRON ROD AS SET BY CS# 77119 WAS NOT ACCEPTED. SAID SURVEY HAD USED A DOUBLE PROPORTIONED POSITION FOR THE NORTHEAST SECTION CORNER. OUTBUILDING ENCROACHMENTS WERE FOUND ALONG THE NORTHEASTERLY LINE OF THE WESTERLY DEED EXCEPTION AS SHOWN. THE WEST LINE OF THE DEED EXCEPTION IN THE SOUTHEAST CORNER OF THE QUARTER-QUARTER WAS ESTABLISHED 240 FEET WEST OF AND PARALLEL WITH THE EAST LINE OF SAID QUARTER-QUARTER AS PER DEED. THE NORTH LINE OF SAID EXCEPTION WAS ESTABLISHED 240 FEET NORTH OF AND PARALLEL WITH THE SOUTH LINE OF SAID QUARTER-QUARTER AS PER DEED.

FILED

NOV 25 2003
Randal Tolato
COUNTY SURVEYOR
DEPUTY

REGISTERED
PROFESSIONAL
LAND SURVEYOR

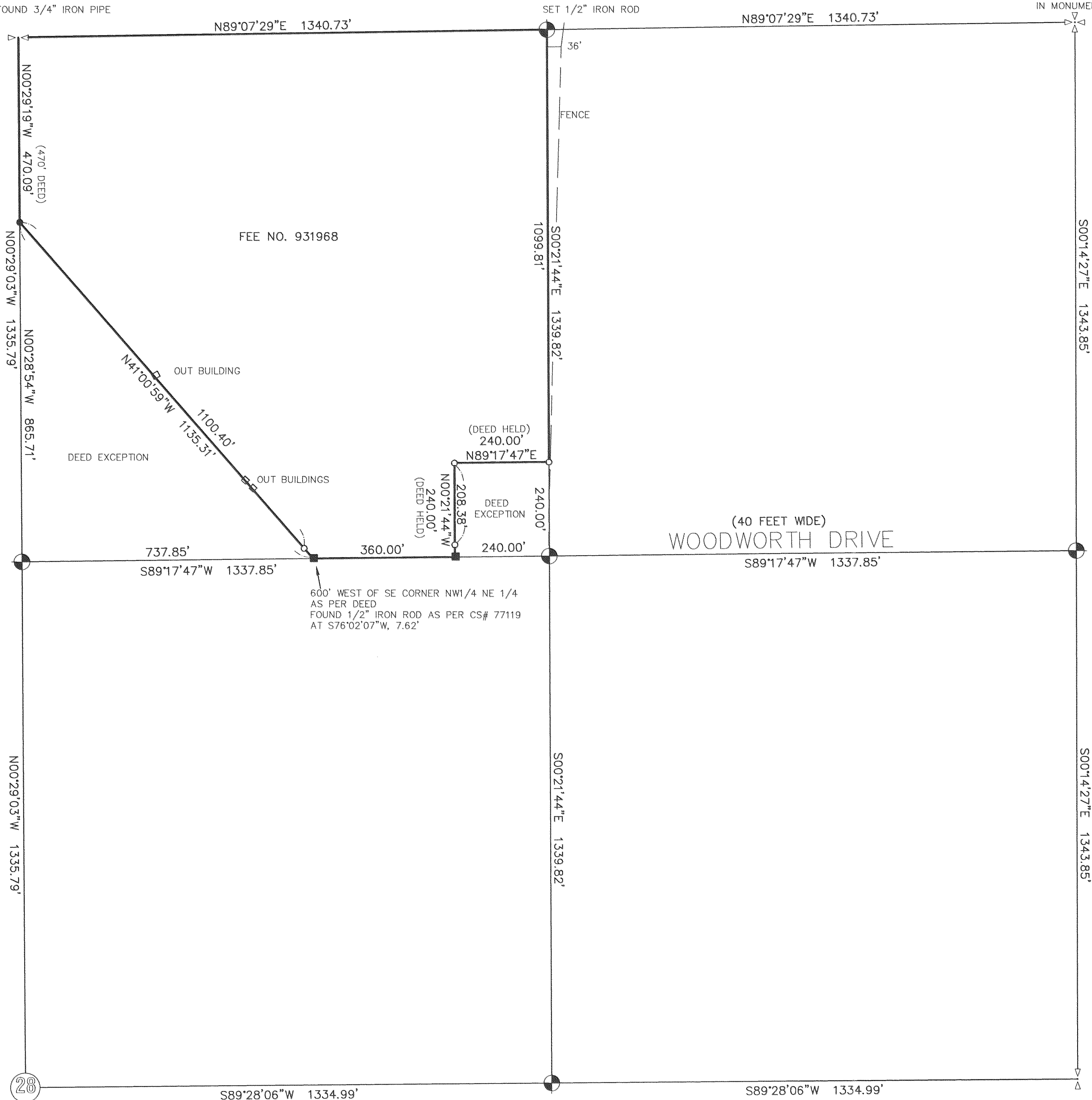
Kevin Dowd
OREGON
JULY 26, 1989
KEVIN DOWD
2393
RENEW DATE: 12-31-03
OCTOBER 16, 2003

RECORD OF SURVEY

SITUATED IN THE NORTHEAST QUARTER
OF SECTION 28
T1 NORTH, R10 EAST, W.M.
HOOD RIVER COUNTY, OREGON

FOR: VERNON FISCHER AND STEVE HATFIELD

WYEAST SURVEYS
KEVIN DOWD
4399 WOODWORTH DR.
MT HOOD, OR 97041
(541) 352-6065



28
CENTER QUARTER CORNER
SECTION 28
FOUND BRASS CAP AT WEST QUARTER CORNER
BEARS S89°28'06"W, 2647.38'
CALCULATED POSITION SOUTH QUARTER CORNER AS PER CS# 77119
BEARS S00°29'03"E, 2678.84'

EAST QUARTER CORNER
SECTION 28
POSITION AS PER CS# 93109
FOUND BRASS CAP AT SOUTHEAST SECTION CORNER
BEARS S00°03'37"E, 2683.72'

CS 2003 078

11/24/03 12:00