

THIS CORNER CALCULATED BY EXTENDING THE LINE FROM THE FOUND P.K. NAIL THROUGH A 30' OFFSET (PLAT DIST.) FROM THE FOUND SCREW. MAY NEED TO USE A PLAT DISTANCE OR A PROPORTIONMENT FROM AN ORIGINAL DISTANCE BETWEEN THIS MARK AND THE CITY MONUMENT TO THE SOUTH.

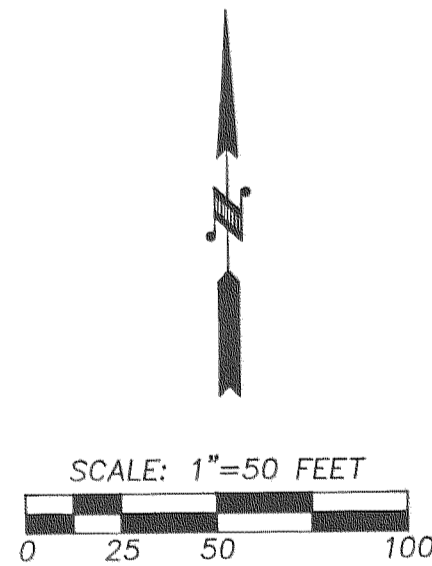
THESE MARKS WERE SET BY L.S. 872 AS REFERENCE MARKS FOR CENTER LINE MONUMENTS IN CASCADE STREET. IT IS UNLIKELY THAT THEY REPRESENT THE CENTER OF 5TH STREET AS L.S. 932 HAS INDICATED IN C.S. 99094.

THESE MARKS WERE SET BY L.S. 872 AS REFERENCE MARKS FOR CENTER LINE MONUMENTS IN CASCADE STREET. IT IS UNLIKELY THAT THEY REPRESENT THE CENTER OF 4TH STREET AS L.S. 932 HAS INDICATED IN C.S. 99094.

NARRATIVE:
 NO MAJOR DISCREPANCIES WERE FOUND.
 SEE FACE OF PLAT FOR DETAILS
 A 4' HIGH WOODEN LATH WAS SET ON THE EAST PROPERTY LINE OF THE SURVEYED PIECE, THE LINE ABUTS AN EXISTING RETAINING WALL.

LOCATION OF SURVEY:
 LOTS 5 AND THE WEST HALF OF LOT 6, BLOCK 6, SECOND ADDITION WEST TO THE TOWN OF HOOD RIVER, IN THE CITY OF HOOD RIVER, LOCATED IN SECTION 25, TOWNSHIP 3 NORTH, RANGE 10 EAST, W.M., COUNTY OF HOOD RIVER, OREGON.

REFERENCES:
 HOOD RIVER COUNTY SURVEY No. 92068, PLS 872.
 HOOD RIVER COUNTY SURVEY No. 95087, PLS 872.
 HOOD RIVER COUNTY SURVEY No. 95126, PLS 1028.
 HOOD RIVER COUNTY SURVEY No. 99094, PLS 932.



BASIS OF BEARING:
 1986 CITY OF HOOD RIVER DATUM.

- LEGEND:**
- SET 5/8" X 30" IRON ROD WITH PLASTIC CAP
 - ⊗ "X" CHISELED IN CURB WITH CONCRETE SCREW SET IN CENTER
 - FOUND MONUMENT OF RECORD
 - CALCULATED, NOT FOUND OR SET
 - () DEED OR PLAT CALL

REGISTERED PROFESSIONAL LAND SURVEYOR

Roy O. Gaylord

OREGON
 JULY 13, 1979
 ROY O. GAYLORD
 1815

Expires June, 2001

PROPERTY SURVEY
 for
 DANA AND DENISE LOVE

FILED

SEP 1 2000
Ronald J. ...
 COUNTY SURVEYOR
 DEPUTY

TERRA SURVEYING

DATE: JULY, 2000
 SCALE: 1" = 50'
 PROJECT: 2039
 P.O. BOX 617
 HOOD RIVER, OREGON 97031
 PHONE & FAX: (541) 386-4531
 terra@gorge.net