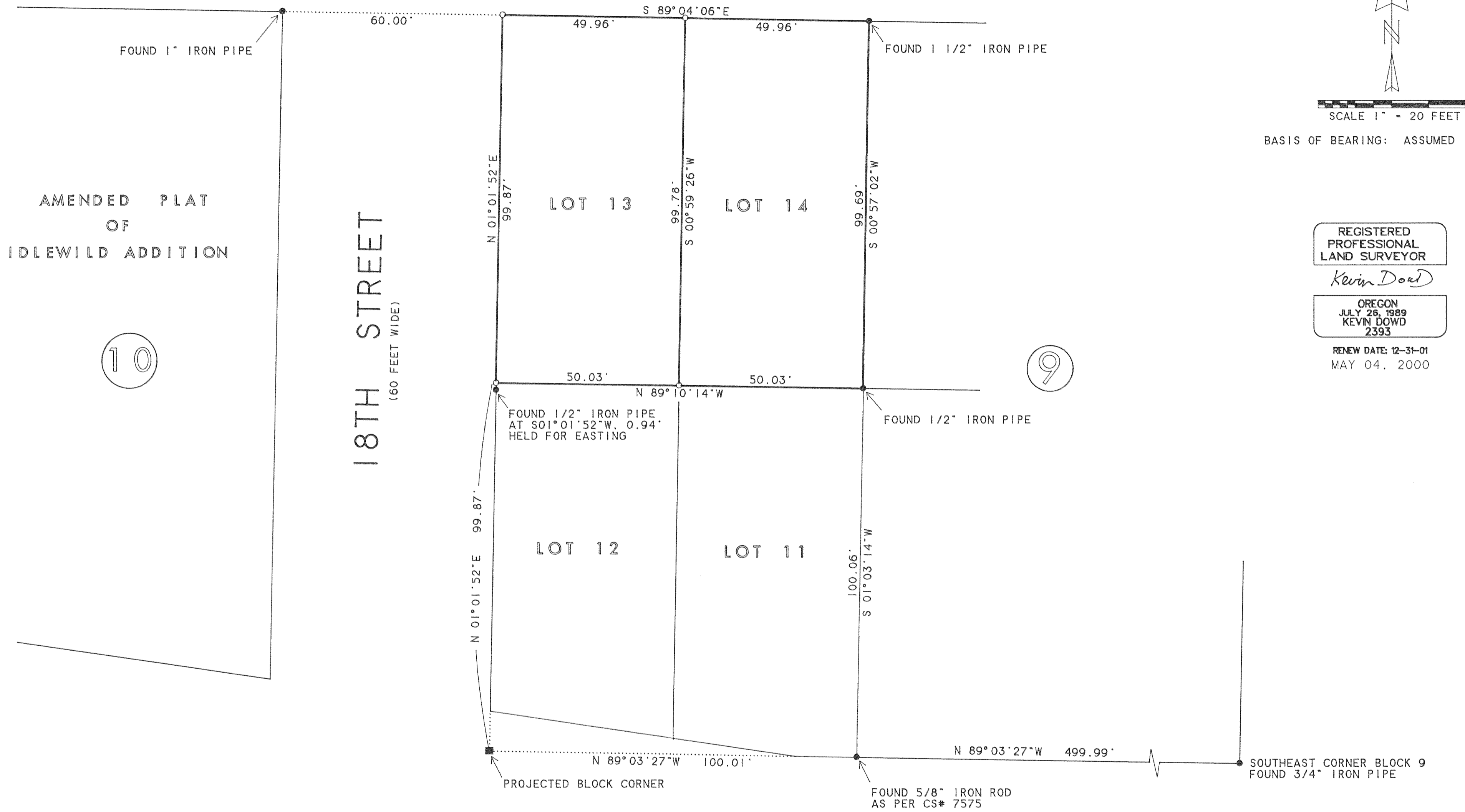


COLUMBIA STREET (60 FEET WIDE)



AMENDED PLAT  
OF  
IDLEWILD ADDITION

10

18TH STREET  
(60 FEET WIDE)

LOT 13

LOT 14

LOT 12

LOT 11

9

RECORD OF SURVEY

LOTS 13 AND 14, BLOCK 9  
AMENDED PLAT OF IDLEWILD ADDITION  
IN THE CITY OF HOOD RIVER  
HOOD RIVER COUNTY OREGON

FOR: HOOD RIVER HOMES, INC.  
SE 1/4 SECTION 26,  
T3N, R10E, W.M.

**FILED**  
MAY 12 2000  
COUNTY SURVEYOR  
DEPUTY

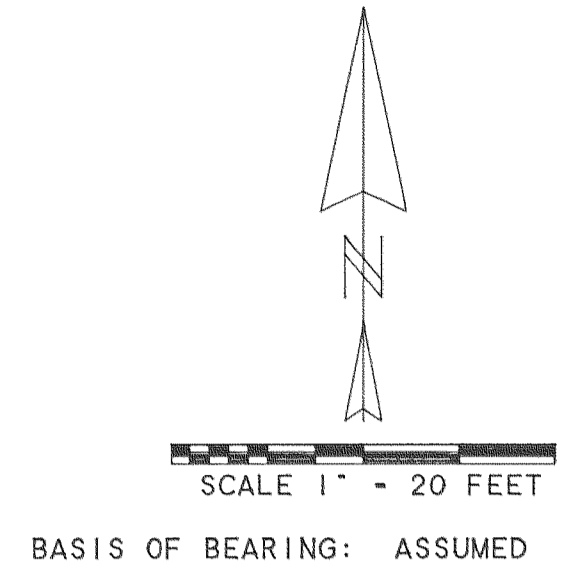
WYEAST SURVEYS  
KEVIN DOWD  
4399 WOODWORTH DR  
MT. HOOD, OR 97041  
(541) 352-6065

NARRATIVE:

THE PURPOSE OF THIS SURVEY IS TO ESTABLISH THE BOUNDARIES OF LOTS 13 AND 14, BLOCK 9, "AMENDED PLAT OF IDLEWILD ADDITION". LOT CORNERS WERE ESTABLISHED AT PROPORTIONATE PLAT MEASUREMENT, HOLDING THE FOUND MONUMENTS AS SHOWN.

LEGEND:

- SET 1/2" IRON ROD WITH YELLOW PLASTIC CAP STAMPED "WYEAST SURVEYS PLS 2393"
- FOUND MONUMENT AS NOTED



REGISTERED  
PROFESSIONAL  
LAND SURVEYOR

*Kevin Dowd*

OREGON  
JULY 26, 1989  
KEVIN DOWD  
2393

RENEW DATE: 12-31-01  
MAY 04, 2000