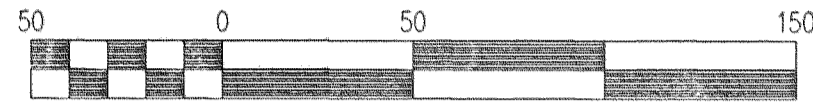


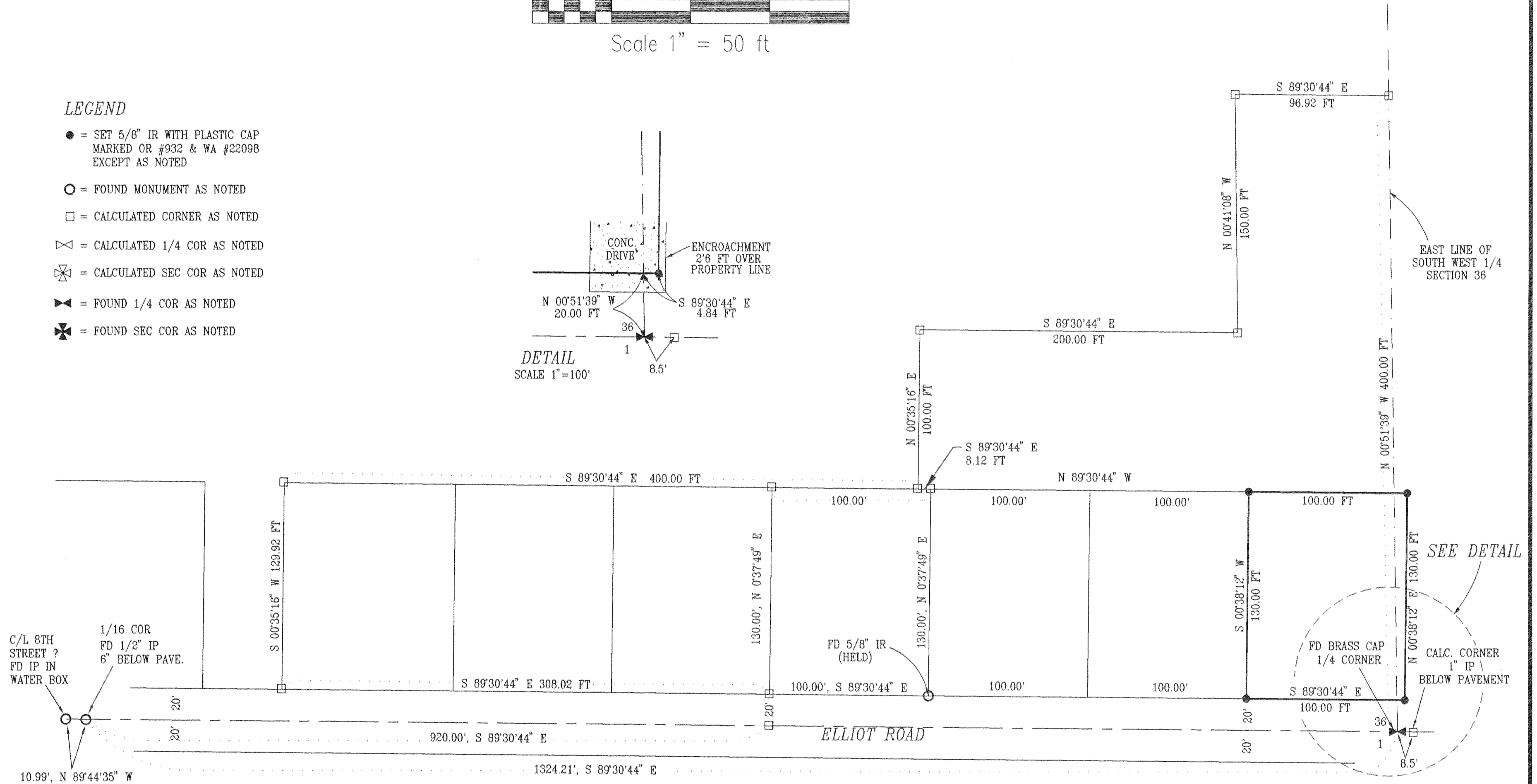
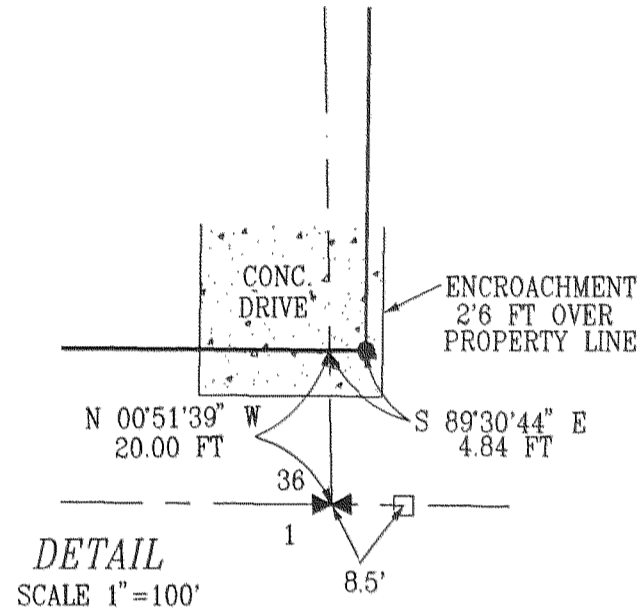
SURVEY IN  
SE 1/4 OF THE SW 1/4 SECTION 36, T 3 N, R 10 E, WM  
COUNTY OF HOOD RIVER, STATE OF OREGON



Scale 1" = 50 ft

**LEGEND**

- = SET 5/8" IR WITH PLASTIC CAP MARKED OR #932 & WA #22098 EXCEPT AS NOTED
- = FOUND MONUMENT AS NOTED
- = CALCULATED CORNER AS NOTED
- ⊠ = CALCULATED 1/4 COR AS NOTED
- ⊞ = CALCULATED SEC COR AS NOTED
- ⊞ = FOUND 1/4 COR AS NOTED
- ⊞ = FOUND SEC COR AS NOTED



C/L 8TH STREET ?  
FD IP IN WATER BOX  
1/16 COR  
FD 1/2" IP  
6" BELOW PAVE.

SEE DETAIL  
FD BRASS CAP  
1/4 CORNER  
CALC. CORNER  
1" IP  
BELOW PAVEMENT

**BASIS OF BEARING**  
KLEIN & ASSOC. CS#89097

**REFERENCE SURVEYS**  
KLEIN & ASSOC. CS#89097  
TERRA SURVEY CS#83060  
DLC SURVEY CS#80017

**NARRATIVE OF SURVEY**  
THE PURPOSE OF THIS SURVEY IS TO LOCATE THE BOUNDARY OF THE PARCEL SHOWN HEREIN. IT WAS FOUND THAT THE EXISTING DRIVEWAY ENCROUCHED ONTO THE LOT TO THE EAST. ALSO DURING THIS SURVEY A REVIEW OF THE LEGAL DESCRIPTION DID NOT MENTIONED ANY CALL TO THE SOUTH 1/4, CORNER. ALL DISTANCES AND BEARINGS WERE HELD AS PER LEGAL DIScription FROM THE SOUTH WEST CORNER OF THE SOUTHEAST 1/4, OF THE SOUTH WEST 1/4, SECTION 36. ALL MONUMENTS FOUND AND ESTABLISHED ALONG WITH THE MEASURED BEARINGS AND DISTANCES ARE SHOWN HEREIN.

**FILED**  
FEB 25 2000  
*Anthony C. Klein*  
COUNTY SURVEYOR

REGISTERED  
PROFESSIONAL  
LAND SURVEYOR  
*Anthony C. Klein*  
OREGON  
JULY 17, 1970  
ANTHONY C. KLEIN  
932  
Expires 6-30-01

SURVEY FOR  
FOR  
JEAN BOWERS

**Klein & Assoc.**  
LAND SURVEYING  
1203th Street Suite H  
Hood River, Oregon 97031  
Tele: (503)386-3322  
DATE SURVEYED: FEB. 2000  
JOB NO.: 00007