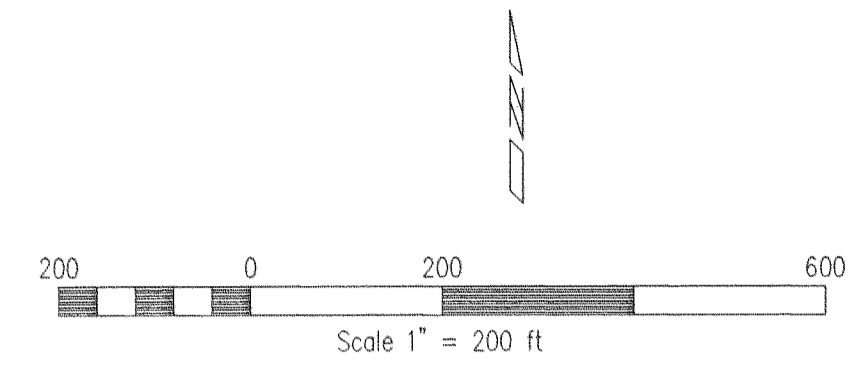
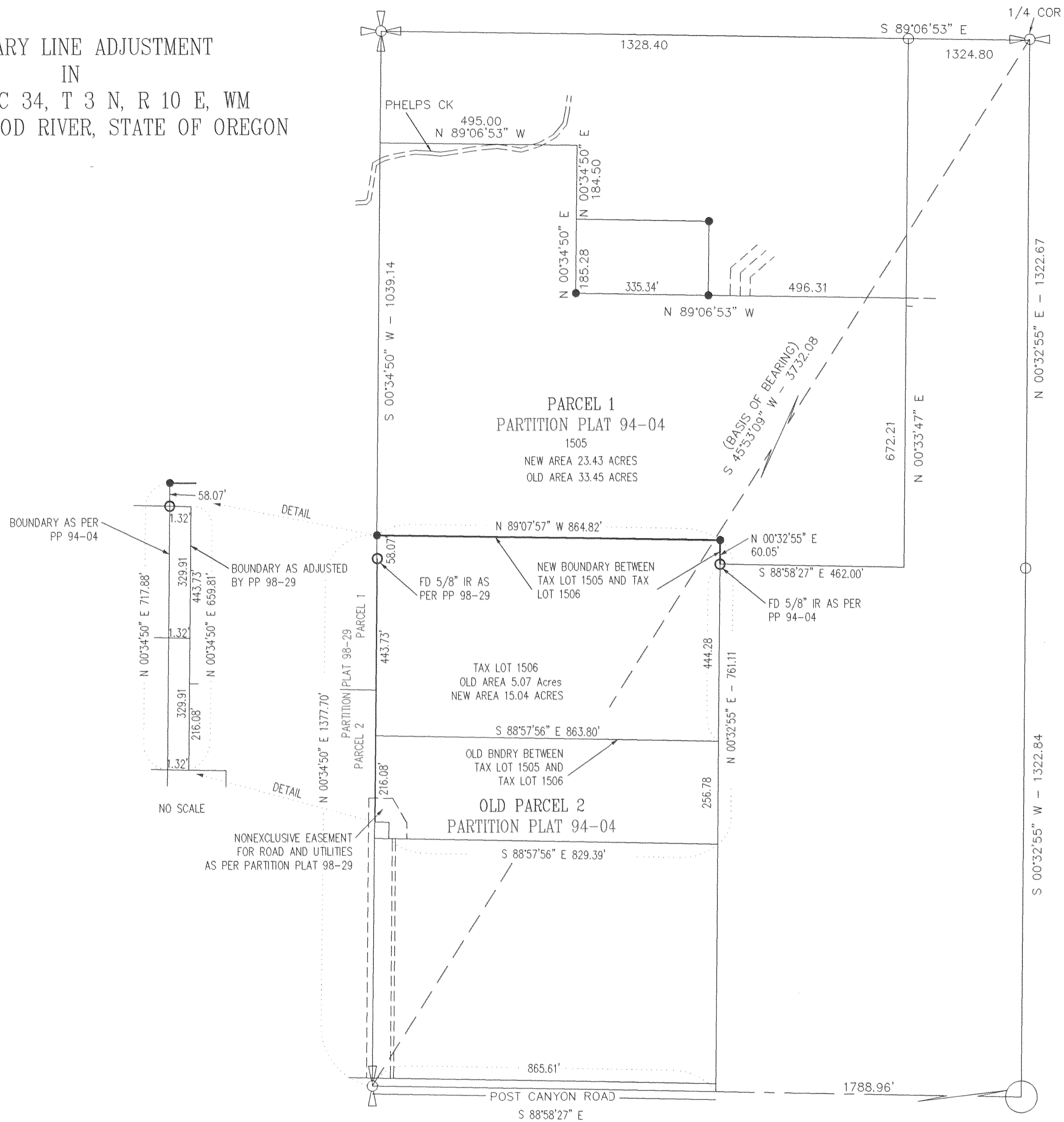


BOUNDARY LINE ADJUSTMENT
 IN
 NW 1/4 SEC 34, T 3 N, R 10 E, WM
 COUNTY OF HOOD RIVER, STATE OF OREGON



FILED
 FEB 25 2000
Anthony C. Klein

LEGEND

- = SET 5/8" IR WITH PLASTIC CAP MARKED OR #932 & WA #22098 EXCEPT AS NOTED
- = FOUND MONUMENT AS PER PP 94-04
- = CALCULATED CORNER AS NOTED
- ⊕ = CALCULATED 1/4 COR AS PER PP 94-04
- ⊗ = CALCULATED SEC COR AS PER PP 94-04
- = CENTER 1/4
- = 1/16 COR

REFERENCE SURVEYS

PARTITION PLAT 94-04
 FILED APRIL 21, 1994 AND
 CORRECTED BY AFFIDAVIT
 FILM NO. 951694

PARTITION PLAT 98-29
 FILED NOVEMBER 20, 1998

REGISTERED
 PROFESSIONAL
 LAND SURVEYOR

OREGON
 JULY 17, 1970
 ANTHONY C. KLEIN
 932

Expires 6-30-01



Klein & Assoc.

LAND SURVEYING
 1203 12TH STREET, SUITE H
 HOOD RIVER, OREGON 97031
 Tele: (541)386-3322
 DATE SURVEYED: DECEMBER 1999
 JOB NO.: 99023

BOUNDARY ADJUSTMENT FOR
 MICHAEL & PEGGY SPEDICK