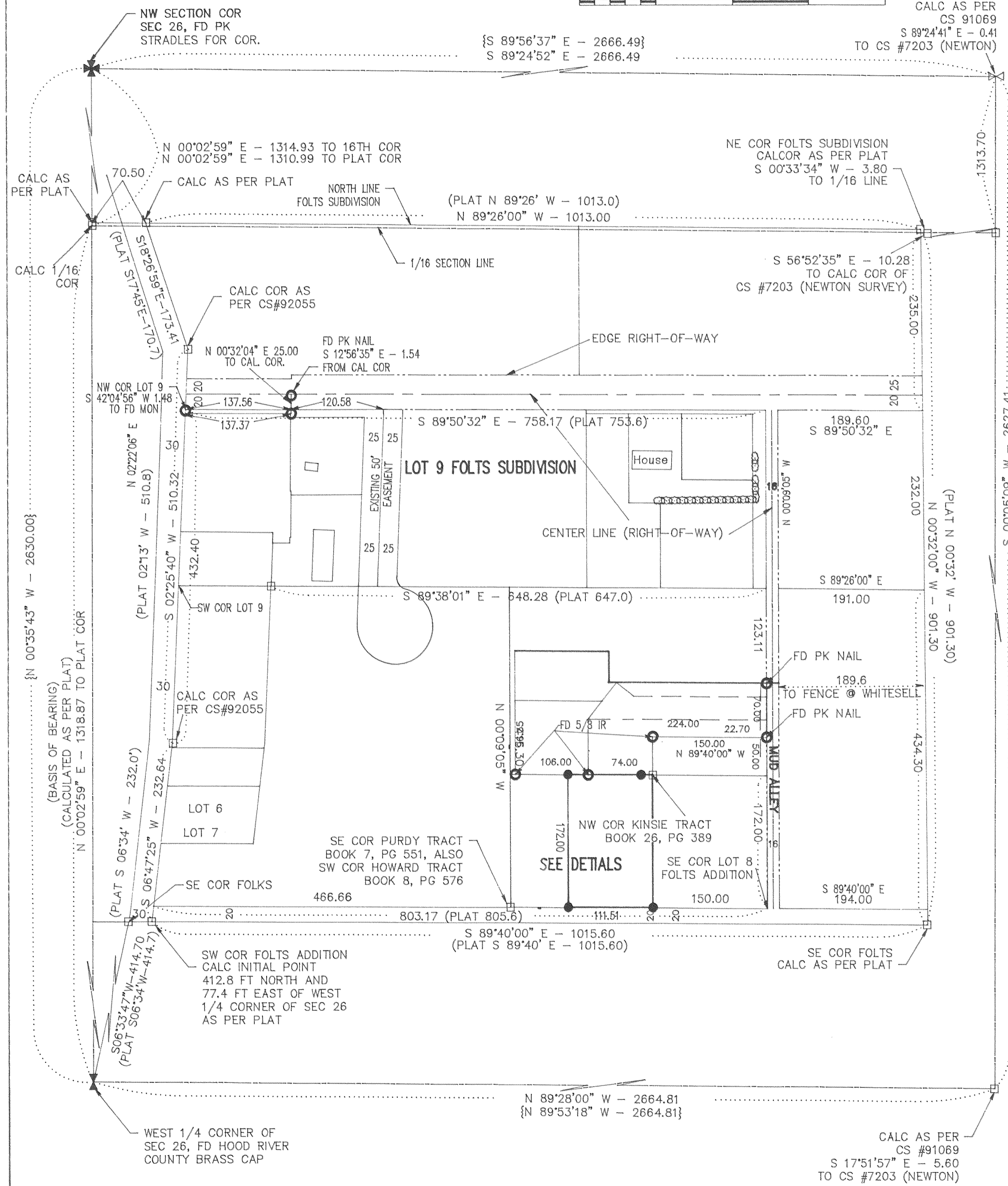


PARTITION PLAT IN THE  
SW 1/4, SEC 26, T 2 N, R 10 E, WM  
COUNTY OF HOOD RIVER, STATE OF OREGON



**NARRATIVE OF SURVEY**

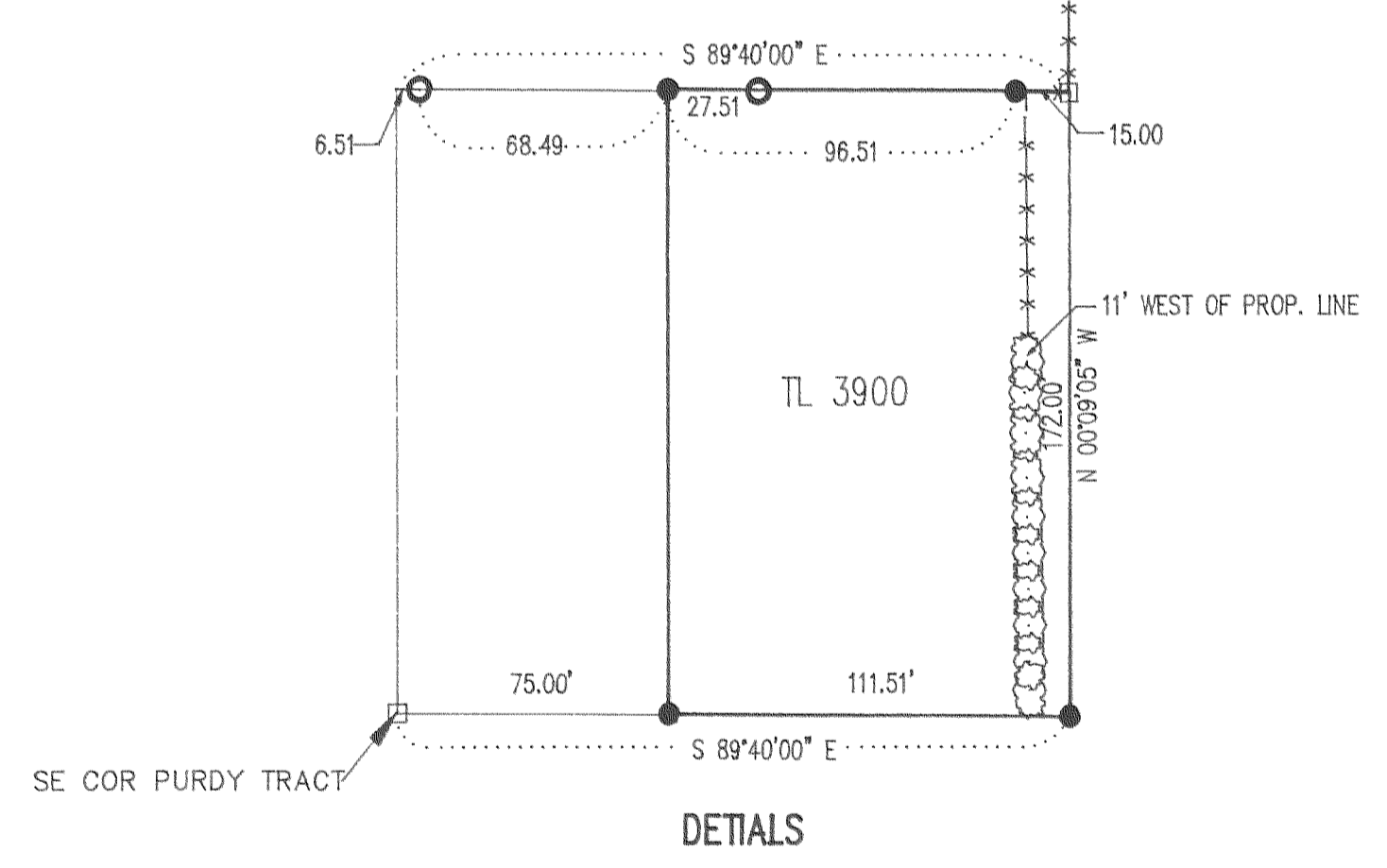
THE PURPOSE OF THIS SURVEY WAS TO LOCATE THE BOUNDARY OF THE PARCEL SHOWN HEREIN. THE SE CORNER OF THE PURDY TRACT WAS CALCULATED AT 499 FEET FROM THE SW CORNER OF FOLTS SUBDIVISION. THE LEGAL DISCRPTION FOR THE PURDY TRACT GAVE A CALL FROM THE SOUTHWEST CORNER OF LOT 8 OF FOLTS SUBDIVISION TO THE SOUTHWEST CORNER OF THE FOLTS PLAT WHICH IS AMBIGUOUS AND WE HELD THE SOUTHWEST CORNER OF THE PLAT FOR THIS SURVEY. ALL MONUMENTS FOUND AND ESTABLISHED ALONG WITH THE MEASURED BEARING AND DISTANCES ARE SHOWN HEREIN.

**REFERENCE SURVEYS**

SURVEY BY KLEIN & ASSOC.  
SURVEY BY FROST, MAR 13, 1991, CS #92055  
SURVEY BY BISHOP, MAR 27, 1979, CS #8004  
SURVEY BY BISHOP, MAR 15, 1978, CS #8005  
SURVEY BY NEWTON, DEC 20, 1971, CS #7203  
ORIGINAL PLAT FOLTS SUBDIVISION

**LEGEND**

- = FD MONUMENTS AS NOTED
- = SET 5/8" IR WITH PLASTIC CAP MARKED OR 932 & WA 22098
- = CALCULATED CORNER AS NOTED
- ⊗ = CALCULATED 1/4 COR AS NOTED
- ⊕ = CALCULATED SEC COR AS NOTED
- ⊗ = FOUND 1/4 COR AS NOTED
- ⊕ = FOUND SEC COR AS NOTED
- (S XXX'XX" E, XXX.XX) = PLAT DISTANCE & BEARING
- {S XXX'XX" E, XXX.XX} = DLC SURVEYING, CS #91069
- [S XXX'XX" E, XXX.XX] = FROST SURVEYING, CS #92055



**FILED**

FEB 19 1999  
Richard J. Klein  
COUNTY SURVEYOR

REGISTERED  
PROFESSIONAL  
LAND SURVEYOR

OREGON  
JULY 17, 1970  
ANTHONY C. KLEIN  
932  
EXPIRES JUNE 30, 1999



**Klein & Assoc.**  
LAND SURVEYING  
1109 Country Club Road  
Hood River, Oregon 97031  
Tele: (503)386-3322  
DATE SURVEYED: MAR & AUG 1998  
JOB NO: 98083

BOUNDARY SURVEY  
FOR  
LLOYD PHILLIPS