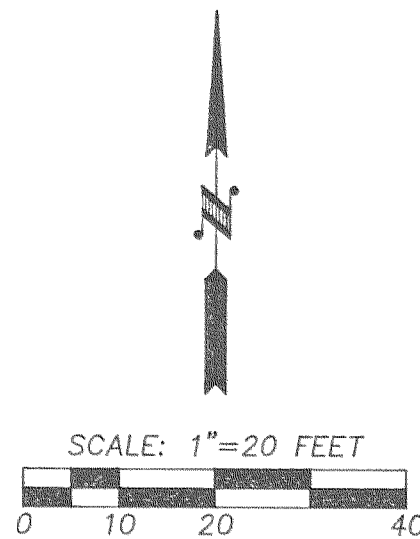


TOPOGRAPHIC & BOUNDARY SURVEY  
for  
JOHN W. AND JUDITH B. WEBB



NARRATIVE:  
NO MAJOR DISCREPANCIES WERE FOUND.

REGISTERED  
PROFESSIONAL  
LAND SURVEYOR

*Roy O. Gaylord*

OREGON  
JULY 13, 1979  
ROY O. GAYLORD  
1815

Expires June, 1999

BASIS OF BEARING:  
N.A.D 1983, OREGON NORTH, GRID BEARINGS

VERTICAL DATUM:  
ASSUMED ELEVATION AT GARAGE CORNER.  
CONTOUR INTERVAL OF 1 FOOT.

REFERENCES:  
COUNTY SURVEY NUMBER 80066  
COUNTY SURVEY NUMBER 95045  
TERRA SURVEYING PROJECTS: No. 8821 AND No. 9305

LOCATION OF SURVEY:  
THE NORTH 123.00 FEET OF THE EAST  
HALF OF LOT 1, BLOCK 1, SOUTH WAUCOMA,  
SECTION 36BB, TOWNSHIP 3 NORTH, RANGE  
10 EAST OF THE WM., IN THE CITY OF HOOD  
RIVER, OR.

- LEGEND:
- SET 5/8" X 30" IRON ROD WITH PLASTIC CAP
  - FOUND MONUMENT OF RECORD
  - CALCULATED, NOT FOUND OR SET
  - ( ) DEED OR PLAT CALL
  - +102.3 SELECTED SPOT ELEVATION

**FILED**

FEB 19, 1999

*Ridel G. Smith*

COUNTY SURVEYOR

TERRA SURVEYING

DATE: JULY, 1998  
SCALE: 1" = 20'  
PROJECT: 9841TOPO

P.O. BOX 617  
HOOD RIVER, OREGON 97031

PHONE & FAX: (541) 386-4531  
terra@gorge.net