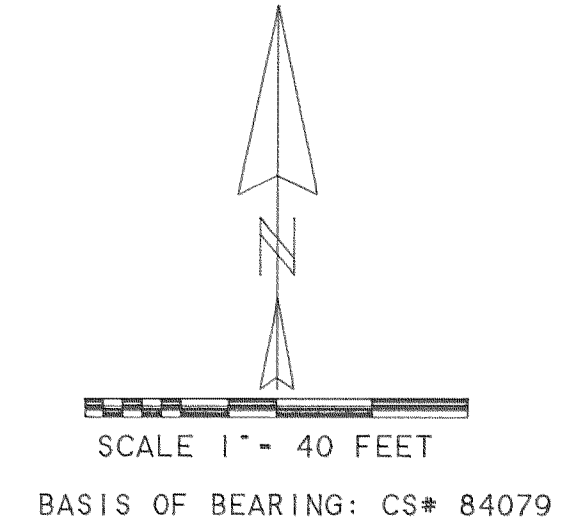
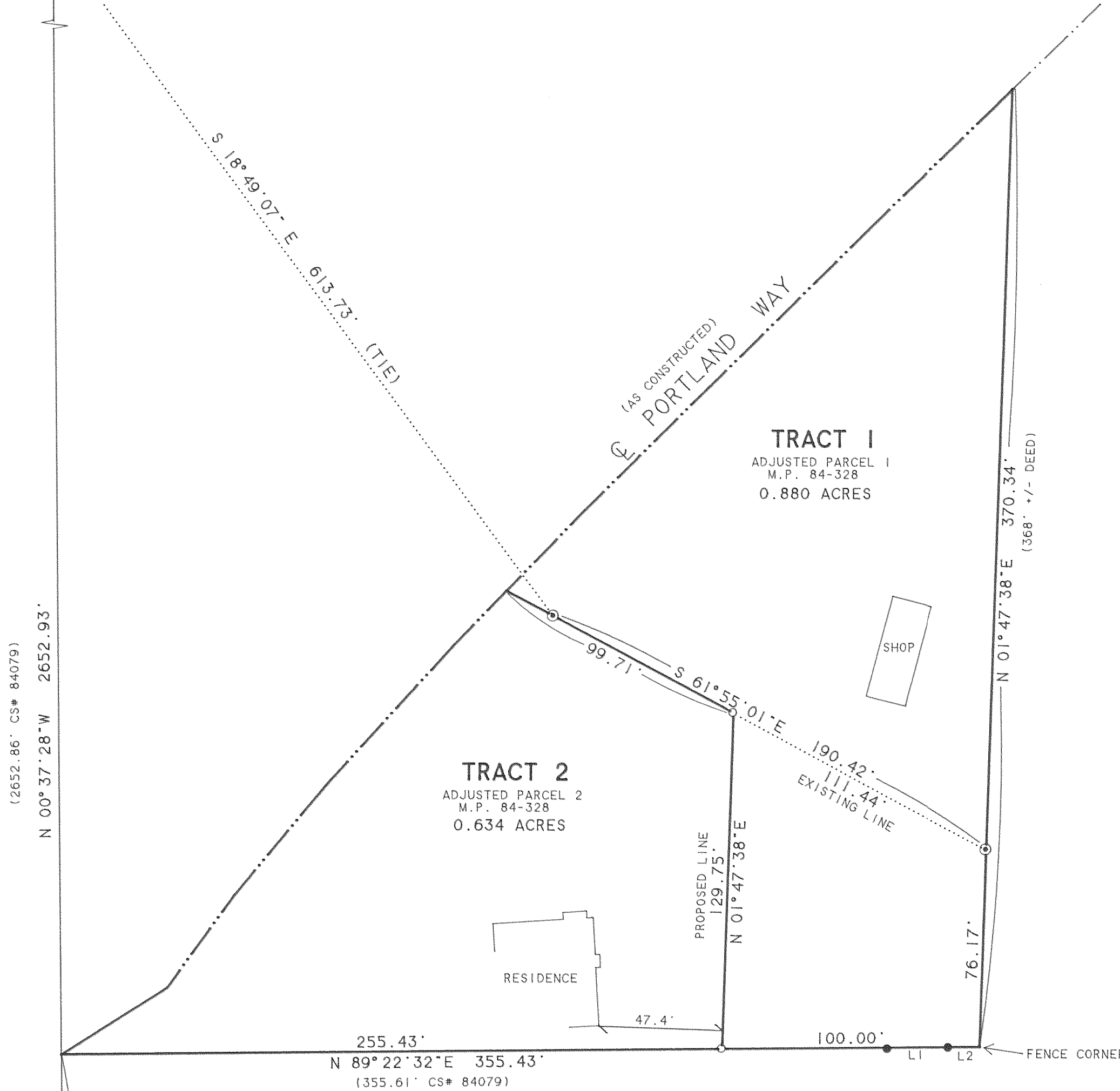


NORTHWEST CORNER  
SECTION 16  
FOUND BRASS DISC  
IN MONUMENT CASE



**AREA TABLE**

TRACT 1 EXISTING:	0.644 ACRES
TRACT 1 PROPOSED:	0.880 ACRES
TRACT 2 EXISTING:	0.870 ACRES
TRACT 2 PROPOSED:	0.634 ACRES

**LEGEND**

- SET 1/2" IRON ROD WITH YELLOW PLASTIC CAP STAMPED "WYEAST PLS 2393"
- FOUND 1 & 1/2" IRON PIPE
- ⊙ FOUND 1/2" IRON ROD AS PER CS# 84079

**NARRATIVE**

THE PURPOSE OF THIS SURVEY IS TO FILE FOR RECORD AND TO MONUMENT THE PROPOSED LINE OF A PROPERTY LINE ADJUSTMENT BETWEEN PARCELS 1 AND 2 OF MINOR PARTITION NO. 84-328. SAID PARTITION WAS RECORDED JUNE 21, 1985 AS FEE NO. 851122. BOTH PARCELS ARE UNDER THE SAME OWNERSHIP AND ALSO DESCRIBED COLLECTIVELY AS TAX LOT 3100. 2N 10 16. MONUMENTS WERE RECOVERED FROM CS# 84079 TO ESTABLISH THE BOUNDARIES. THE PROPOSED LINE WAS ESTABLISHED AS PER CLIENT INSTRUCTION.

LINE	BEARING	DISTANCE
L 1	N 88° 37' 06" E	23.83'
L 2	N 87° 58' 11" E	11.98'

**SURVEY**

SITUATED IN THE NORTHWEST QUARTER OF SECTION 16 T2 NORTH, R10 EAST, W.M. HOOD RIVER COUNTY, OREGON

**FOR:**

DICK SHERRELL

**FILED**

NOV 23, 1998

*Kevin Dowd*  
COUNTY CLERK

REGISTERED  
PROFESSIONAL  
LAND SURVEYOR

*Kevin Dowd*  
OREGON  
JULY 26, 1989  
KEVIN DOWD  
2393

RENEW DATE: 12-31-99  
OCTOBER 1, 1998

WYEAST SURVEYS  
KEVIN DOWD  
4399 WOODWORTH DR.  
MT HOOD, OR 97041  
(541) 352-6065

WEST QUARTER CORNER  
SECTION 16  
FOUND BRASS DISC  
IN MONUMENT CASE