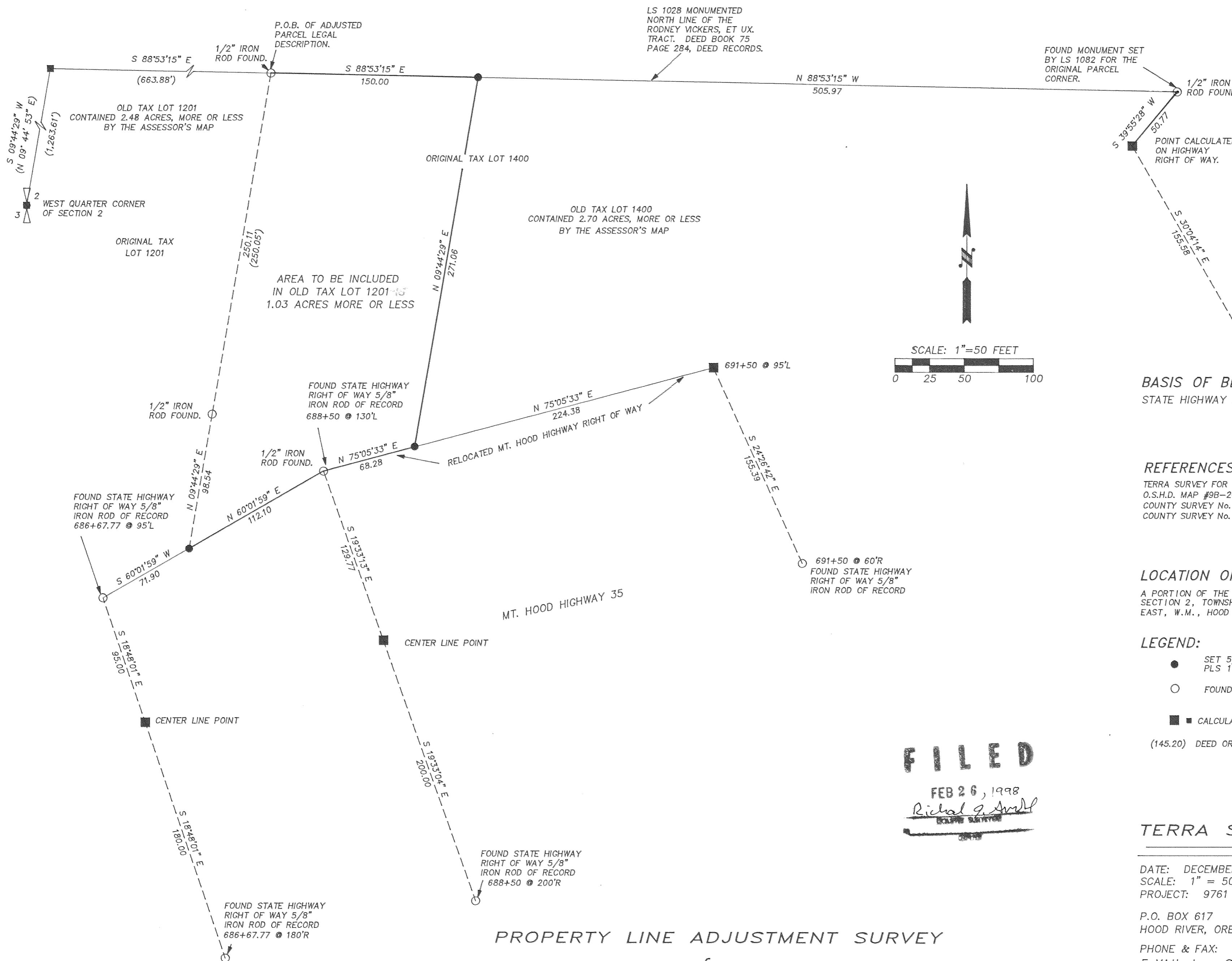


NARRATIVE:

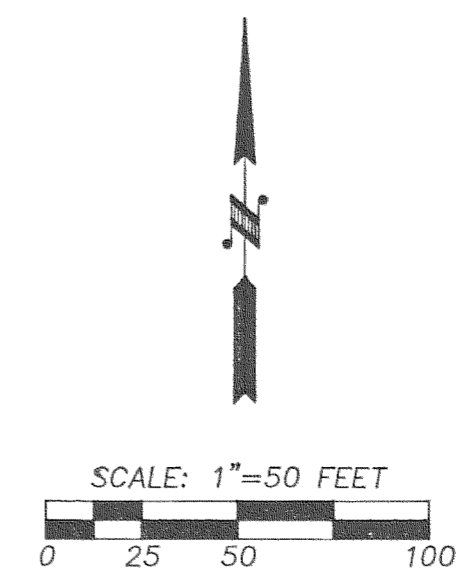
NO MAJOR DISCREPANCIES WERE FOUND.
NO WATER RIGHTS ARE APPURTENANT TO EITHER TAX LOT.



REGISTERED
PROFESSIONAL
LAND SURVEYOR

Roy O. Gaylord
OREGON
JULY 13, 1979
ROY O. GAYLORD
1815

EXPIRES JUNE, 1999



BASIS OF BEARING:

STATE HIGHWAY MAP OF NEW HIGHWAY 35.

REFERENCES:

TERRA SURVEY FOR KENNETH BARTRUM, SEPTEMBER 1984.
O.S.H.D. MAP #9B-2-12 OF HIGHWAY 35.
COUNTY SURVEY No. 86029, LS 1028 APRIL 1986.
COUNTY SURVEY No. 88004, LS 1028 DECEMBER 1987.

LOCATION OF SURVEY:

A PORTION OF THE NORTHWEST QUARTER OF SECTION 2, TOWNSHIP 1 NORTH, RANGE 10 EAST, W.M., HOOD RIVER COUNTY, OR.

LEGEND:

- SET 5/8" BY 30 INCH REBAR WITH PLS 1815 RED CAP.
- FOUND MONUMENT OF RECORD
- ■ CALCULATED, NOT FOUND OR SET
- (145.20) DEED OR PLAT DISTANCE & BEARING.

FILED

FEB 26, 1998
Richard G. Smith
LAND SURVEYOR

TERRA SURVEYING

DATE: DECEMBER, 1997
SCALE: 1" = 50'
PROJECT: 9761

P.O. BOX 617
HOOD RIVER, OREGON 97031
PHONE & FAX: (503) 386-4531
E-MAIL terra@gorge.net

PROPERTY LINE ADJUSTMENT SURVEY
for
IRVINE SMITH