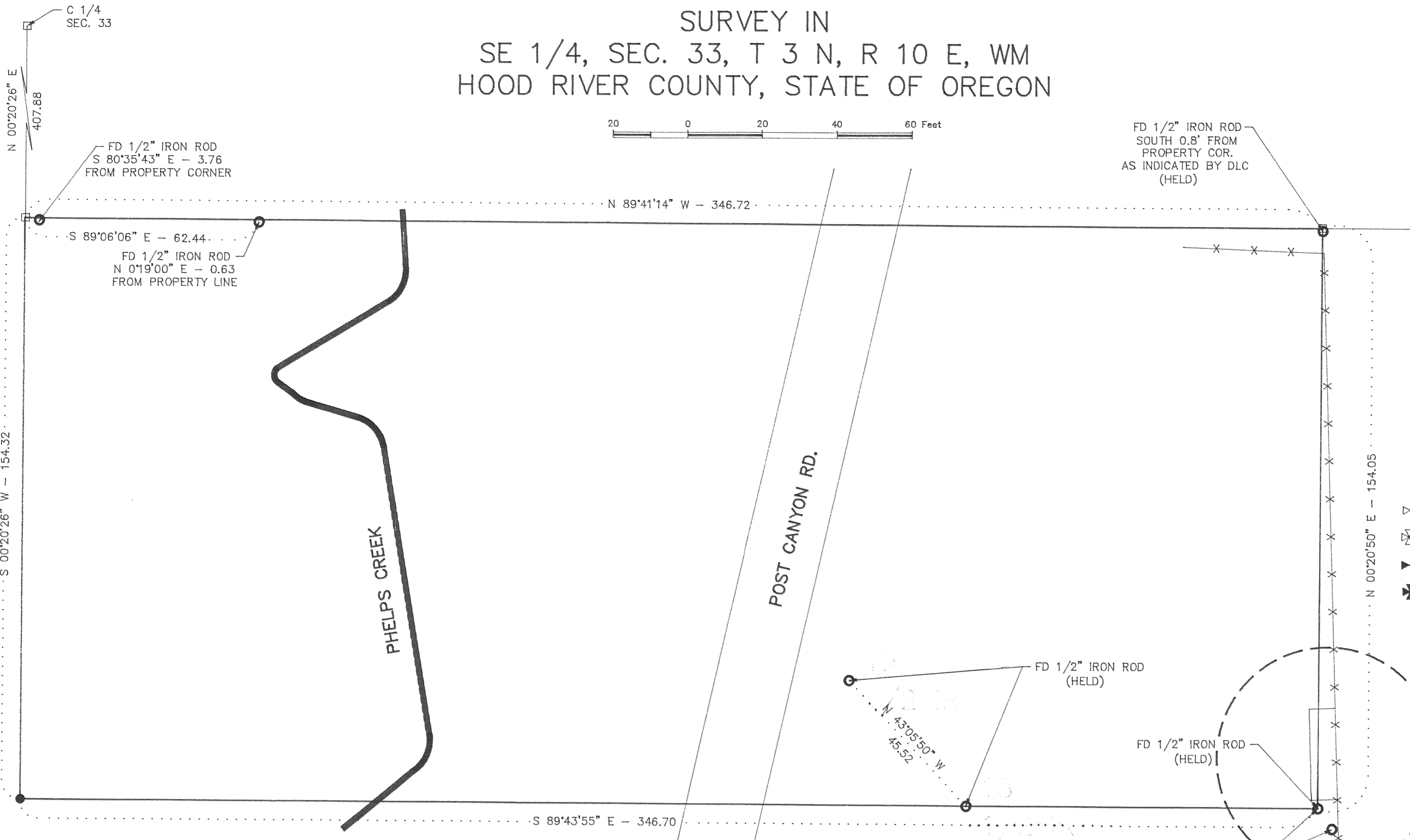
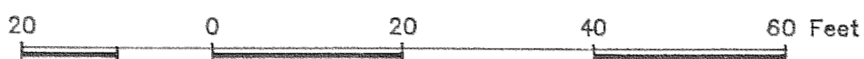


SURVEY IN
SE 1/4, SEC. 33, T 3 N, R 10 E, WM
HOOD RIVER COUNTY, STATE OF OREGON



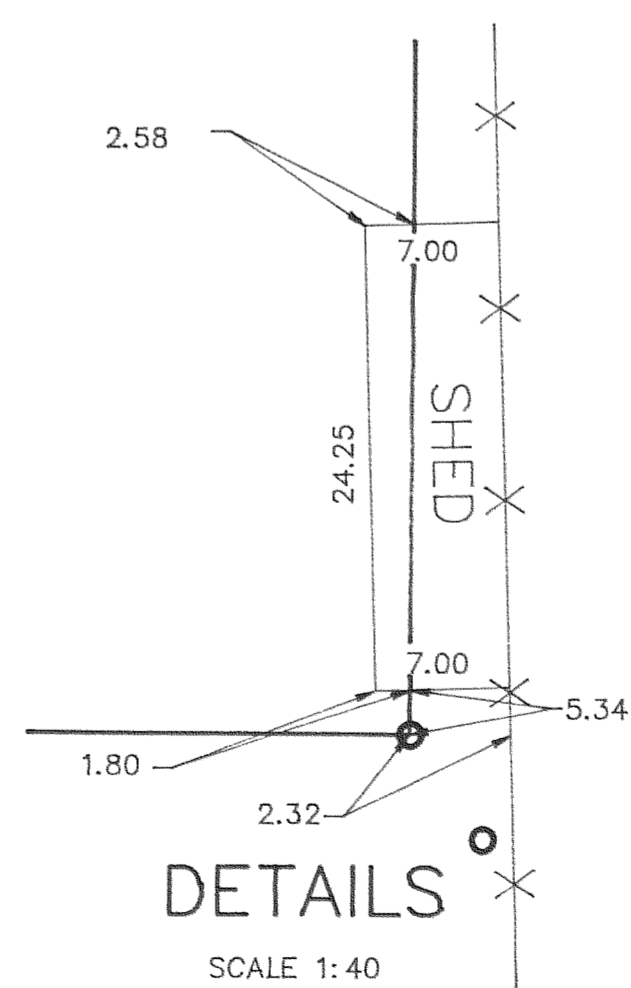
- LEGEND**
- = SET 5/8" IR WITH PLASTIC CAP MARKED OR #932 & WA #22098 EXCEPT AS NOTED
 - = FOUND MONUMENT AS NOTED
 - = CALCULATED CORNER AS NOTED
 - ⊗ = CALCULATED 1/4 COR AS NOTED
 - ⊗ = CALCULATED SEC COR AS NOTED
 - ⊗ = FOUND 1/4 COR AS NOTED
 - ⊗ = FOUND SEC COR AS NOTED

NOTE:
 BASIS OF BEARING AS PER DLC SURVEYING CS #79065. MONUMENTS FOUND AND SET AS PER DLC CALCULATION.

REFERENCE SURVEYS
 SURVEY BY DCL SURVEYING CS #79065
 SURVEY BY DLC SURVEYING CS #79155

NARRATIVE OF SURVEY
 THE PURPOSE OF THE SURVEY WAS TO ESTABLISH THE BOUNDARY OF THE PARCEL SHOWN ABOVE. IT WAS FOUND THAT THE SHED ENCROUCHES ONTO THE ADJACENT PARCEL. THE IRON ROD FOUND NEXT TO THE FENCE WAS ASSUMED TO BE THE BOUNDARY. ALL MONUMENTS FOUND AND ESTABLISHED ALONG WITH THE MEASURED BEARINGS AND DISTANCES ARE SHOWN HEREIN.

SURVEY FOR
GLENN & CINDY ELLIOT



FILED
 JUN 18
 COUNTY SURVEYOR

REGISTERED PROFESSIONAL LAND SURVEYOR

Anthony C. Klein

OREGON
 JULY 17, 1970
 ANTHONY C. KLEIN
 932

EXPIRES 6-30-97

Klein & Assoc.

LAND SURVEYING
 1109 Country Club Road
 Hood River, Oregon 97031
 Teler (503)386-3322
 DATE SURVEYED: JUNE 1997
 JOB NO: 97016

97035