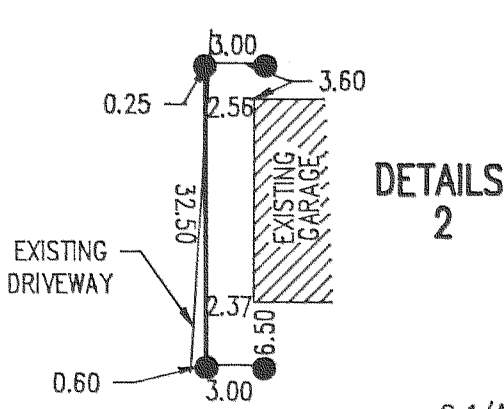
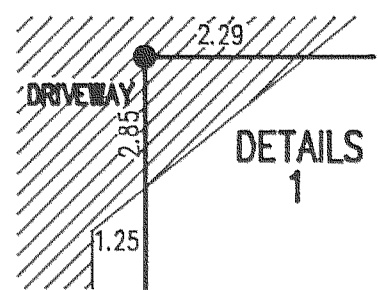
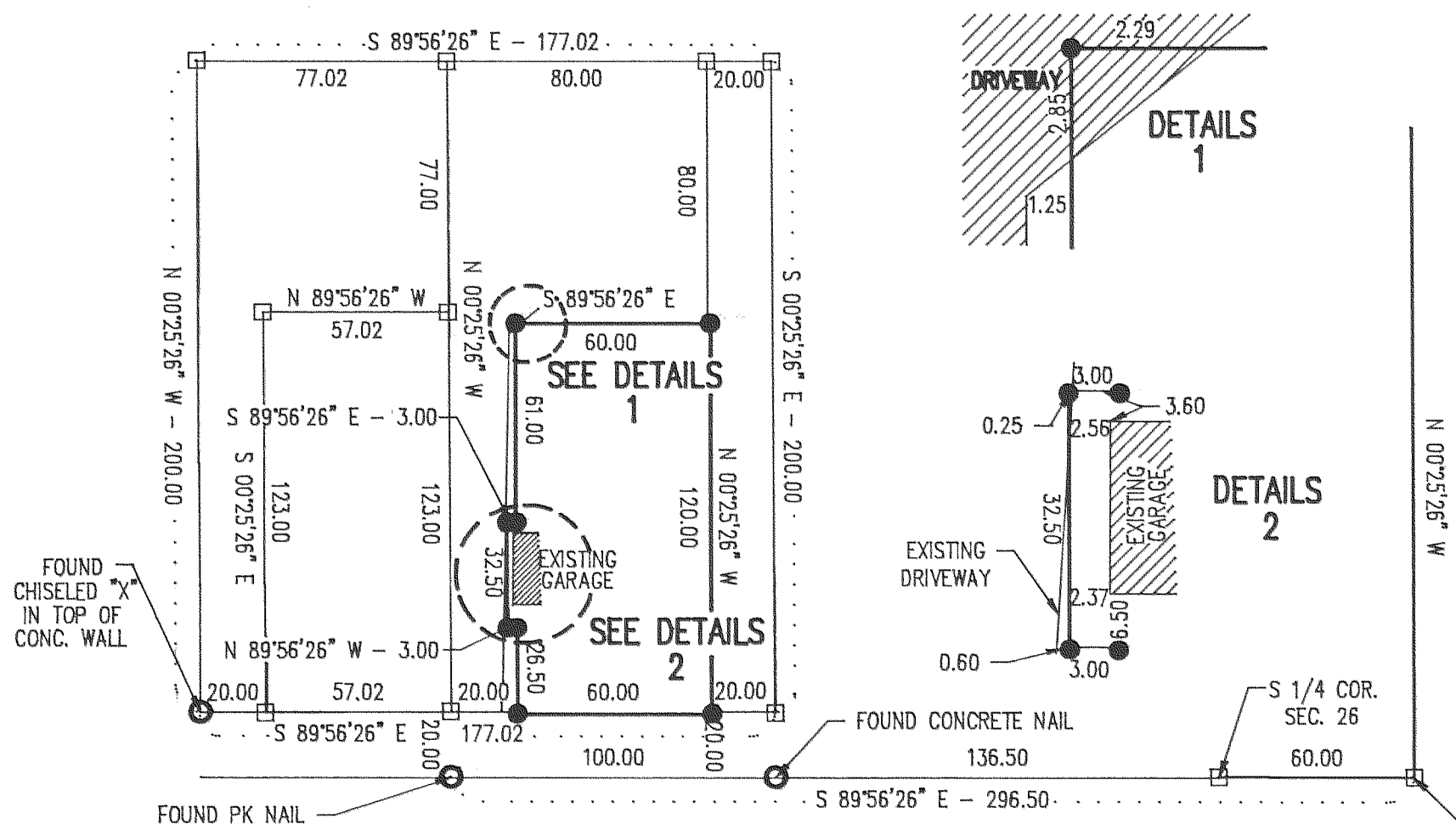
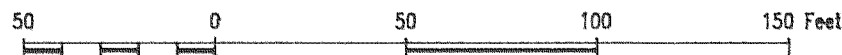


SURVEY IN  
 BLK. 23, ADAMS PARADISE ACRES  
 SE. 1/4 SW. 1/4, SEC. 26, T 3 N, R 10 E, WM  
 HOOD RIVER CITY, STATE OF OREGON



**LEGEND**

- = SET 5/8" IR WITH PLASTIC CAP MARKED OR #932 & WA #22098 EXCEPT AS NOTED
- = FOUND MONUMENT AS NOTED
- = CALCULATED CORNER AS NOTED

**FILED**  
 JUL 22, 1996  
*Richard L. Baum*  
 COUNTY SURVEYOR

REGISTERED  
 PROFESSIONAL  
 LAND SURVEYOR

*Anthony C. Klein*

OREGON  
 JULY 17, 1970  
 ANTHONY C. KLEIN  
 932

EXPIRES 6-30-97



**Klein & Assoc.**

LAND SURVEYING  
 1109 Country Club Road  
 Hood River, Oregon 97031  
 Tele: (503)386-3322  
 DATE SURVEYED: JULY 1996  
 JOB NO.: 96039

**NARRATIVE OF SURVEY**

THE PURPOSE OF THE SURVEY WAS TO LOCATE THE BOUNDARY OF THE PARCEL SHOWN ABOVE. IT WAS FOUND THAT A EXISTING CONCRETE DRIVEWAY ENCREACHED ONTO THE NORTH WEST CORNER OF THE PARCEL. ALL MONUMENTS FOUND AND ESTABLISHED ALONG WITH THE MEASURED BEARINGS AND DISTANCES ARE SHOWN HEREIN.

**REFERENCE SURVEYS**

SURVEY BY BISHOP SURVEYING, INC 3-11-81  
 CS #81023  
 SURVEY BY DLC SURVEYING, 3-14-81  
 CS #81033

S.E. COR  
 LOT 23  
 A.P.A

SURVEY  
 FOR  
**RICHARD L. BAUM**