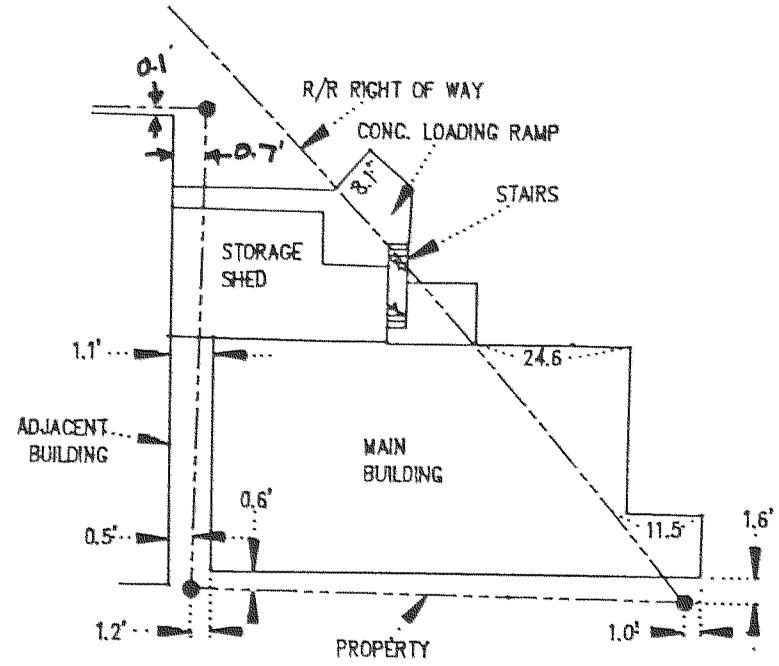
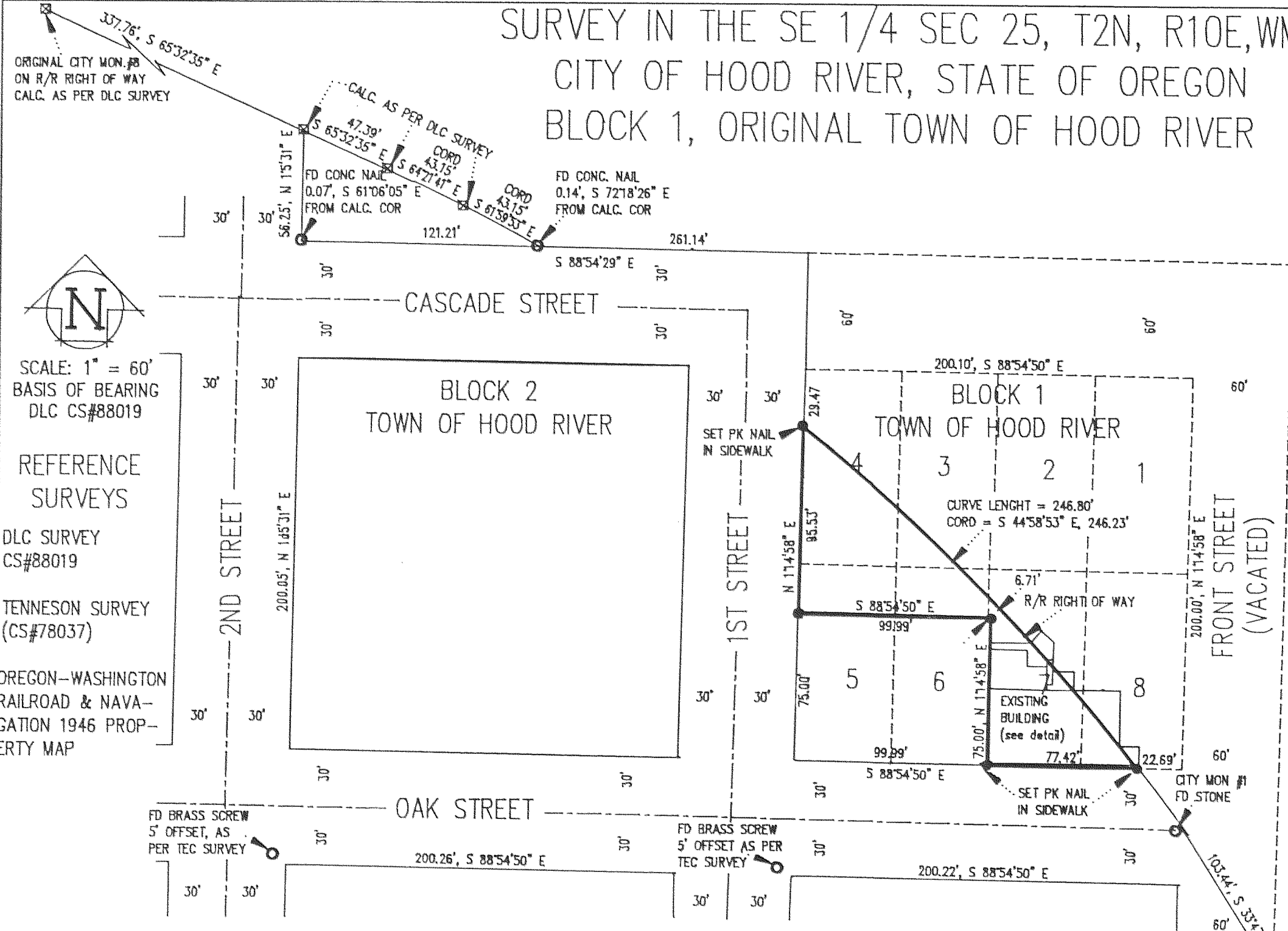


SURVEY IN THE SE 1/4 SEC 25, T2N, R10E, WM  
 CITY OF HOOD RIVER, STATE OF OREGON  
 BLOCK 1, ORIGINAL TOWN OF HOOD RIVER



DETAIL  
 BUILDING LOCATION  
 NO SCALE

- LEGEND
- = SET 5/8" IR/PLASTIC CAP UNLESS NOTED
  - = FOUND MONUMENT AS NOTED
  - ⊠ = CALCULATED CORNER

NARRATIVE

Surveys by DLC Survey (CS#88019) and Tenneson Survey (CS#78037) were used as reference for this survey. The block was proportioned East and West using existing monuments. Plat distances were held North and South. The Rail Road curve was calculated as per DLC Survey (CS#88019). All Monuments found and set are shown herein along with with distances and bearings. The building encroaches on the Railroad and those distances are shown. The present owner has had a lease with the Railroad for quite some time. The lease area is not shown on this plat.

SCALE: 1" = 60'  
 BASIS OF BEARING  
 DLC CS#88019

REFERENCE  
 SURVEYS

DLC SURVEY  
 CS#88019

TENNESON SURVEY  
 (CS#78037)

OREGON-WASHINGTON  
 RAILROAD & NAVA-  
 GATION 1946 PROP-  
 ERTY MAP

**FILED**

JUN 16, 1989

*Richard G. Arnold*  
 COUNTY SURVEYOR  
 DEPUTY

SURVEY FOR  
 SCHLOSSER MACHINE

REGISTERED  
 PROFESSIONAL  
 LAND SURVEYOR

*Anthony C. Klein*

OREGON  
 JULY 17, 1933  
 ANTHONY C. KLEIN  
 932

CITY MON, R/R IRON  
 CALC. AS PER  
 DLC SURVEY

**Klein & Assoc.**

LAND SURVEYING  
 1109 Country Club Road  
 Hood River, Oregon 97031  
 Tele: (503)386-3322  
 DATE SURVEYED: MAY 1989  
 JOB NO: 89014