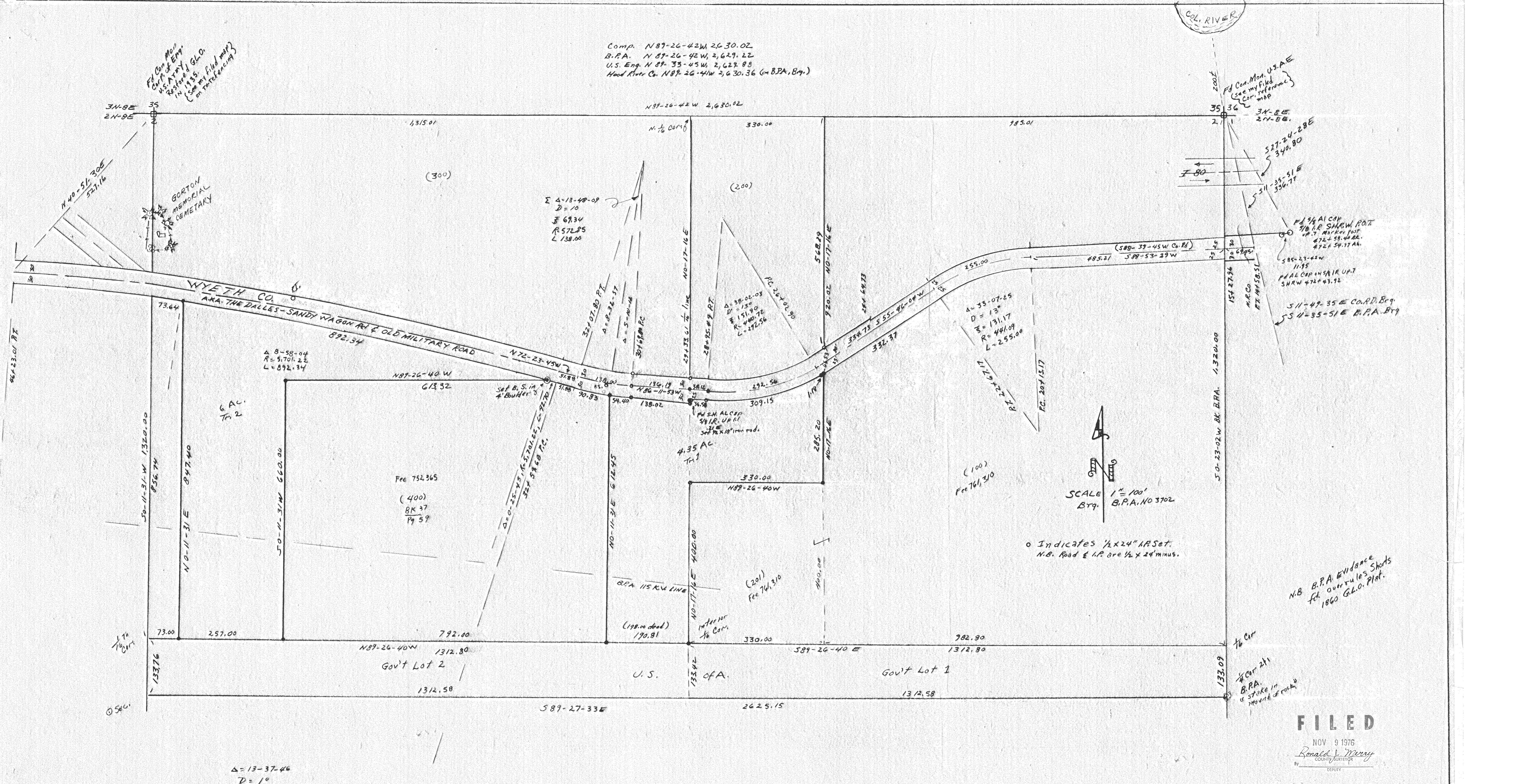


Fl. Con. Mon. U.S.A. Eng. Restore G.L.O. in 1935. (See my filed map on referencing)

Comp. N87-26-42W 2,630.02
 B.P.A. N87-26-42W, 2,629.22
 U.S. Eng. N89-33-43W, 2,628.88
 Hood River Co. N89-26-41W 2,630.36 (on B.P.A. B.P.)

COL. RIVER



$\Delta = 13-37-46$
 $D = 10$
 $\bar{F} = 684.90$
 $R = 5,731.22$
 $L = 4,363.33$

Source Maps: Bonneville Project, U.S. Corp. Eng. 1935
 Bonneville - The Dalles, B.P.A., Mile 3
 Assessor's Map, H.R. County
 Wyeth Co. Rd. H.R. Public Wks. Dept.
 G.L.O. 1860 plat & 1898 Plat & 1918 Supplemental plat.
 March 29 - Van Elsberg - Sec 1, 2N-8E
 Dec. 12 - 68 Tennessee Eng. Corp. - Sec 1, 2N-8E

BOUNDARY SURVEY
 OF
 PART TAX LOTS 200 & 300
 IN ME. 14 SEC. 2, T. 2N-R. 8E, W. 1M.
 For: H2Y, Inc.

SCALE 1" = 100'
 B.P.A. NO 3702

o Indicates 1/2 x 24" IR Set.
 N.B. Road & I.P. are 1/2 x 24" minus.

N.B. B.P.A. Evidence
 fct. overrules Shotts
 1860 G.L.O. Plat.

FILED
 NOV 9 1976
 Ronald J. Mery
 COUNTY SURVEYOR
 DEPUTY

REGISTERED
 PROFESSIONAL
 LAND SURVEYOR
 Clair E. Pense
 OREGON
 OCT. 24, 1959
 CLAIR E. PENSE
 460

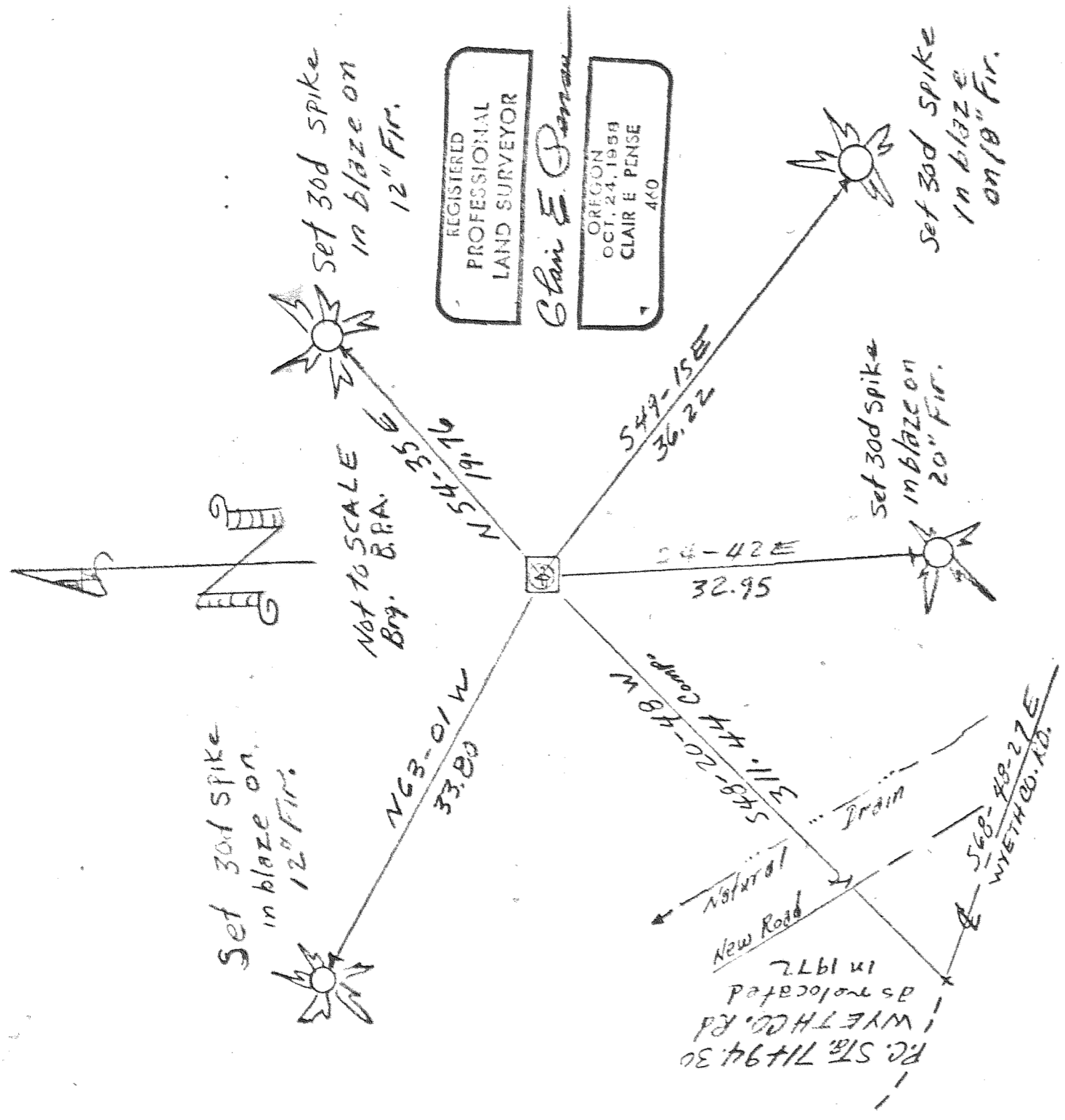
SEPT. NOV. 1976

HOOD RIVER CO.

6457 6456

34 | 35 T. 3 N. - R. 8 E.
 3 | 2 T. 2 N. - R. 8 E.; W.M.

Nov. 18, 1976
 Wx: Sunny 50°



7656

Found U.S. Army Emps. Con. Mon. with brass
 Cap. Stamped 34, 35, 3, Z; T 3 N. - R. 8 E. and
 T. 2 N. - R. 8 E., Land Survey monument.
 Bonneville Power Naug. Project. This Con.
 Restored G.L.O. in circa 1935 when U.S.A.E.
 re-ran the township line. Sets in 8' dug
 out place on side of hill.

Present: Clair E. Pense

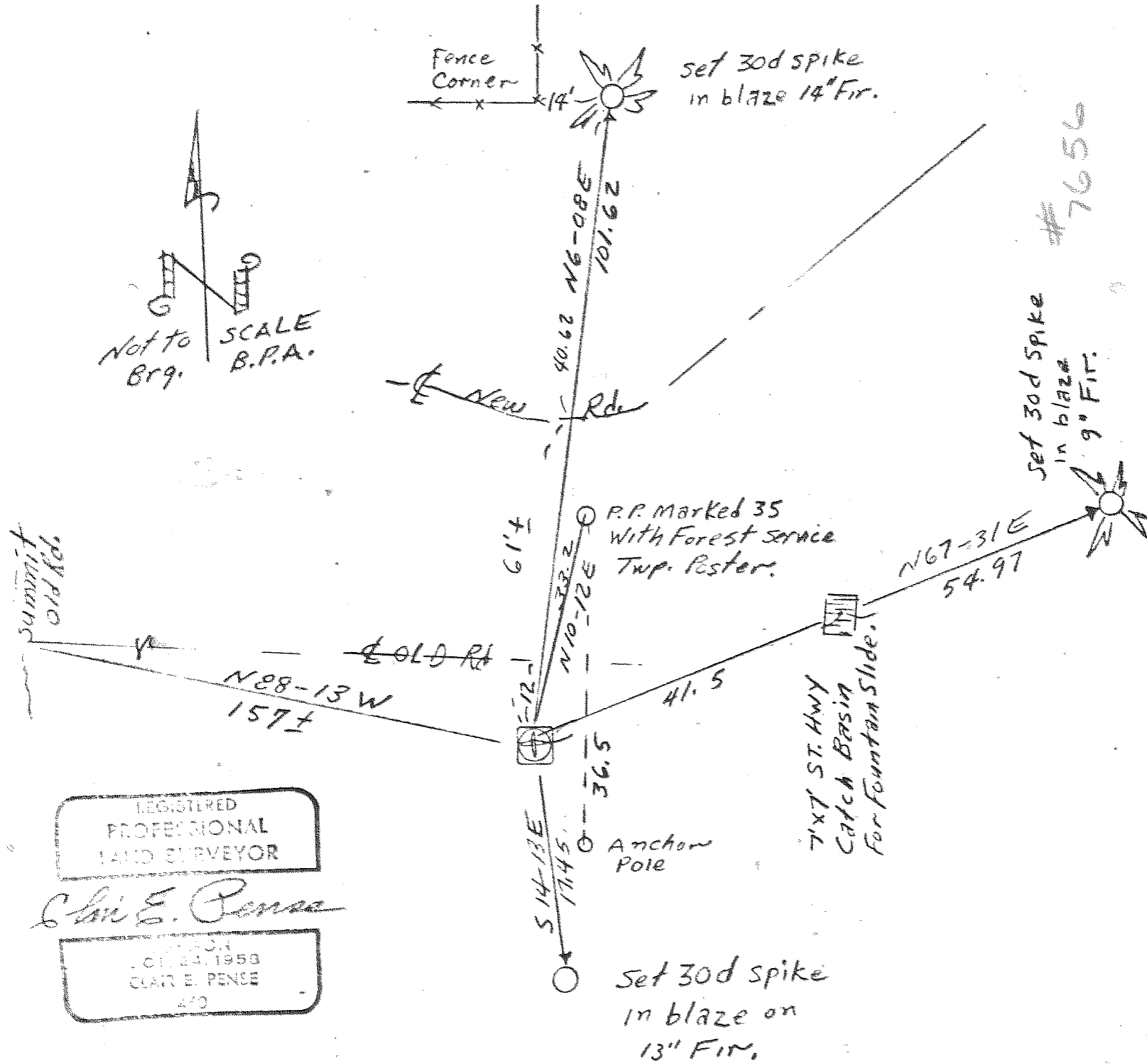
C. E. Pense, Ore Surveyor #60
 George Osorio
 Stanley C. Pense

6-459

HOOD RIVER CO.

34 7.3N-R8E
3 7.2N-R8E; W.M.

Dec. 6, 1916
WY P.C. by 40°



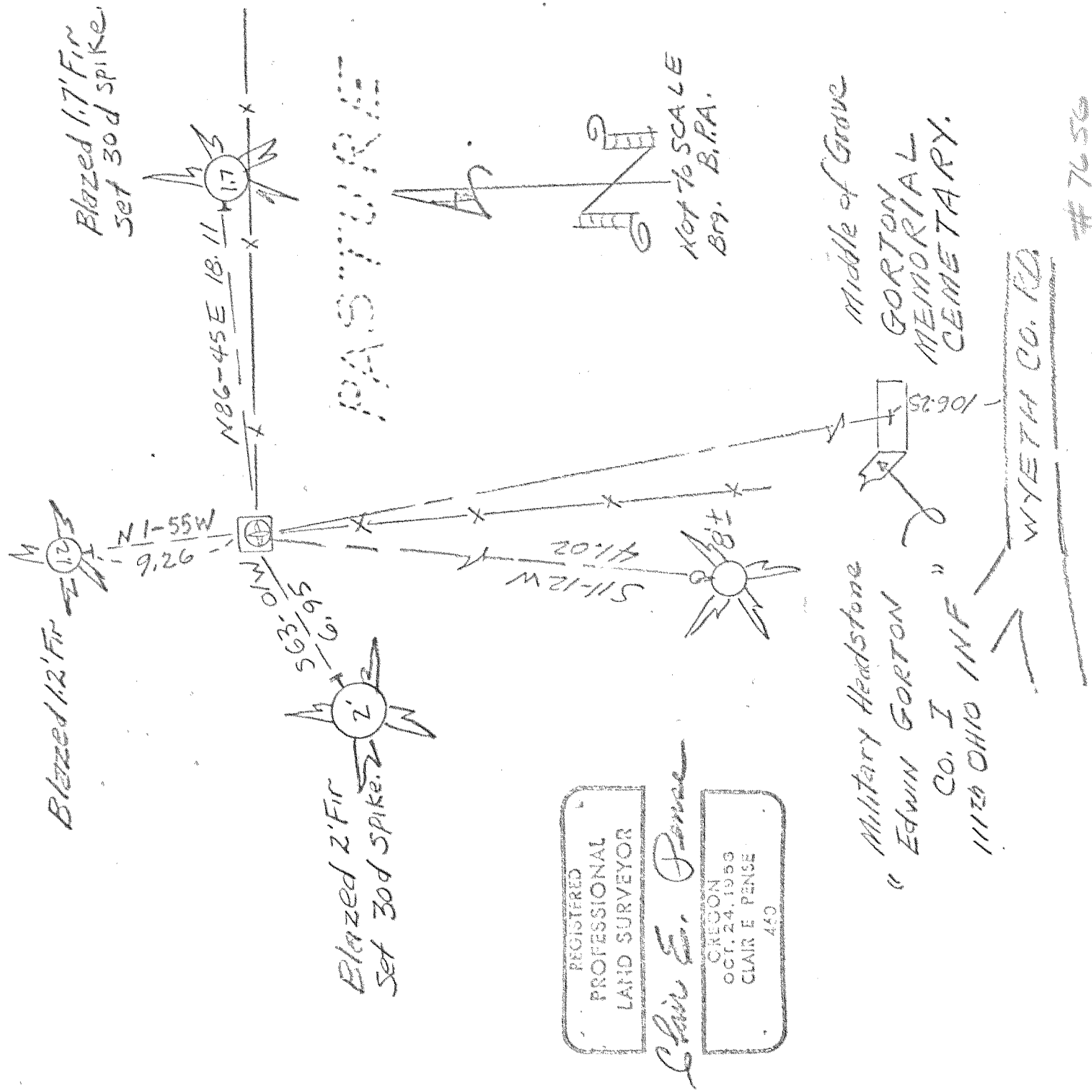
Me and Joe Yeager found this corner April 21, 1976. U.S. Army Engrs. Con. Mon. with brass Cap. Stamped Corp. of Eng. U.S. Army, Bonneville Power Navig. Project $\frac{34}{3}$ 7.3N-R.8E. & T. 2N-R.8E., Land Survey Monument. Restored G.L.O. in Circa 1935.

Present: Clair E. Pence

C.E. Pence, Ore Surveyor No 460
Marvin Calhoun
Colice Pence 6459

35
2
T. 3N. - R. 8E.
T. 2N. - R. 8E.; W.M.

Oct. 5, 1976
P. City 60°



REGISTERED
PROFESSIONAL
LAND SURVEYOR

Clair E. Pense

OREGON
OCT. 24, 1959
CLAIR E. PENSE
460

Found U.S. Army Engrs. Con. Mon. with brass
Cap. Stamped: Corps of ENGINEERS, BONNEVILLE
POWER NAVIG. PROJECT. T 3N- R 8E, 3rd T 2N- R 8E,
LAND SURVEY MONUMENT. Located at Fence
Corner, 2nd Growth timber in 3 quadrants
and S.E. Quadrant is pasture. Blazed
4 B.T.'s and SET 30d SPIKE IN CENTER OF
BLAZE.

Present: Clair E. Pense

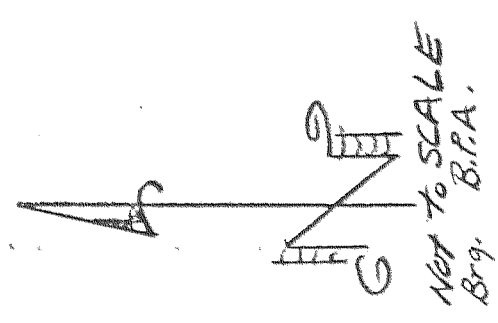
C.E. Pense, Ore. Surveyor 460
Terry Launius 6458

HOOD RIVER CO.

OCT. 1976

35 | 36
 2 | 1
 T. 3 N. - R. 8 E.
 T. 2 N. - R. 8 E., W. 6 M.

Sept. 7, 1976
 WX. 70° Sunny.



WATER EDGE
 old abandoned
 Railroad grade



576 - 43 - 30 W
 2740

150° NORTH

200.80

584° 59' 30" W
 11.1
 11.15

2.5 X 2.5
 Angle Iron
 Fence Post
 Set in Concrete.

O.S.H. Marker
 5 P.O.S. 471 + 254

1300' ± W. of Gorton Creek

O.S.H.R.W. Fence
 I 80



For slope

REGISTERED
 PROFESSIONAL
 LAND SURVEYOR

Clair E. Pense

OREGON
 OCT. 24, 1958
 CLAIR E. PENSE
 410

340.80
 527.24 - 28.9

O.S.H.R.W
 Fd 1/4 A1 Top

on 5/8 rebar, up 7
 Post & Marker 150
 472 + 58.40 BK.
 472 + 54.77 Ah.

7656

Found U.S. Army Engrs. Con. Mon. with brass
 Cap. Stamped 1, 2, 35 & 36, Survey mon. 1935.
 Found old rusted Forest Service Township
 poster hanging on 2.5 fir tree, tack at Corn.
 Drove a railroad spike into edge of old
 blaze on west side of fir and referenced
 as shown. Mon. down. 5.

Present: Clair E. Pense
 C.E. Pense, Orc. Surveyor 460
 Marvin Calhoun
 Jorge Osorio

HOOD RIVER CO.

6-458