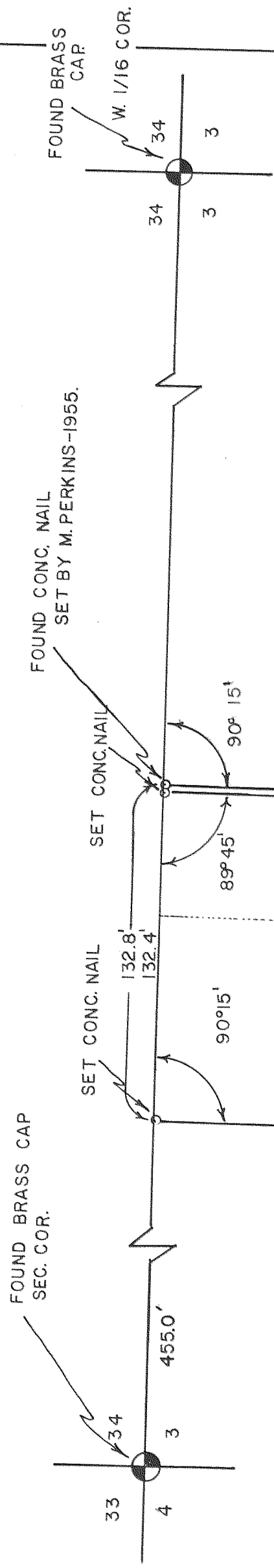


T3N, RIOE



T2N, RIOE

T.L. 2501.
(MAY 22, 1974.)
.83 ACRES

272.0'

272.0'

(50' ROAD EASEMENT)

SET PROP. COR.
BRASS ROD
AND CAP.

SET PROP. COR.
BRASS ROD AND CAP.

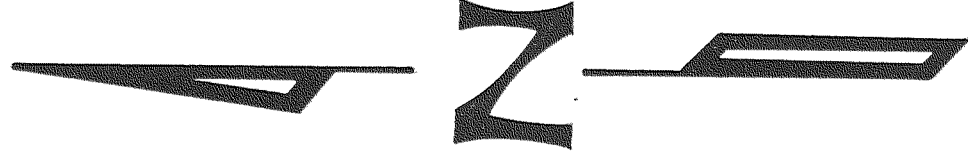
T.L. 2501.
(MAY 22, 1974.)
.50 ACRES

163.0'

163.0'

3/4" IRON PIPE - FOUND

3/4" IRON PIPE - FOUND
SET BY M. PERKINS - 1955.



PROPERTY SURVEY

A PARCEL OF LAND LOCATED
IN THE N.W. 1/4 OF SECTION
3, T2N., RIOE., W.M. - SURVEYED
FOR GEORGE BOSTWICK
HOOD RIVER CO., OREGON.
MAY 22, 1974.

SCALE 1" = 50'

REGISTERED
PROFESSIONAL
LAND SURVEYOR

Way H. Crawford

OREGON
JANUARY 25, 1948
P. H. Crawford