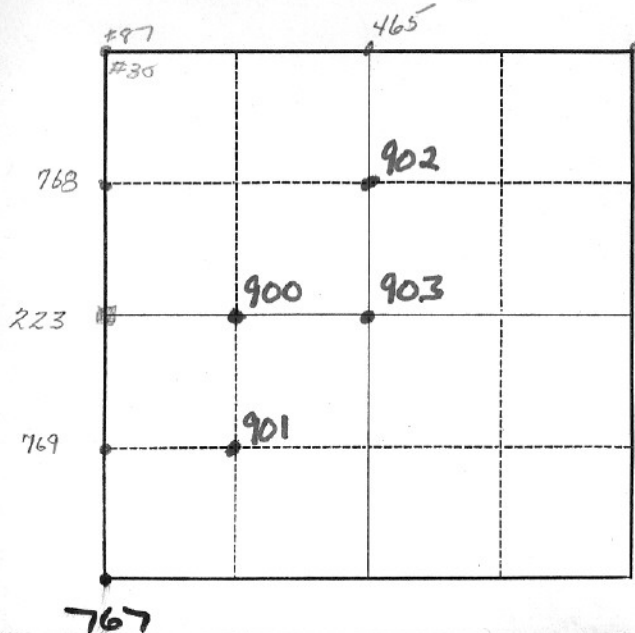


Card..... of.....

TWP. 1 N, RANGE 9 E E., W.M.

SECTION 2 3



NW Cor Cor #30 987

NE Cor #64 987

W 1/4 223

N 1/4 465

SW cor 767

---



---



---



---



---



---