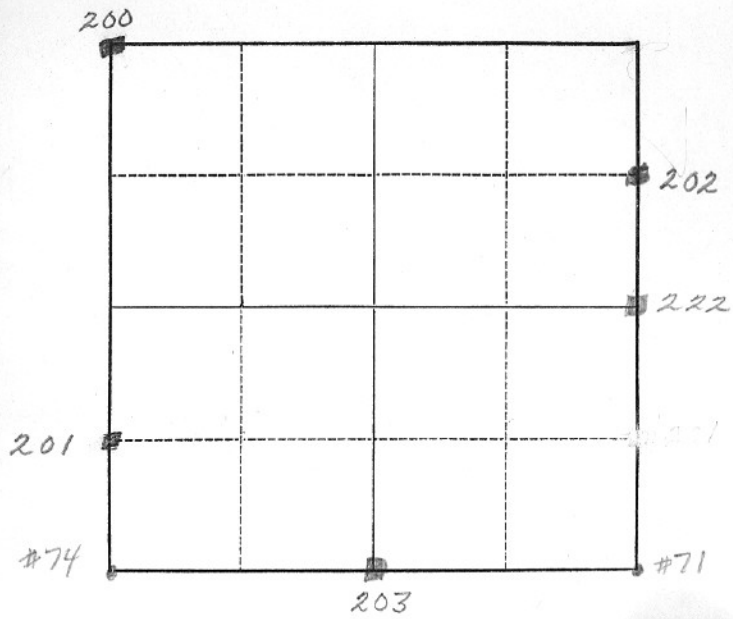


Card..... of.....

TWP. 1N, RANGE 9E E., W.M.

SECTION 9



SE Cor	#71
SW Cor	#74
N.W. Cor.	200
S $\frac{1}{16}$	201
E $\frac{1}{16}$	202
S $\frac{1}{4}$	203
E $\frac{1}{4}$	222