

NARRATIVE:

THE PURPOSE OF THIS SURVEY IS TO CREATE STAGE 2 OF "COLUMBIA CLIFFS VILLAS, A CONDOMINIUM." STAGE 2 CONTAINS 6 LIVING UNITS, 6 GARAGES AND 1 SERVICE UNIT. SEE FACE OF PLAT FOR SPECIFIC DETAILS.

THE PROPERTY BOUNDARIES WERE HELD AS CREATED BY LS 59002 AN OREGON SURVEYOR. PARCEL 1, 2 AND 3 ARE SHOWN ON HOOD RIVER COUNTY PARTITION PLAT NO. 2006-19P AS RECORDED ON JUNE 14, 2006.

MONUMENTS WHICH WERE LOST DURING CONSTRUCTION WERE REPLACED.

PLAT OF STAGE 2
COLUMBIA CLIFF VILLAS, A CONDOMINIUM,
Supplemental Plat No. 1: Annexation of Stage 2

A PORTION OF PARCEL 2 OF HOOD RIVER COUNTY PARTITION PLAT 2006-19P
LOCATED IN THE SE 1/4 OF SECTION 27,
TOWNSHIP 3 NORTH, RANGE 10 EAST, WILLAMETTE MERIDIAN,
HOOD RIVER COUNTY, OREGON.

REGISTERED
PROFESSIONAL
LAND SURVEYOR

Erik M. Carlson

OREGON
December 30, 2005
ERIK M. CARLSON
72306

Expires: December, 2009

SOUTH RIGHT OF WAY
UNION PACIFIC RAILROAD

N 89°49'28" W
242.13'
(242.13')

NOTE: CALCULATED SOUTH R/W OF
UNION PACIFIC RAILROAD AS SHOWN
ON PARTITION PLAT #2006-19P..

APPROXIMATE
LOCATION OF TOP
OF BLUFF

PARCEL 2
PARTITION PLAT 2006-19P

FOUND IRON ROD WITH CAP LS
59002. POINT WAS SET TO
REFERENCE CORNER ON SOUTH R/W
OF UNION PACIFIC RAILROAD.

INITIAL POINT

PARCEL 1
PARTITION PLAT 2006-19P



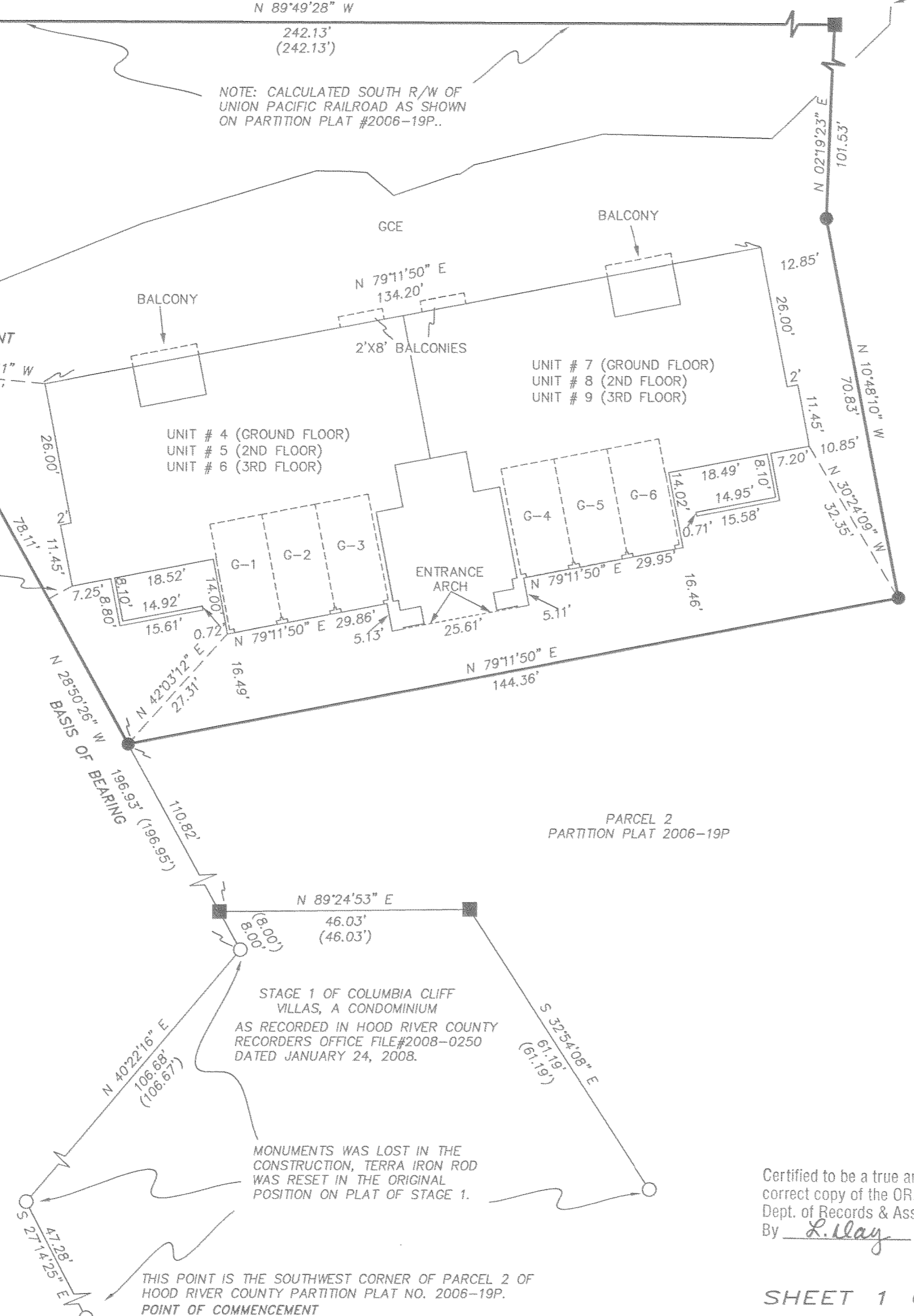
SCALE: 1"=20 FEET



BASIS OF BEARING:
HOOD RIVER COUNTY PARTITION
PLAT 2006-19P

LEGEND:

- SET 5/8" X 30" IRON ROD WITH PLASTIC CAP
- FOUND MONUMENT OF RECORD
- CALCULATED, NOT FOUND OR SET
- () DEED OR PLAT CALL
- GCE = GENERAL COMMON ELEMENT



SHEET INDEX:

- SHEET 1: PLAT BOUNDARY, VILLA UNIT LOCATIONS, NARRATIVE.
- SHEET 2: FIRST FLOOR PLAN
- SHEET 3: SECOND FLOOR PLAN
- SHEET 4: THIRD FLOOR PLAN
- SHEET 5: BASEMENT FLOOR PLAN
- SHEET 6: BUILDING SECTION PLAN
- SHEET 7: SURVEYOR'S CERTIFICATE DECLARATION AND ACKNOWLEDGMENT CERTIFICATE OF COMPLETION APPROVALS

REFERENCES:

- HOOD RIVER PARTITION PLAT NO. 2006-19P
- HOOD RIVER COUNTY SURVEY #99084
- HOOD RIVER COUNTY SURVEY #78093
- HOOD RIVER COUNTY SURVEY #78088

EXISTING EASEMENTS NOTED:

- HOOD RIVER COUNTY EASEMENT #811504 RIGHT OF WAY FOR PACIFIC POWER & LIGHT CO. THIS IS A GENERAL EASEMENT DESCRIBED AS "LYING SOUTH OF RIGHT OF WAY OF THE O.W.R & N. R.R. AND NORTH OF THE RIGHT OF WAY LINE OF THE COLUMBIA RIVER HIGHWAY"
- HOOD RIVER COUNTY EASEMENT #2006-3002 DOES NOT APPLY TO THIS PORTION OF THE PROPERTY.
- HOOD RIVER COUNTY EASEMENT #2006-4402 DOES NOT APPLY TO THIS PORTION OF THE PROPERTY.
- HOOD RIVER COUNTY EASEMENT #2006-5122, GENERAL DESCRIPTION, UNABLE TO LOCATE ON THE GROUND.

NEW EASEMENTS NOTED:

NOTE: SPECIFIC DETAILS OF EASEMENTS ARE FOUND ON RECORDED DECLARATION IN HOOD RIVER COUNTY RECORDS NO. 200801970

ARTICLE 7:

- 7.1- GENERAL EASEMENT
- 7.2- ENCROACHMENTS
- 7.5- EASEMENTS FOR DECLARANT
- 7.6- RESERVATION OF EASEMENTS FOR FUTURE DEVELOPMENT
- 7.7- INCORPORATION OF EASEMENTS IN PARTITION PLAT AND BY SEPARATE RECORDED EASEMENT AGREEMENT.

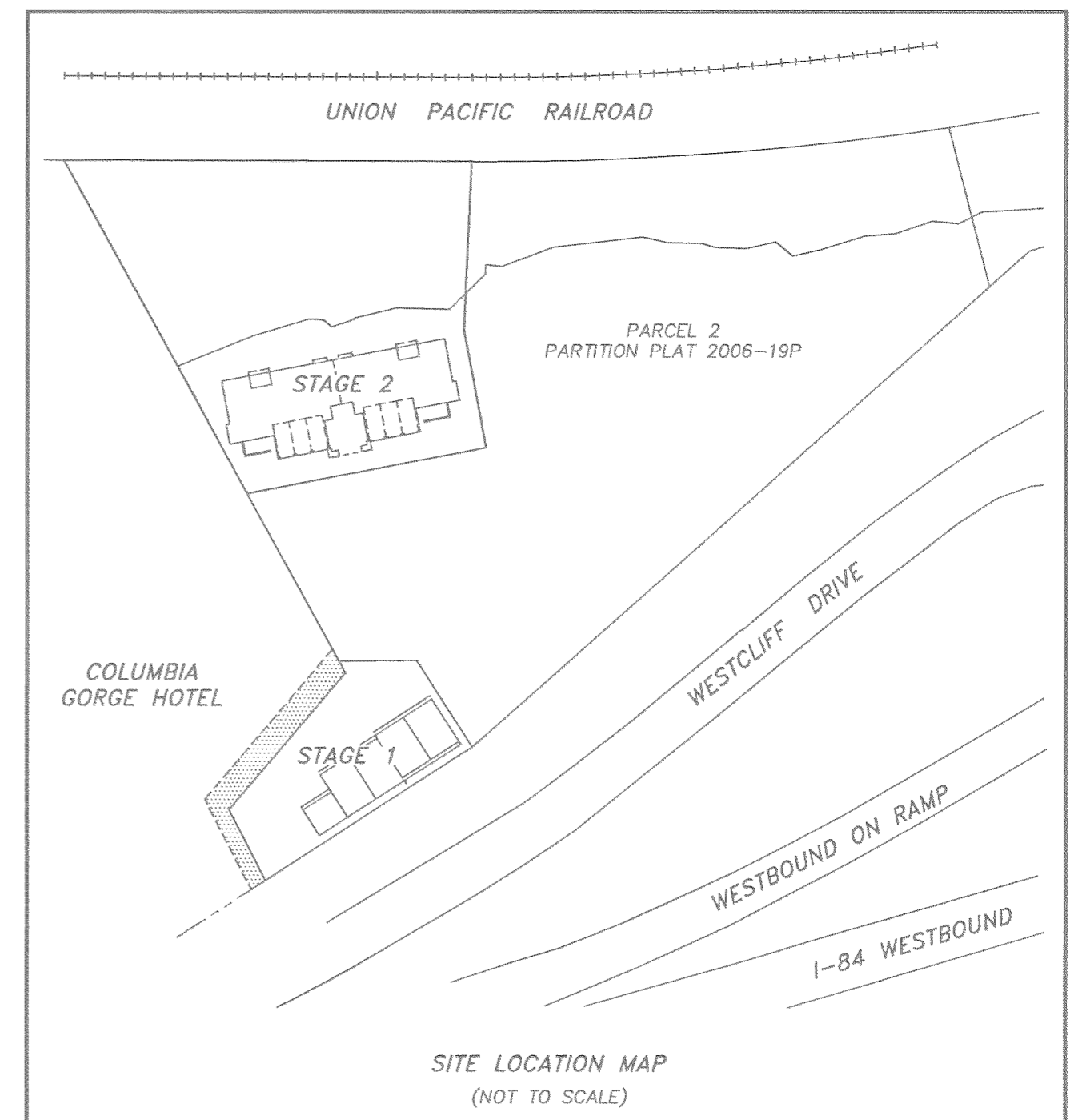
TERRA SURVEYING

DATE: APRIL 14, 2008
SCALE: 1" = 20'
PROJECT: 206025STG2
ASSESSORS MAP: 3N 10E 27D, TL 102

P.O. BOX 617
HOOD RIVER, OREGON 97031
PHONE & FAX: (541) 386-4531
terra@gorge.net

NOTE:
As per O.R.S. 92.120(3) I, Erik M. Carlson, certify this plat to be an exact copy of the original plat recorded in the county recorders office.

Certified to be a true and correct copy of the ORIGINAL Dept. of Records & Assessment By L. Hlay Deputy



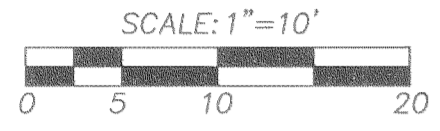
20080197-1

PLAT OF STAGE 2 COLUMBIA CLIFF VILLAS, A CONDOMINIUM, Supplemental Plat No. 1: Annexation of Stage 2

A PORTION OF PARCEL 2 OF HOOD RIVER COUNTY PARTITION PLAT
2006-19P
LOCATED IN THE SE 1/4 OF SECTION 27,
TOWNSHIP 3 NORTH, RANGE 10 EAST, WILLAMETTE MERIDIAN,
HOOD RIVER COUNTY, OREGON.

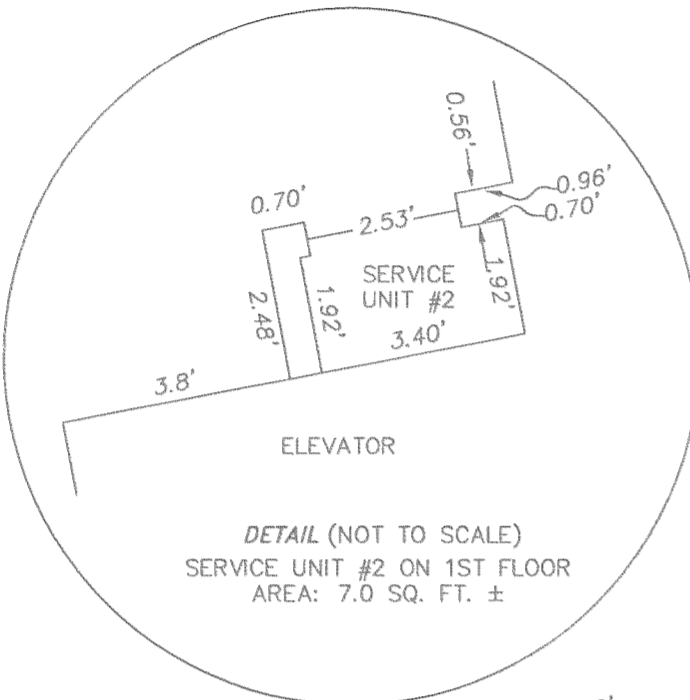
SHEET INDEX:
SHEET 1: PLAT BOUNDARY, VILLA UNIT
LOCATIONS, NARRATIVE.
SHEET 2: FIRST FLOOR PLAN
SHEET 3: SECOND FLOOR PLAN
SHEET 4: THIRD FLOOR PLAN
SHEET 5: BASEMENT FLOOR PLAN
SHEET 6: BUILDING SECTION PLAN
SHEET 7: SURVEYOR'S CERTIFICATE
DECLARATION AND
ACKNOWLEDGMENT CERTIFICATE
OF COMPLETION APPROVALS

HOOD RIVER COUNTY
SURVEYOR'S OFFICE
CS# **2008 040**
DATE FILED: **5.21.08**
BY: *Randy J. Duto*



BASIS OF BEARING:

HOOD RIVER COUNTY PARTITION PLAT #2006-19P

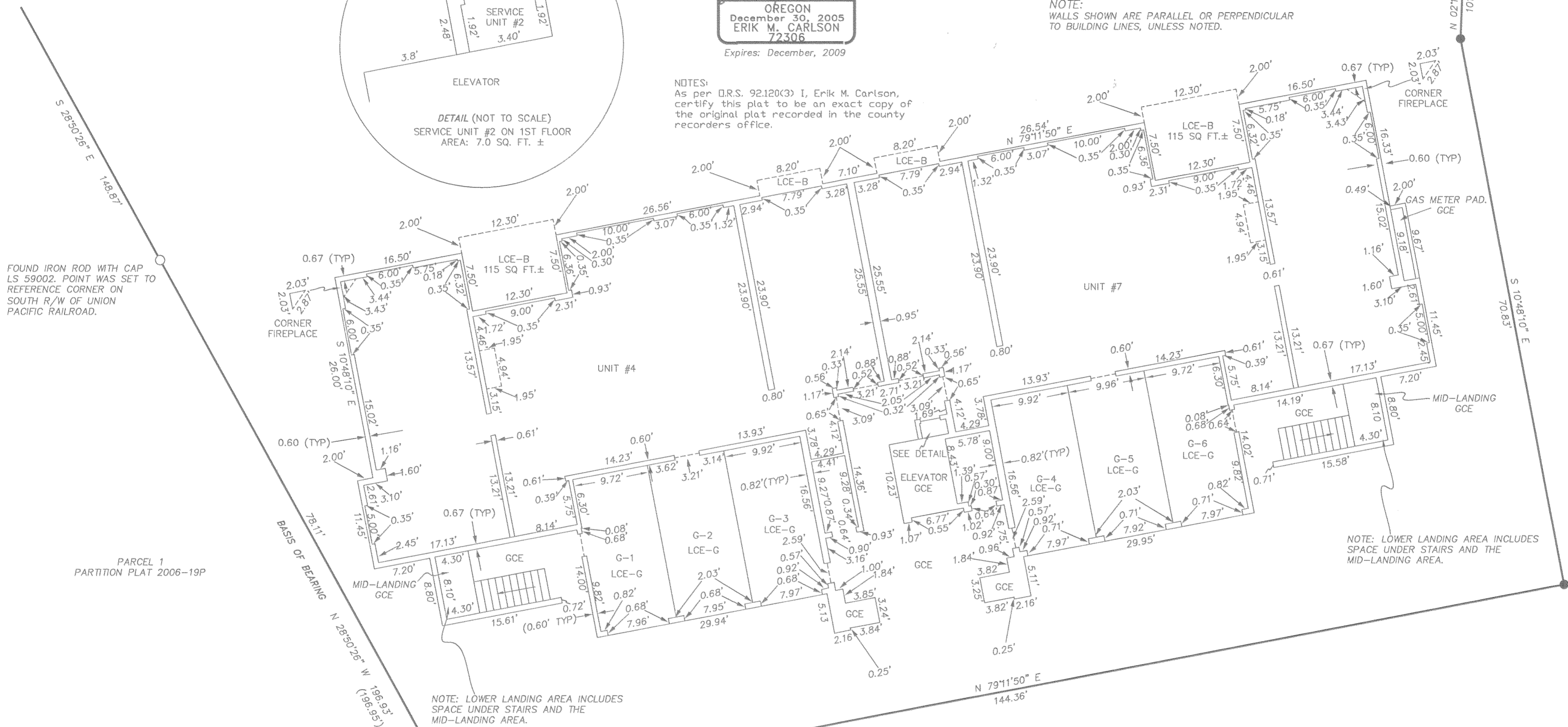


REGISTERED
PROFESSIONAL
LAND SURVEYOR

Erik M. Carlson
OREGON
December 30, 2005
ERIK M. CARLSON
72306
Expires: December, 2009

NOTE:
WALLS SHOWN ARE PARALLEL OR PERPENDICULAR
TO BUILDING LINES, UNLESS NOTED.

NOTES:
As per O.R.S. 92.120(3) I, Erik M. Carlson,
certify this plat to be an exact copy of
the original plat recorded in the county
recorders office.



FOUND IRON ROD WITH CAP
LS 59002. POINT WAS SET TO
REFERENCE CORNER ON
SOUTH R/W OF UNION
PACIFIC RAILROAD.

PARCEL 1
PARTITION PLAT 2006-19P

NOTE: LOWER LANDING AREA INCLUDES
SPACE UNDER STAIRS AND THE
MID-LANDING AREA.

NOTE: LOWER LANDING AREA INCLUDES
SPACE UNDER STAIRS AND THE
MID-LANDING AREA.

- LEGEND:**
- SET 5/8" X 30" IRON ROD WITH PLASTIC CAP
 - FOUND MONUMENT OF RECORD
 - CALCULATED, NOT FOUND OR SET
 - () DEED OR PLAT CALL
 - GCE GENERAL COMMON ELEMENT
 - LCE-G LIMITED COMMON ELEMENT GARAGE
 - LCE-B LIMITED COMMON ELEMENT BALCONY

MONUMENT WAS LOST DURING CONSTRUCTION,
RESET TERRA IRON ROD IN THE ORIGINAL
POSITION ON THE PLAT OF STAGE 1.

UNIT #	UNIT AREA	GARAGE AREA	TOTAL AREA
UNIT #4	2020 SQ. FT. ±	200 SQ. FT. ±	2220 SQ. FT. ±
UNIT #5	2435 SQ. FT. ±	200 SQ. FT. ±	2635 SQ. FT. ±
UNIT #6	2435 SQ. FT. ±	200 SQ. FT. ±	2635 SQ. FT. ±
UNIT #7	2020 SQ. FT. ±	200 SQ. FT. ±	2220 SQ. FT. ±
UNIT #8	2435 SQ. FT. ±	200 SQ. FT. ±	2635 SQ. FT. ±
UNIT #9	2435 SQ. FT. ±	200 SQ. FT. ±	2635 SQ. FT. ±
SERVICE UNIT #2 FIRST FLOOR	7.0 SQ. FT. ±	N/A	22 SQ. FT. ± (FLOORS 1-3)
SERVICE UNIT #2 SECOND FLOOR	7.5 SQ. FT. ±		
SERVICE UNIT #2 THIRD FLOOR	7.5 SQ. FT. ±		

1ST FLOOR
SHEET 2 OF 7

TERRA SURVEYING
DATE: APRIL 14, 2008
SCALE: 1" = 10'
PROJECT: 206025STG2
ASSESSORS MAP: 3N 10E 27D, TL 102
P.O. BOX 617
HOOD RIVER, OREGON 97031
PHONE & FAX: (541) 386-4531
E-Mail: terra@gorge.net

RECEIVED MAY 19 2008 15:00

CS 2008 040-2

**PLAT OF STAGE 2
COLUMBIA CLIFF VILLAS, A CONDOMINIUM,
Supplemental Plat No. 1: Annexation of Stage 2**

A PORTION OF PARCEL 2 OF HOOD RIVER COUNTY PARTITION PLAT
2006-19P

LOCATED IN THE SE 1/4 OF SECTION 27,
TOWNSHIP 3 NORTH, RANGE 10 EAST, WILLAMETTE MERIDIAN,
HOOD RIVER COUNTY, OREGON.

SHEET INDEX:

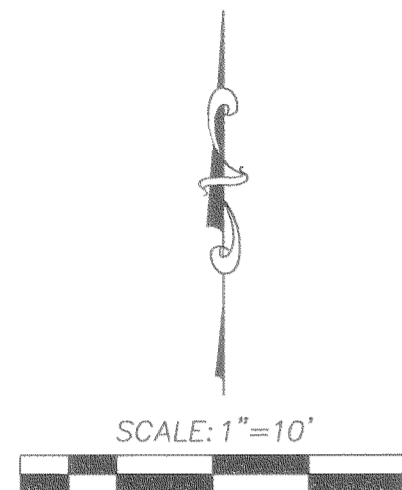
- SHEET 1: PLAT BOUNDARY, VILLA UNIT LOCATIONS, NARRATIVE.
- SHEET 2: FIRST FLOOR PLAN
- SHEET 3: SECOND FLOOR PLAN
- SHEET 4: THIRD FLOOR PLAN
- SHEET 5: BASEMENT FLOOR PLAN
- SHEET 6: BUILDING SECTION PLAN
- SHEET 7: SURVEYOR'S CERTIFICATE OF COMPLETION APPROVALS

HOOD RIVER COUNTY
SURVEYOR'S OFFICE

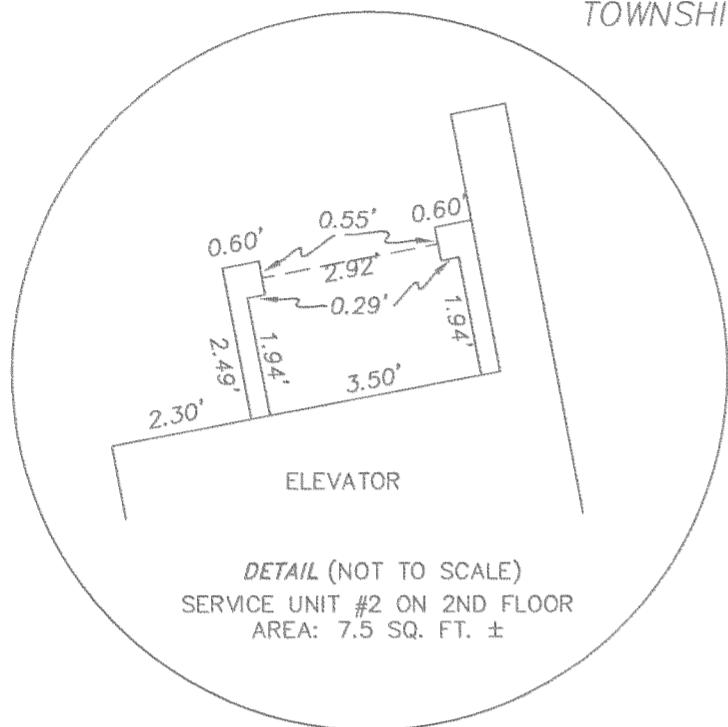
CS# **2008 040**

DATE FILED: **5.21.08**

BY: *Randy Roberts*



BASIS OF BEARING:
HOOD RIVER COUNTY PARTITION PLAT #2006-19P

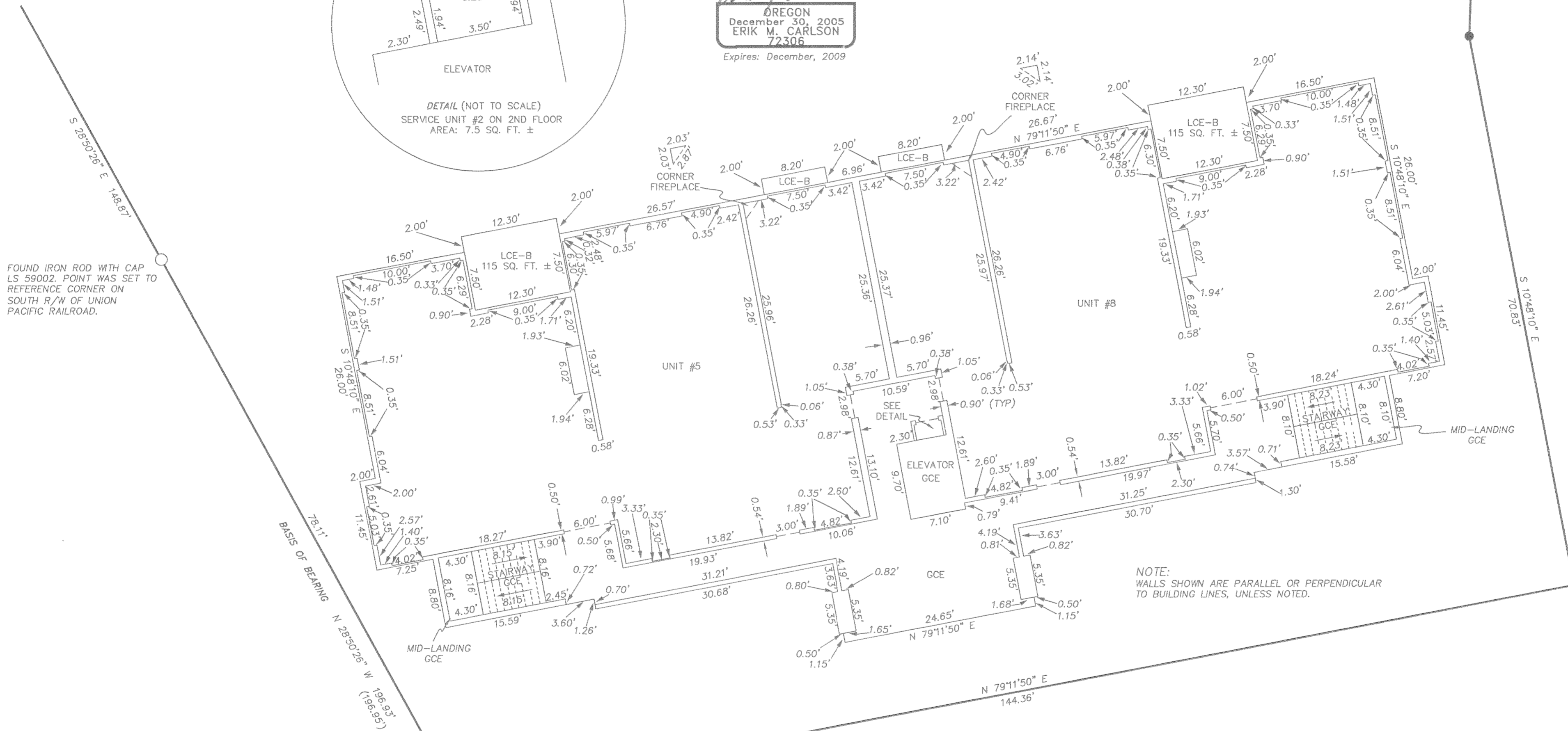


REGISTERED
PROFESSIONAL
LAND SURVEYOR

OREGON
December 30, 2005
ERIK M. CARLSON
72306

Expires: December, 2009

NOTES:
As per O.R.S. 92.120(3) I, Erik M. Carlson,
certify this plat to be an exact copy of
the original plat recorded in the county
recorders office.



FOUND IRON ROD WITH CAP
LS 59002. POINT WAS SET TO
REFERENCE CORNER ON
SOUTH R/W OF UNION
PACIFIC RAILROAD.

NOTE:
WALLS SHOWN ARE PARALLEL OR PERPENDICULAR
TO BUILDING LINES, UNLESS NOTED.

- LEGEND:**
- SET 5/8" X 30" IRON ROD WITH PLASTIC CAP
 - FOUND MONUMENT OF RECORD
 - CALCULATED, NOT FOUND OR SET
 - () DEED OR PLAT CALL
 - GCE GENERAL COMMON ELEMENT
 - LCE-B LIMITED COMMON ELEMENT BALCONY

MONUMENT WAS LOST DURING CONSTRUCTION,
RESET TERRA IRON ROD IN THE ORIGINAL
POSITION ON THE PLAT OF STAGE 1.

NOTE:
SEE PAGE 2 FOR AREA TABLE.

TERRA SURVEYING

DATE: APRIL 14, 2008
SCALE: 1" = 10'
PROJECT: 206025STG2
ASSESSOR'S MAP: 3N 10E 27D, TL 102
P.O. BOX 617
HOOD RIVER, OREGON 97031
PHONE & FAX: (541) 386-4531
E-Mail: terra@gorge.net

**2ND FLOOR
SHEET 3 OF 7**

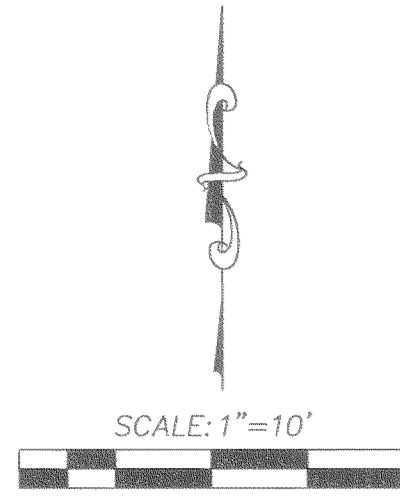
CS 2008 040 3

PLAT OF STAGE 2
COLUMBIA CLIFF VILLAS, A CONDOMINIUM,
Supplemental Plat No. 1: Annexation of Stage 2

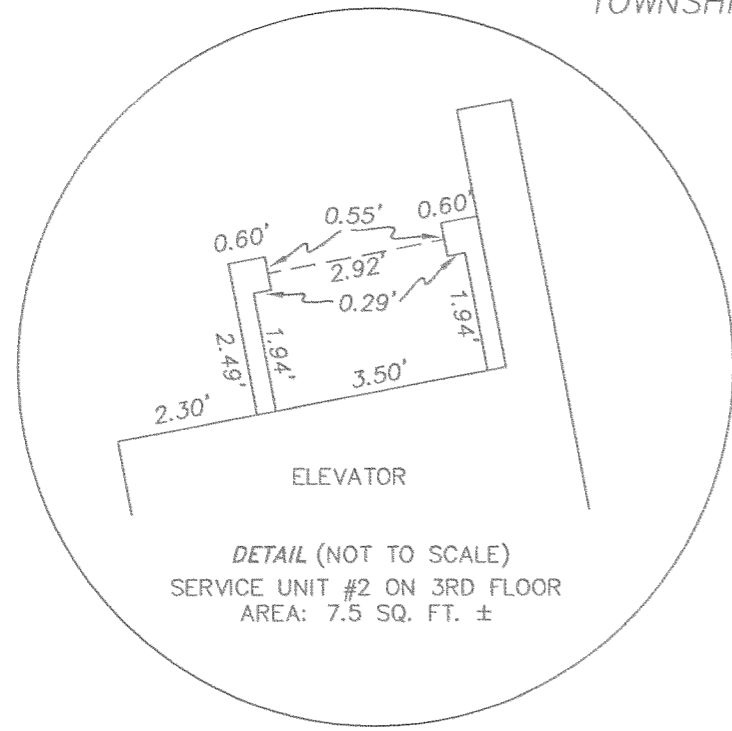
A PORTION OF PARCEL 2 OF HOOD RIVER COUNTY PARTITION PLAT
 2006-19P
 LOCATED IN THE SE 1/4 OF SECTION 27,
 TOWNSHIP 3 NORTH, RANGE 10 EAST, WILLAMETTE MERIDIAN,
 HOOD RIVER COUNTY, OREGON.

SHEET INDEX:
 SHEET 1: PLAT BOUNDARY, VILLA UNIT LOCATIONS, NARRATIVE.
 SHEET 2: FIRST FLOOR PLAN
 SHEET 3: SECOND FLOOR PLAN
 SHEET 4: THIRD FLOOR PLAN
 SHEET 5: BASEMENT FLOOR PLAN
 SHEET 6: BUILDING SECTION PLAN
 SHEET 7: SURVEYOR'S CERTIFICATE DECLARATION AND ACKNOWLEDGMENT CERTIFICATE OF COMPLETION APPROVALS

HOOD RIVER COUNTY
 SURVEYOR'S OFFICE
 CS# **2008 040**
 DATE FILED: **5.21-08**
 BY: *[Signature]*



BASIS OF BEARING:
 HOOD RIVER COUNTY PARTITION PLAT #2006-19P

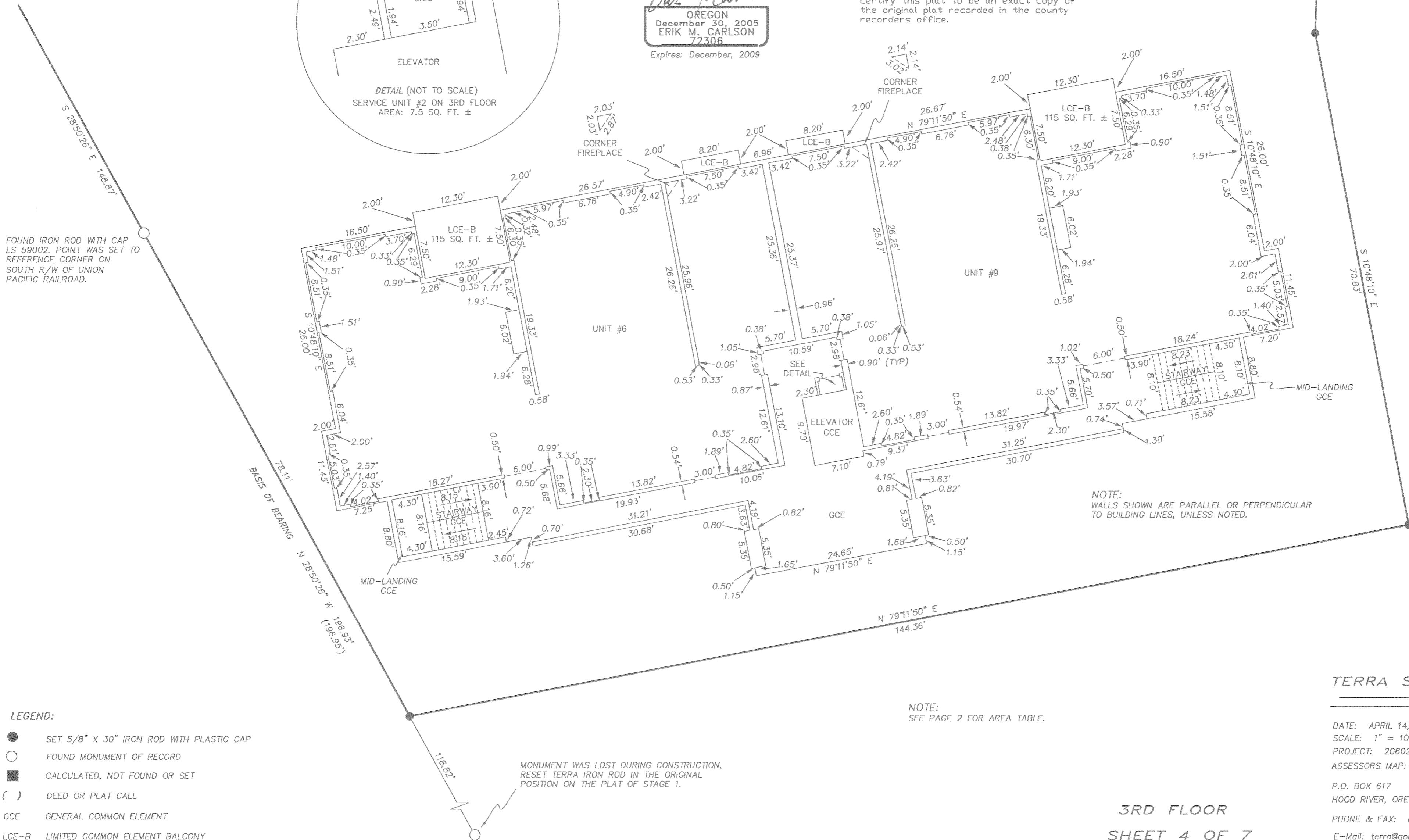


REGISTERED
 PROFESSIONAL
 LAND SURVEYOR

OREGON
 December 30, 2005
 ERIK M. CARLSON
 72306

Expires: December, 2009

NOTES:
 As per O.R.S. 92.120(3) I, Erik M. Carlson, certify this plat to be an exact copy of the original plat recorded in the county recorders office.



FOUND IRON ROD WITH CAP LS 59002. POINT WAS SET TO REFERENCE CORNER ON SOUTH R/W OF UNION PACIFIC RAILROAD.

NOTE:
 WALLS SHOWN ARE PARALLEL OR PERPENDICULAR TO BUILDING LINES, UNLESS NOTED.

- LEGEND:**
- SET 5/8" X 30" IRON ROD WITH PLASTIC CAP
 - FOUND MONUMENT OF RECORD
 - CALCULATED, NOT FOUND OR SET
 - () DEED OR PLAT CALL
 - GCE GENERAL COMMON ELEMENT
 - LCE-B LIMITED COMMON ELEMENT BALCONY

MONUMENT WAS LOST DURING CONSTRUCTION, RESET TERRA IRON ROD IN THE ORIGINAL POSITION ON THE PLAT OF STAGE 1.

NOTE:
 SEE PAGE 2 FOR AREA TABLE.

3RD FLOOR
SHEET 4 OF 7

TERRA SURVEYING
 DATE: APRIL 14, 2008
 SCALE: 1" = 10'
 PROJECT: 206025STG2
 ASSESSORS MAP: 3N 10E 27D, TL 102
 P.O. BOX 617
 HOOD RIVER, OREGON 97031
 PHONE & FAX: (541) 386-4531
 E-Mail: terra@gorge.net

CS 2008 040-4

PLAT OF STAGE 2
COLUMBIA CLIFF VILLAS, A CONDOMINIUM,
Supplemental Plat No. 1: Annexation of Stage 2

A PORTION OF PARCEL 2 OF HOOD RIVER COUNTY PARTITION PLAT
 2006-19P
 LOCATED IN THE SE 1/4 OF SECTION 27,
 TOWNSHIP 3 NORTH, RANGE 10 EAST, WILLAMETTE MERIDIAN,
 HOOD RIVER COUNTY, OREGON.

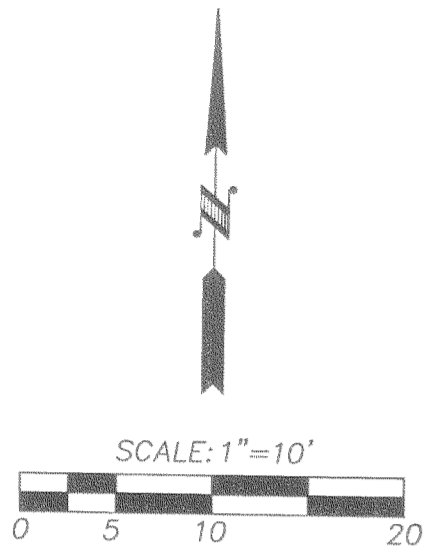
SHEET INDEX:
 SHEET 1: PLAT BOUNDARY, VILLA UNIT LOCATIONS,
 NARRATIVE.
 SHEET 2: FIRST FLOOR PLAN
 SHEET 3: SECOND FLOOR PLAN
 SHEET 4: THIRD FLOOR PLAN
 SHEET 5: BASEMENT FLOOR PLAN
 SHEET 6: BUILDING SECTION PLAN
 SHEET 7: SURVEYOR'S CERTIFICATE DECLARATION AND
 ACKNOWLEDGMENT CERTIFICATE OF
 COMPLETION APPROVALS

HOOD RIVER COUNTY
 SURVEYOR'S OFFICE

CS# 2008 040

DATE FILED: 5.21.08

BY: *Erik M. Carlson*



BASIS OF BEARING:

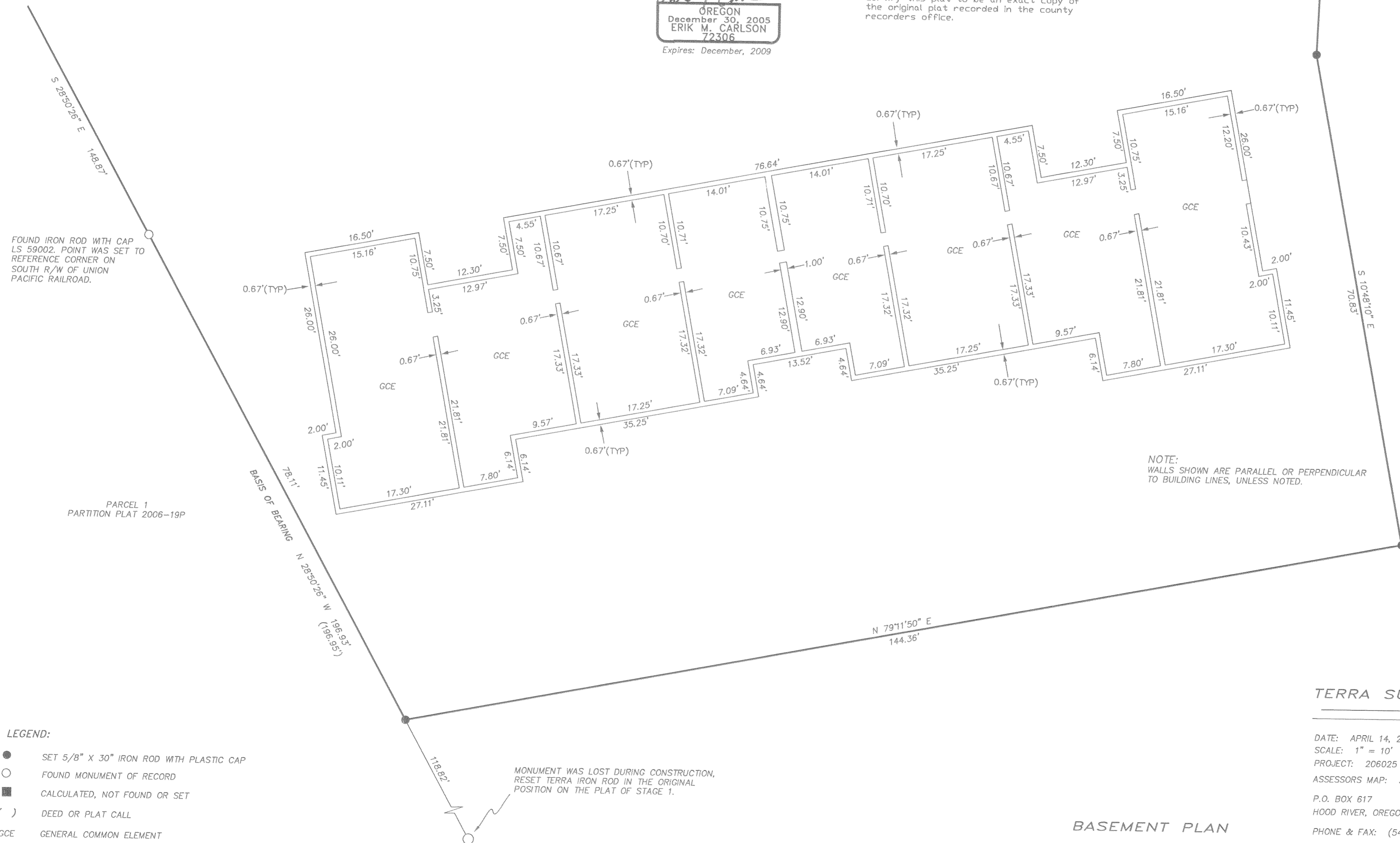
HOOD RIVER COUNTY PARTITION PLAT #2006-19P

REGISTERED
 PROFESSIONAL
 LAND SURVEYOR

Erik M. Carlson
 OREGON
 December 30, 2005
 ERIK M. CARLSON
 72306

Expires: December, 2009

NOTES:
 As per O.R.S. 92.120(3) I, Erik M. Carlson,
 certify this plat to be an exact copy of
 the original plat recorded in the county
 recorders office.



- LEGEND:**
- SET 5/8" X 30" IRON ROD WITH PLASTIC CAP
 - FOUND MONUMENT OF RECORD
 - CALCULATED, NOT FOUND OR SET
 - () DEED OR PLAT CALL
 - GCE GENERAL COMMON ELEMENT

TERRA SURVEYING

DATE: APRIL 14, 2008
 SCALE: 1" = 10'
 PROJECT: 206025
 ASSESSORS MAP: 3N 10E 27D, TL 102
 P.O. BOX 617
 HOOD RIVER, OREGON 97031
 PHONE & FAX: (541) 386-4531
 E-Mail: terra@gorge.net

BASEMENT PLAN
SHEET 5 OF 7

CS 2008 040-5

LEGEND:

GCE = GENERAL COMMON ELEMENT
 TYP. = TYPICAL MEASUREMENT

**PLAT OF STAGE 2
 COLUMBIA CLIFF VILLAS, A CONDOMINIUM,
 Supplemental Plat No. 1: Annexation of Stage 2**

A PORTION OF PARCEL 2 OF HOOD RIVER COUNTY PARTITION PLAT
 2006-19P
 LOCATED IN THE SE 1/4 OF SECTION 27,
 TOWNSHIP 3 NORTH, RANGE 10 EAST, WILLAMETTE MERIDIAN,
 HOOD RIVER COUNTY, OREGON.

SHEET INDEX:

SHEET 1: PLAT BOUNDARY, VILLA UNIT LOCATIONS, NARRATIVE.
 SHEET 2: FIRST FLOOR PLAN
 SHEET 3: SECOND FLOOR PLAN
 SHEET 4: THIRD FLOOR PLAN
 SHEET 5: BASEMENT FLOOR PLAN
 SHEET 6: BUILDING SECTION PLAN
 SHEET 7: SURVEYOR'S CERTIFICATE DECLARATION AND ACKNOWLEDGMENT CERTIFICATE OF COMPLETION APPROVALS

HOOD RIVER COUNTY
 SURVEYOR'S OFFICE

CS# **2008 040**

DATE FILED: **5.21.08**

BY: *Randy Tolant*

REGISTERED
 PROFESSIONAL
 LAND SURVEYOR

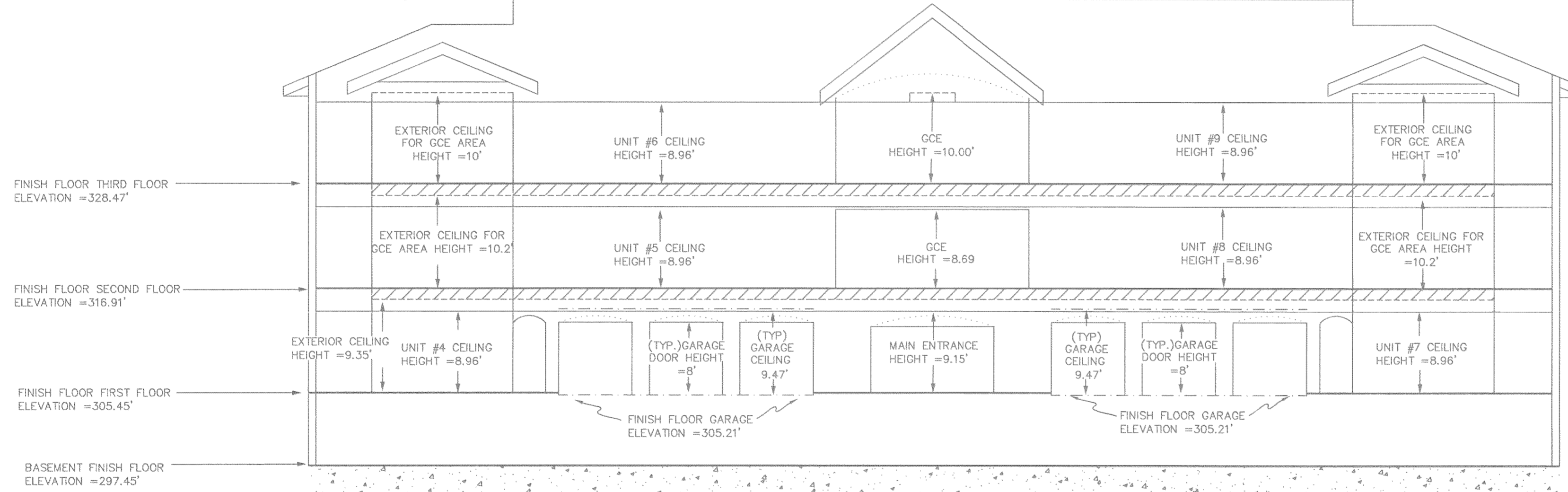
Erik M. Carlson

OREGON
 December 30, 2005
 ERIK M. CARLSON
 72306

Expires: December, 2009

NOTES:
 As per O.R.S. 92.120(3) I, Erik M. Carlson, certify this plat to be an exact copy of the original plat recorded in the county recorders office.

HIGHEST ROOF LINE
 ELEVATION = 348.73'±

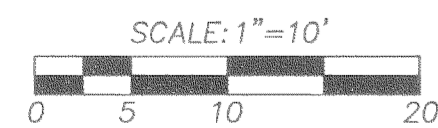


NOTE:
 WALLS SHOWN ARE PARALLEL OR PERPENDICULAR TO THE BUILDING LINES, UNLESS NOTED.

ELEVATED VIEW: LOOKING NORTH

BASIS OF BEARING:
 HOOD RIVER COUNTY PARTITION PLAT #2006 19P

VERTICAL DATUM:
 U.S.G.S STATION PONDER-2
 N.A.D 1983 (1998 ADJUSTMENT)
 LATITUDE = 45°42'39.37105" (N)
 LONGITUDE = 121°32'59.76083" (W)
 ORTHOMETRIC HEIGHT OF 102.638 METERS (336.74')
 N.A.V.D. 1988 USING THE 1999 GEOID FOR THE U.S.



TERRA SURVEYING

DATE: APRIL 14, 2008
 SCALE: 1" = 10'
 PROJECT: 206025

P.O. BOX 617
 HOOD RIVER, OREGON 97031
 PHONE & FAX: (541) 386-4531
 E-Mail: terra@gorge.net

**BUILDING SECTION PLAN
 SHEET 6 OF 7**

CS 2008 040-6

**PLAT OF STAGE 2
COLUMBIA CLIFF VILLAS, A CONDOMINIUM,
Supplemental Plat No. 1: Annexation of Stage 2**

A PORTION OF PARCEL 2 OF HOOD RIVER COUNTY PARTITION
PLAT 2006-19P
LOCATED IN THE SE 1/4 OF SECTION 27,
TOWNSHIP 3 NORTH, RANGE 10 EAST, WILLAMETTE MERIDIAN,
HOOD RIVER COUNTY, OREGON.

HOOD RIVER COUNTY
SURVEYOR'S OFFICE

CS# 2008 040

DATE FILED: 5/21/08

BY: Randy Salato

SURVEYOR'S CERTIFICATE:

I, ERIK M. CARLSON, CERTIFY THAT I HAVE CORRECTLY SURVEYED AND MARKED WITH PROPER MONUMENTS THE LAND REPRESENTED AS STAGE 2 ON THE PLAT OF "COLUMBIA CLIFF VILLAS, A CONDOMINIUM", SAID LAND BEING DESCRIBED AS FOLLOWS:

COMMENCING AT THE SOUTHWEST CORNER OF PARCEL 2 OF HOOD RIVER COUNTY PARTITION PLAT NO. 2006-19P, LOCATED IN THE SOUTHEAST QUARTER OF SECTION 27, TOWNSHIP 3 NORTH, RANGE 10 EAST OF THE WILLAMETTE MERIDIAN, HOOD RIVER COUNTY AND STATE OF OREGON AS RECORDED IN HOOD RIVER COUNTY RECORDS; THENCE N(NORTH) 27°14'25"W (WEST) A DISTANCE OF 47.28 FEET TO A 5/8" IRON ROD WITH CAP MARKED L.S. 72306; THENCE N 40°22'16" E (EAST) A DISTANCE OF 106.68 FEET TO A 5/8" IRON ROD WITH CAP MARKED L.S. 72306; THENCE N 28°50'26" W A DISTANCE OF 118.82 FEET TO THE POINT OF BEGINNING OF THIS DESCRIPTION. THENCE CONTINUING N 28°50'26" W A DISTANCE OF 78.11 FEET TO A 5/8" IRON ROD WITH CAP MARKED L.S.59002 SAID POINT BEING A REFERENCE MONUMENT FOR THE NORTHWEST CORNER OF SAID PARCEL 2; THENCE CONTINUING ALONG LAST MENTIONED BEARING A DISTANCE OF 148.87 FEET TO THE SOUTH RIGHT OF WAY OF THE UNION PACIFIC RAILROAD. THENCE S 89°49'28" E ALONG SAID SOUTH RIGHT OF WAY A DISTANCE OF 242.13 FEET; THENCE S 02°19'23" W A DISTANCE OF 101.53 FEET TO A POINT; THENCE S 10°48'10" E A DISTANCE OF 70.83 FEET TO A POINT; THENCE S 79°11'50" W A DISTANCE OF 144.36 FEET TO THE POINT OF BEGINNING.

CONTAINS 0.8 ACRES, MORE OR LESS.

APPROVALS:

THE PLAT OF "COLUMBIA CLIFF VILLAS, A CONDOMINIUM, STAGE 2" WAS EXAMINED AND APPROVED BY ME THIS 15th DAY, OF MAY, 2008
David H. Bird
CITY OF HOOD RIVER ENGINEER

THE PLAT OF "COLUMBIA CLIFF VILLAS, A CONDOMINIUM, STAGE 2" WAS EXAMINED AND APPROVED BY ME THIS 16th DAY, OF MAY, 2008
M. Benedict
HOOD RIVER COUNTY PLANNING DIRECTOR

THE PLAT OF "COLUMBIA CLIFF VILLAS, A CONDOMINIUM, STAGE 2" WAS EXAMINED AND APPROVED BY ME THIS 14th DAY, OF MAY, 2008
Dean B. Sueser
HOOD RIVER COUNTY DIRECTOR OF PUBLIC WORKS

THE PLAT OF "COLUMBIA CLIFF VILLAS, A CONDOMINIUM, STAGE 2" WAS EXAMINED AND APPROVED BY ME THIS 14th DAY, OF MAY, 2008
Randy Salato
HOOD RIVER COUNTY SURVEYOR

THE PLAT OF "COLUMBIA CLIFF VILLAS, A CONDOMINIUM, STAGE 2" WAS EXAMINED AND APPROVED BY ME THIS 16 DAY, OF MAY, 2008
Josh Hays
HOOD RIVER COUNTY RECORDER

THE PLAT OF "COLUMBIA CLIFF VILLAS, A CONDOMINIUM, STAGE 2" WAS EXAMINED AND APPROVED BY ME THIS 17 DAY, OF MAY, 2008
Mal T. Be
ICE FOUNTAIN WATER DISTRICT

THE PLAT OF "COLUMBIA CLIFF VILLAS, A CONDOMINIUM, STAGE 2" WAS EXAMINED AND APPROVED BY ME THIS 14 DAY, OF MAY, 2008
Josh Hays
WEST SIDE RURAL FIRE PROTECTION DISTRICT

THE PLAT OF "COLUMBIA CLIFF VILLAS, A CONDOMINIUM, STAGE 2" WAS EXAMINED AND APPROVED BY ME THIS 14 DAY, OF MAY, 2008
J M Brook
FARMERS IRRIGATION DISTRICT

THE DIRECTOR OF RECORDS AND ASSESSMENTS, AND THE DIRECTOR OF BUDGET, FINANCE AND TAX COLLECTOR, RESPECTIVELY, OF HOOD RIVER COUNTY, OREGON, HEREBY CERTIFY THAT WE HAVE EXAMINED THE PLAT OF "COLUMBIA CLIFF VILLAS, A CONDOMINIUM, STAGE 2", IN COUNTY OF HOOD RIVER AND THAT THE NAME ADOPTED FOR SAID PLAT IS A PROPER NAME AND NOT INCLUDED IN ANY OTHER CONDOMINIUM IN HOOD RIVER COUNTY, AND FURTHER CERTIFY THAT ALL ASSESSMENTS DUE HERON HAVE BEEN FULLY PAID AS REQUIRED BY LAW AND WE HEREBY APPROVE SAID PLAT.

Dorinda E Berry
HOOD RIVER COUNTY DIRECTOR OF RECORDS AND ASSESSMENTS

Dorinda A. Borow
HOOD RIVER COUNTY DIRECTOR OF BUDGET FINANCE & TAX COLLECTOR

FILED FOR RECORD THIS _____ DAY OF _____, 2008.

HOOD RIVER COUNTY DIRECTOR OF RECORDS AND ASSESSMENTS

REGISTERED
PROFESSIONAL
LAND SURVEYOR

OREGON
December 30, 2005
ERIK M. CARLSON
72306

Expires: December, 2009

NOTES:

As per O.R.S. 92.120(3) I, Erik M. Carlson, certify this plat to be an exact copy of the original plat recorded in the county recorders office.

CERTIFICATE OF COMPLETION:

I, ERIK M. CARLSON, A REGISTERED PROFESSIONAL LAND SURVEYOR, DOES HEREBY CERTIFY THAT THE PLAT OF "COLUMBIA CLIFF VILLAS, A CONDOMINIUM, STAGE 2" FULLY AND ACCURATELY DEPICTS THE BOUNDARIES OF THE UNITS AND OF THE BUILDINGS, AND THAT CONSTRUCTION OF THE UNITS AND BUILDINGS, AS DEPICTED ON SUCH PLAT, HAS BEEN COMPLETED.

DATED THIS 13th DAY OF May, 2008
Erik M. Carlson
ERIK M. CARLSON
REGISTERED PROFESSIONAL LAND SURVEYOR, LS 72306

ACKNOWLEDGMENT:

STATE OF OREGON)
)SS.
COUNTY OF HOOD RIVER)

THIS IS TO CERTIFY THAT ON THIS 13th DAY OF May, 2008 BEFORE ME A NOTARY PUBLIC IN AND FOR SAID STATE AND COUNTY, PERSONALLY APPEARED STEVE TESSMER, WHO DID SAY THAT HE IS THE IDENTICAL PERSON NAMED IN THE FOREGOING INSTRUMENT, AND THAT SAID INSTRUMENT WAS EXECUTED AS A REPRESENTATIVE OF AERIE DEVELOPMENT, LLC, AND THAT HE EXECUTED SAID INSTRUMENT FREELY AND VOLUNTARILY.

Maureen J. Carlson
NOTARY SIGNATURE

Nancy J. Carlson
NOTARY PUBLIC-OREGON

COMMISSION NO. 411534

MY COMMISSION EXPIRES 11/2/2010

DECLARATION:

KNOW ALL PEOPLE BY THESE PRESENT THAT AERIE DEVELOPMENT, LLC, AN OREGON LIMITED LIABILITY COMPANY, HEREBY DECLARES THAT THE PLAT OF "COLUMBIA CLIFF VILLAS, A CONDOMINIUM, STAGE 2", AS DESCRIBED IN THE ACCOMPANYING SURVEYOR'S CERTIFICATE, TO BE A TRUE AND CORRECT MAP AND PLAT THEREOF, AND HEREBY COMMITS SAID LAND TO THE OPERATION AND PROVISIONS OF THE OREGON CONDOMINIUM ACT. THE PROPERTY AND IMPROVEMENTS DEPICTED ON THE PLAT ARE SUBJECT TO THE PROVISIONS OF OREGON REVISED STATUTES 100.005 TO 100.625.

AERIE DEVELOPMENT, LLC, AN OREGON LIMITED LIABILITY COMPANY

BY: Steve Tessmer
STEVE TESSMER, MANAGING MEMBER

SUPPLEMENTAL DECLARATION OF "COLUMBIA CLIFF VILLAS, A CONDOMINIUM, STAGE 2"
RECORDED IN HOOD RIVER COUNTY RECORDS DOCUMENT NO. 200801970

SHEET INDEX:

- SHEET 1: PLAT BOUNDARY, VILLA UNIT LOCATIONS, NARRATIVE.
- SHEET 2: FIRST FLOOR PLAN
- SHEET 3: SECOND FLOOR PLAN
- SHEET 4: THIRD FLOOR PLAN
- SHEET 5: BASEMENT FLOOR PLAN
- SHEET 6: BUILDING SECTION PLAN
- SHEET 7: SURVEYOR'S CERTIFICATE DECLARATION AND ACKNOWLEDGMENT CERTIFICATE OF COMPLETION APPROVALS

TERRA SURVEYING

DATE: APRIL 14, 2008
SCALE: 1" = 40'
PROJECT: 206025
ASSESSORS MAP: 3N 10E 27D, TAX LOT 102
P.O. BOX 617
HOOD RIVER, OREGON 97031
PHONE & FAX: (541) 386-4531
E-Mail: terra@gorge.net